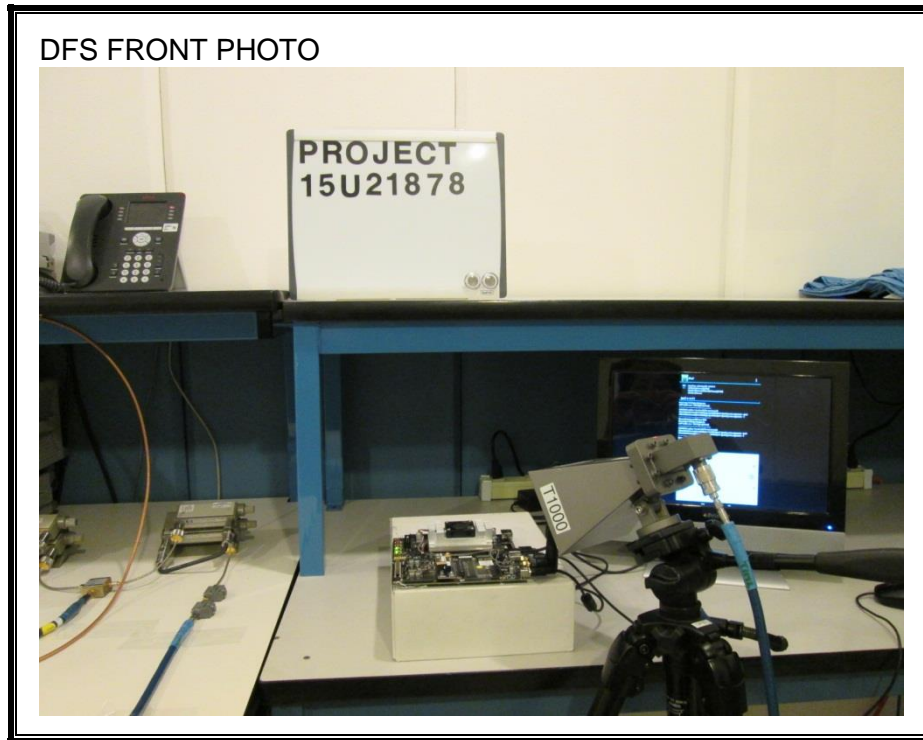
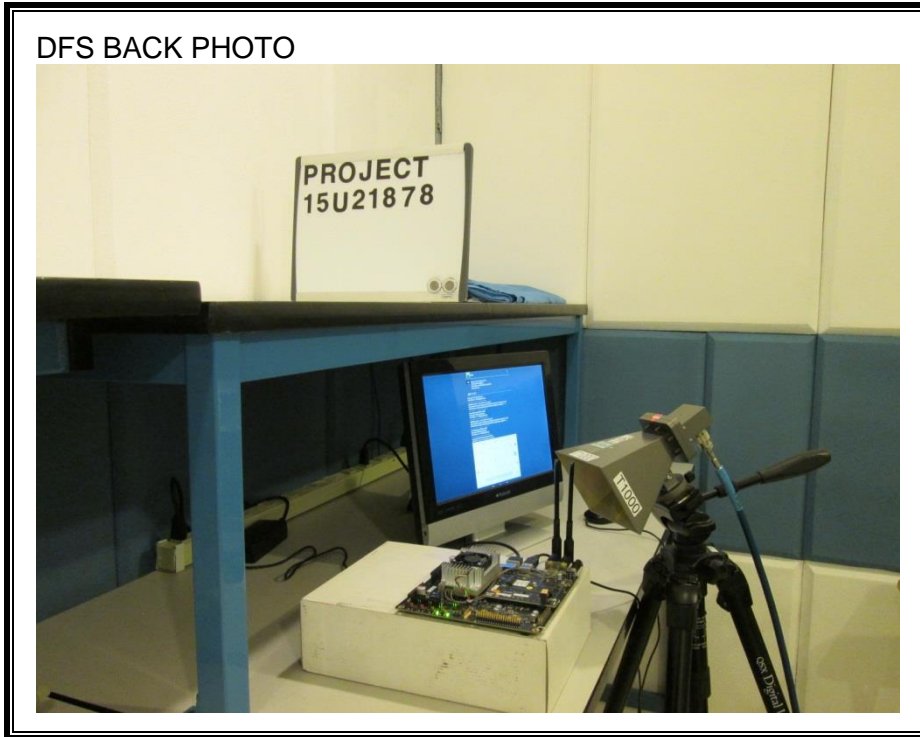


6. SETUP PHOTOS

DYNAMIC FREQUENCY SELECTION MEASUREMENT SETUP



DFS BACK PHOTO



7. EUT PHOTOS

P2180 Photographs

Top View



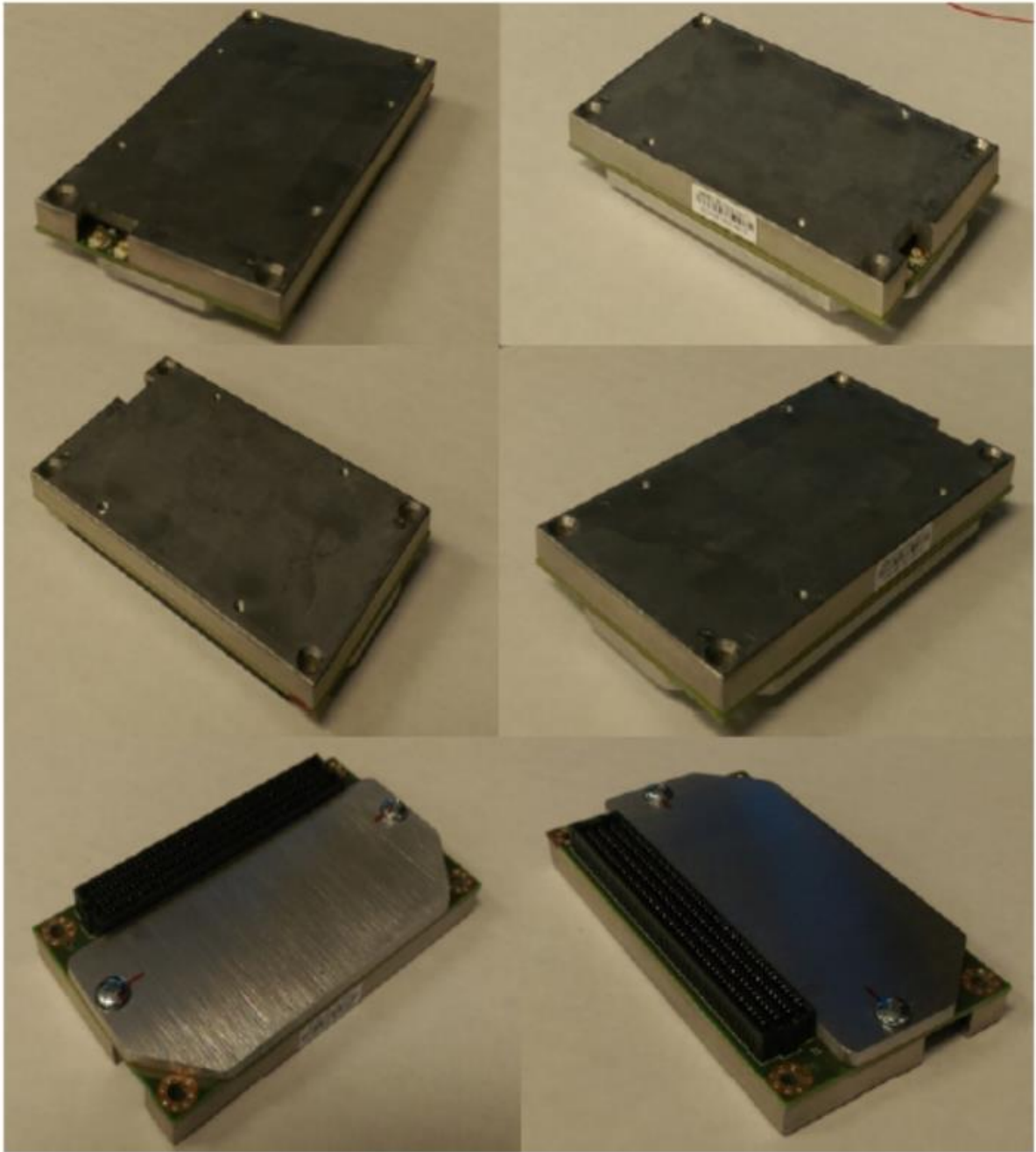
Bottom View



Side View



Side View (Continued)



PCB View

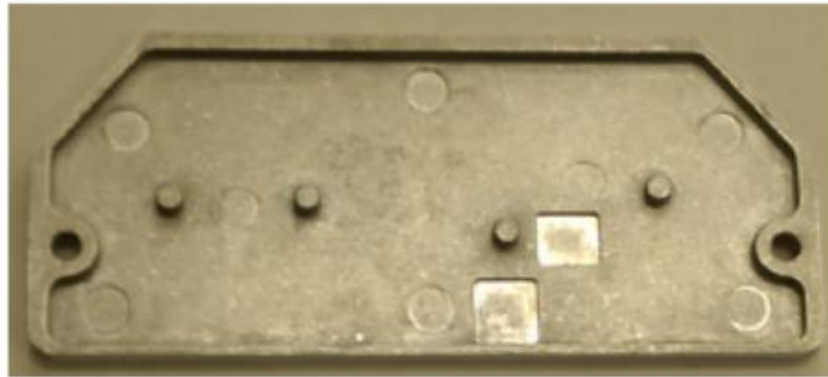
Top View



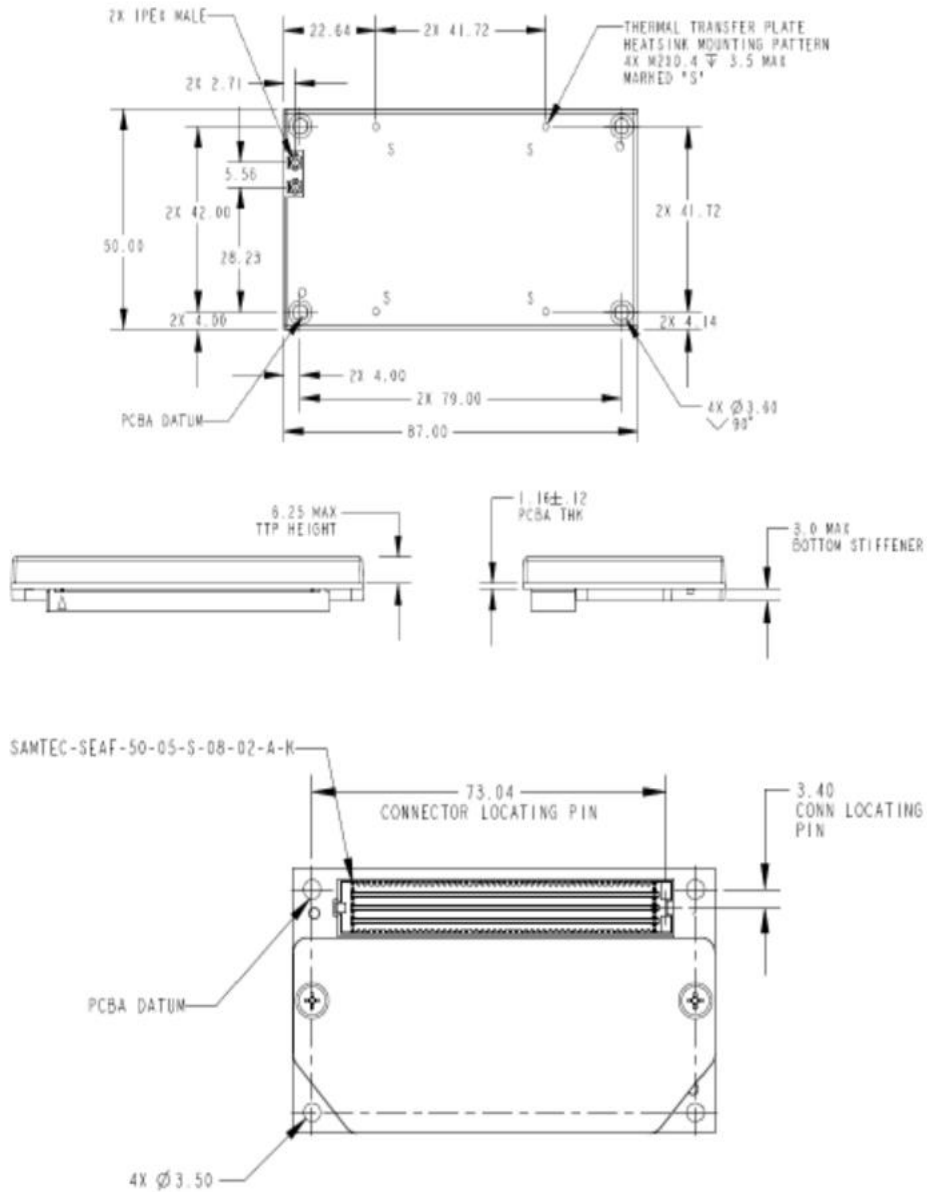
Bottom View



Heat Sink Internal View



Mechanical Drawing



END OF REPORT