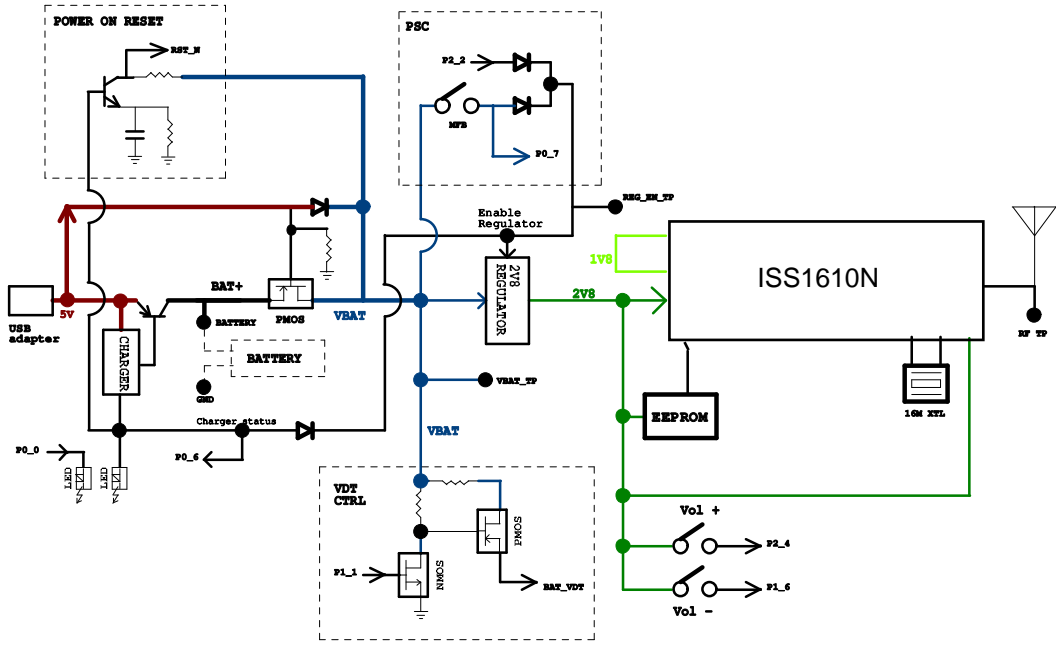


POWER TREE



ISSC		
Board Name	BACH	Rev
Rev	C	1.0
POWER TREE		
Date	Monday, February 24, 2009	Sheet 4 of 7