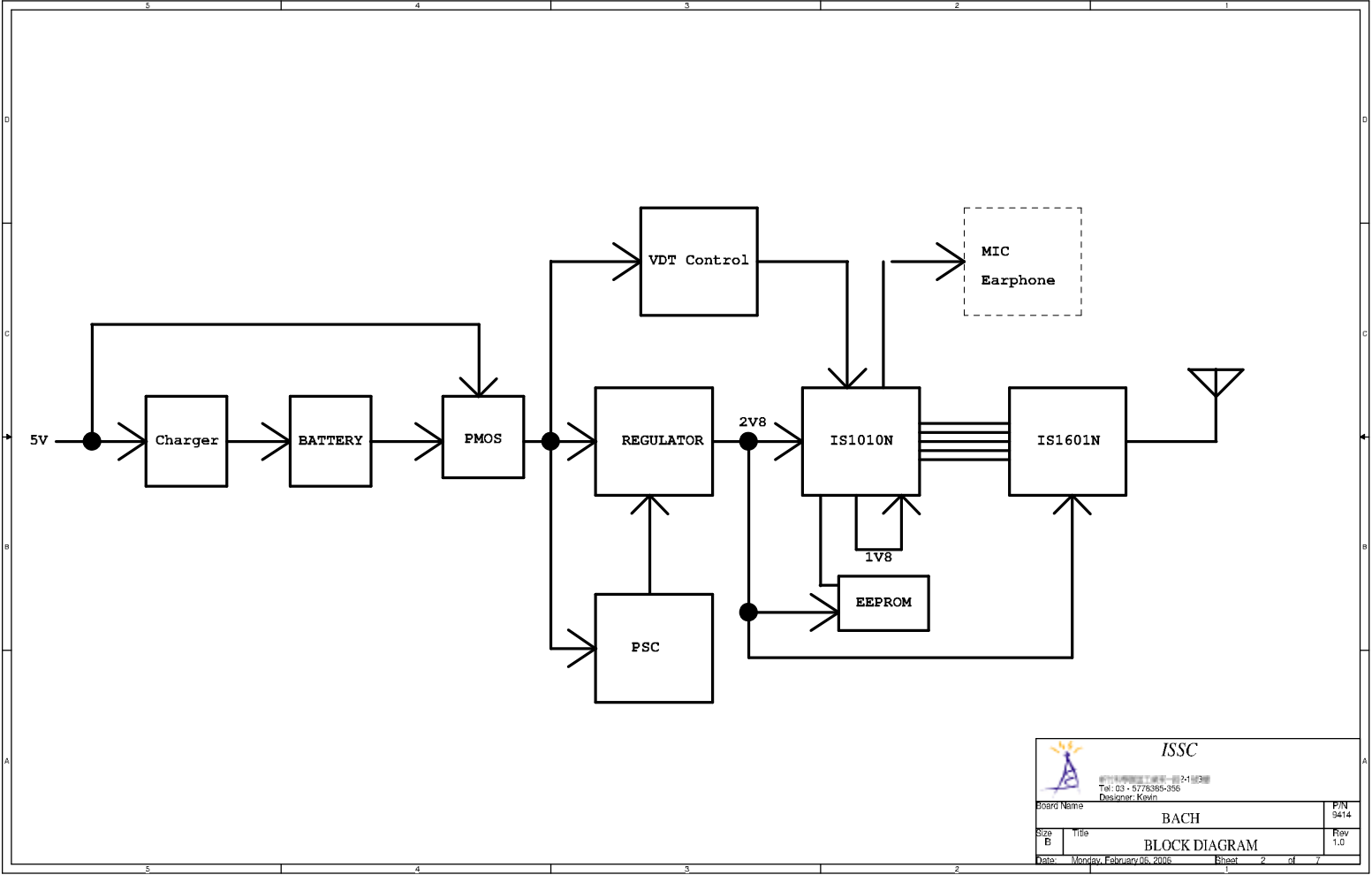


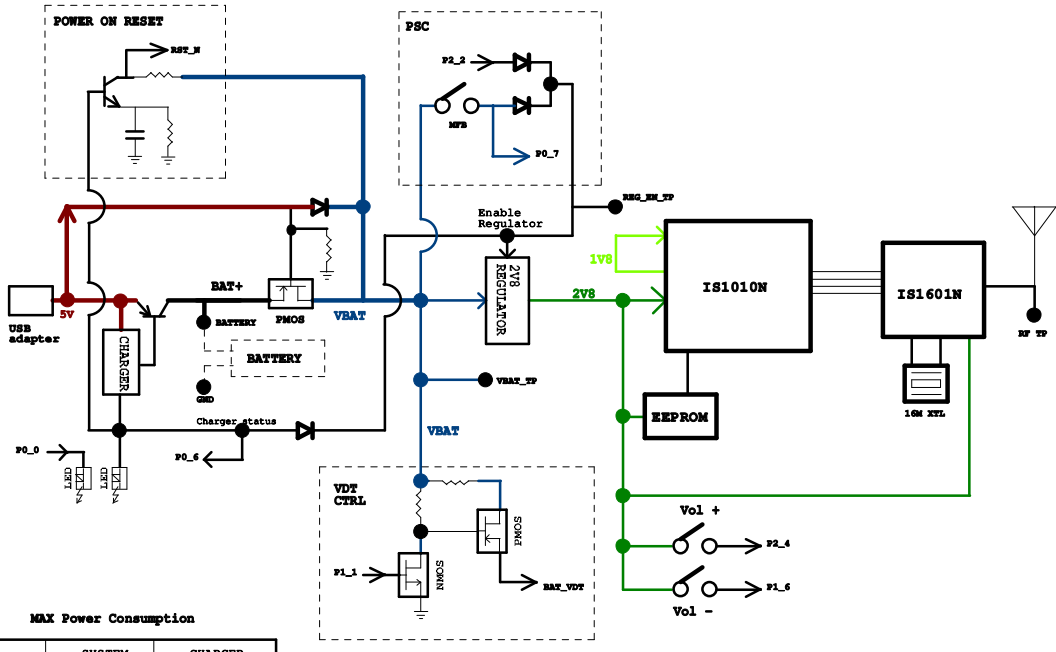
Block Diagram (2.401~2.480GHz)

FCC ID: VO8-BTH820

Model No.: BTH820



POWER TREE



MAX Power Consumption

	SYSTEM	CHARGER
IS1010N	30mA	
FLASH	30mA	
IS1601N	52mA	
EEPROM	3mA	
RF9501		2mA
LED*2	4mA	2mA
TOTAL	119mA	

ISSC

Logo: A stylized logo with a star and the letters 'ISSC'.

Project Name: BACH

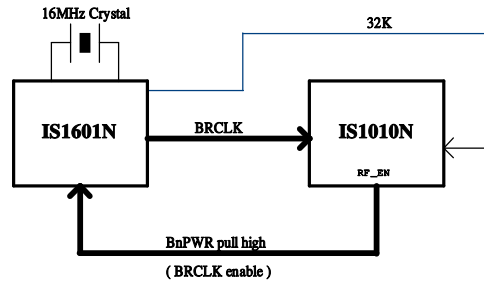
Rev: C

Ver: 1.0

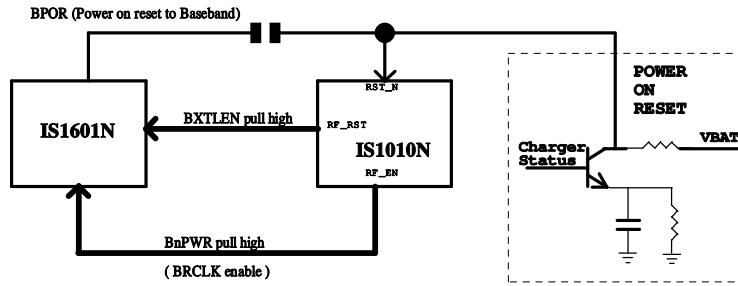
Date: Monday, February 24, 2009

Page: 4 of 7

Clock Tree



Reset Tree




ISSC		
<small>ISSC (PVT) 2008-2-11</small>		
<small>Tel: 03 - 6778385-366</small>		
<small>Designer: Kevin</small>		
Board Name	BACH	P/N 9414
Size		Rev 1.0
CLOCK TREE		
Date:	Monday, February 05, 2008	Page 3 of 7

TEST POINT and SOLDERING POINT TABLE

NO.	DESCRIPTION	NO.	DESCRIPTION	NO.	DESCRIPTION
TP1	RF output	TP11	3V3_USB Default low: module, / P2_0 high: dongle	SDP1	BATTERY
TP2	USB+	TP12	VBAT	SDP2	GND
TP3	USB-	TP13	Regulator Enable	SDP3	Mic+
		TP14	3V3_USB Default low: module, / P2_0 high: dongle	SDP4	Mic-
TP5 (P2_4)	Default low: non-boot mode, high: boot mode (or Vol +)	TP15	GND	SDP5	Earphone+
TP6	UART_RXD	TP16	USB+	SDP6	Earphone-
TP7	UART_TXD	TP17	USB-		
TP8 (EAN)	Default high: internal memory, low: external memory	TP18	GND		
TP9	Piezo	TP19	MFB		
TP10	Regulator Enable	TP18	Vol -		

CONFIGURATION MODE		
	HIGH	LOW
EAN	INT MEMORY	EXT MEMORY
P2_0	DONGLE	MODULE
P2_4	BOOT MODE	NON BOOT MODE

* FOR BOOT MODE -> EAN:High, P2_4:High, P2_0:High

 ISSC Tel: 03 - 6778385-366 Designer: Kevin		P/N
		8414
Board Name		BACH
Size	Title	Rev
B	TEST POINT	1.0
Date: Monday, February 05, 2008		Sheet 5 of 7