

ANTENNA SPECIFICATION

BT antenna
Model Name: KD310
Trade Name: N/A

Prepared for

FUJIAN NEW CENTURY COMMUNICATIONS CO., LTD

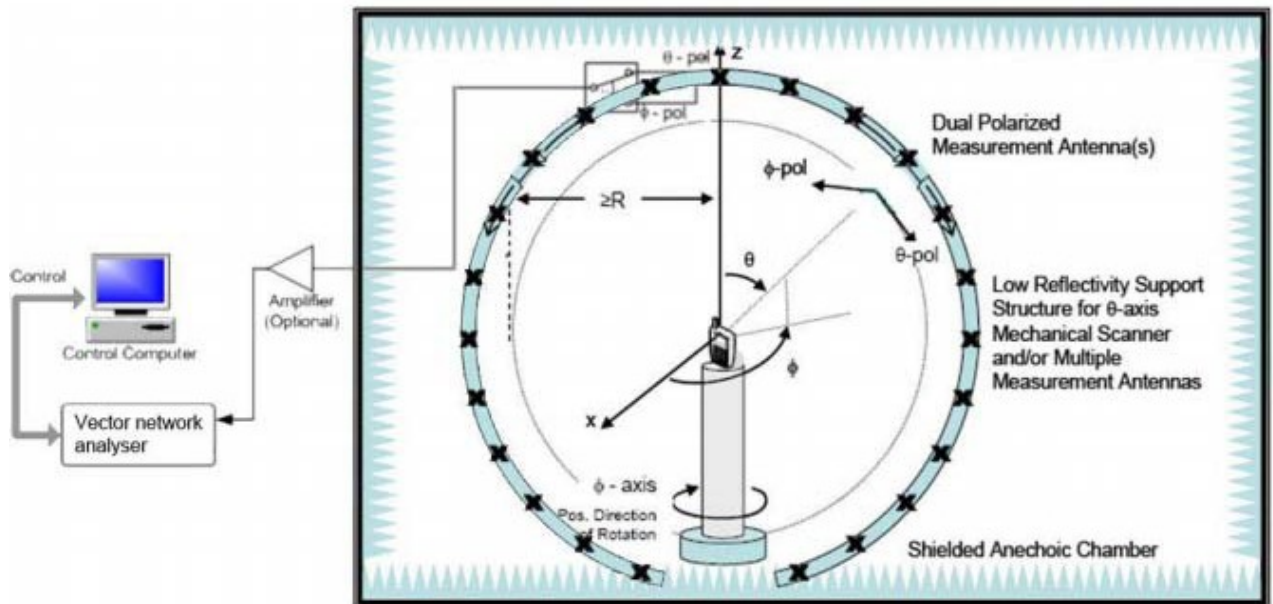
NO. 1 FENGSHOU ROAD, BEIFENG INDUSTRIAL ZONE, FENGZE DISTRICT, QUANGZHOU, FUJIAN, CHINA

Test Conditions

Test Environment Conditions:

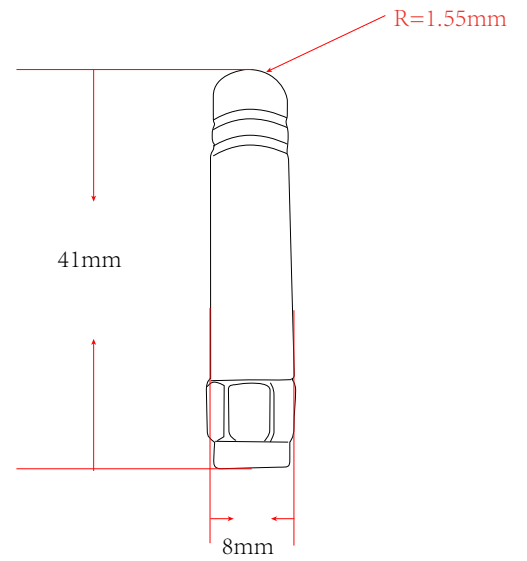
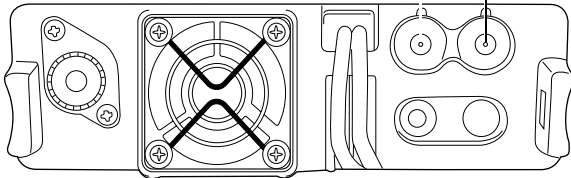
- 1) Temperature: 25°C
- 2) Relative Humidity: 55%

Test Setup:

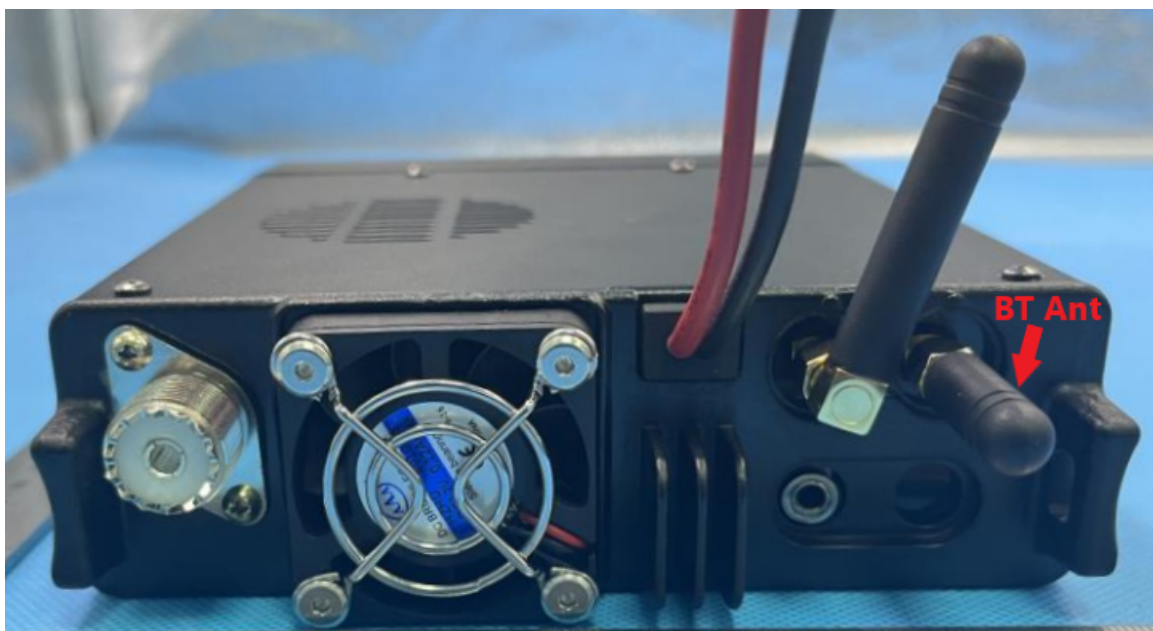


Test Point ID	Freq. (MHz)	TRP (dBm)	Gain (dBi)	Directivity (dBi)	Efficiency (%)	Efficiency (dB)	Max (dBm)	Theta of Max	Phi of Max	Min (dBm)	Theta of Min	Phi of Min	AVG (dBm)	Max/Min (dB)	Max/AVG (dB)	Min/AVG (dB)
1	2400.0	22.30	-3.05	4.65	17.0%	-7.70	-3.05	90	0	-13.88	180	90	-8.44	10.82	5.39	-5.44
2	2450.0	24.27	-1.31	4.43	26.7%	-5.73	-1.31	90	0	-13.20	0	0	-6.54	11.89	5.23	-6.66
3	2483.0	24.73	-1.06	4.21	29.7%	-5.27	-1.06	90	0	-12.61	90	180	-6.11	11.55	5.05	-6.50
4	--	--	--	--	--	--	--	--	--	--	--	--	--	--	--	--
5	--	--	--	--	--	--	--	--	--	--	--	--	--	--	--	--

Bluetooth Antenna
Connect the bluetooth antenna to this port



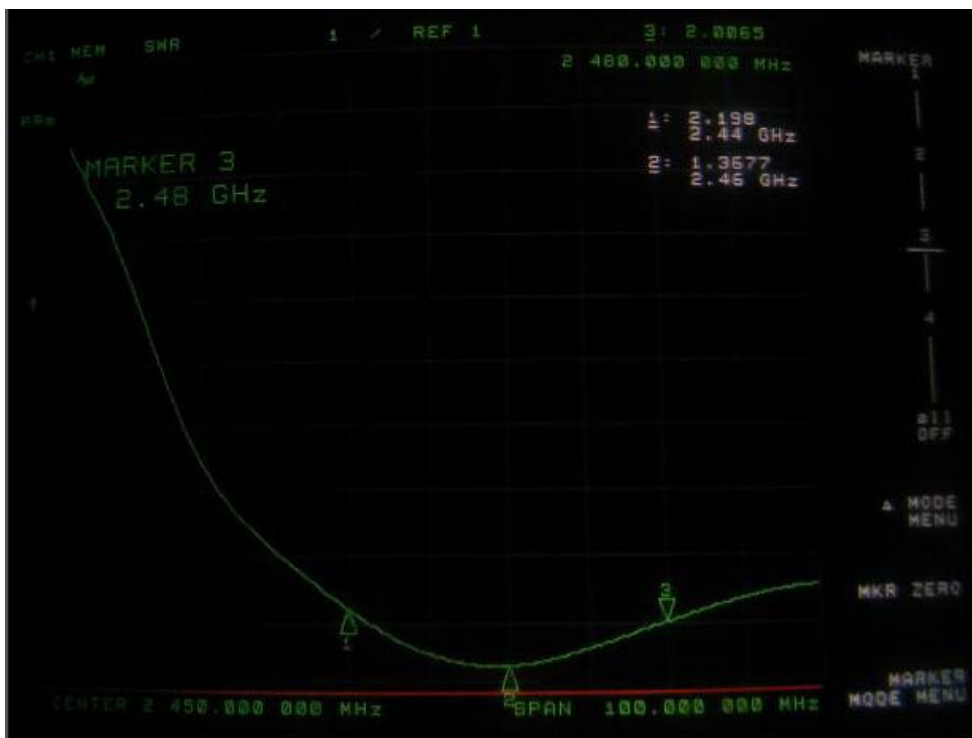
Antenna Dimensions



Electrical Spec

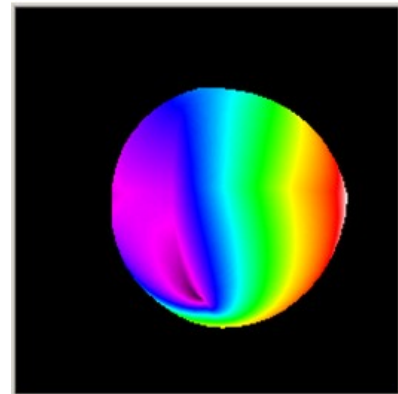
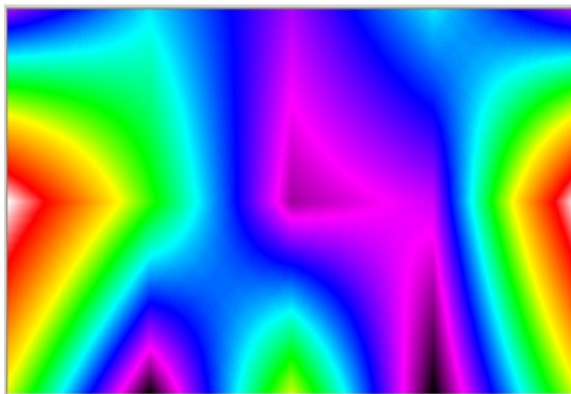
DESCRIPTION	VALUE
Centre frequency	2.45G
Bandwidth	2.45G
Gain	-1.06 dBi Max
VSWR	2.5 max
Polarization	Linear
Azimuth beam width	Omni-directional
Impedance	50Ω
Power dissipation	1W

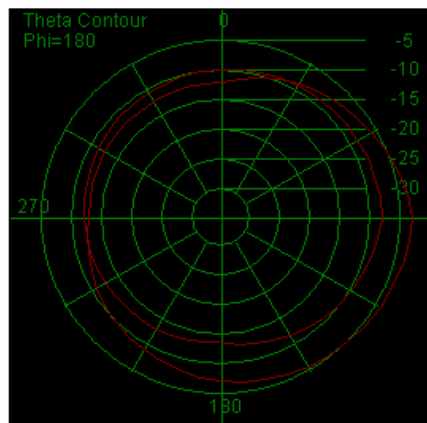
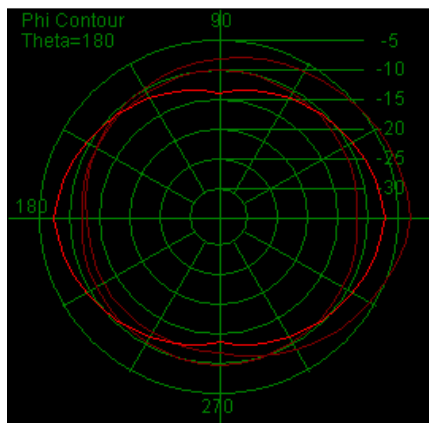
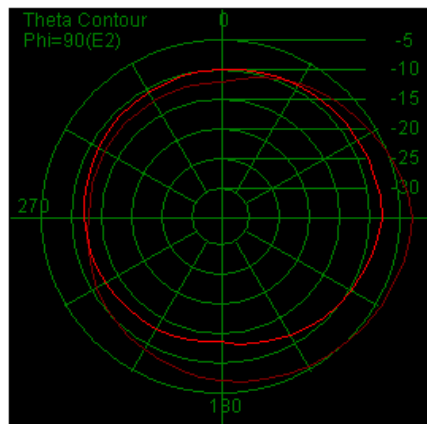
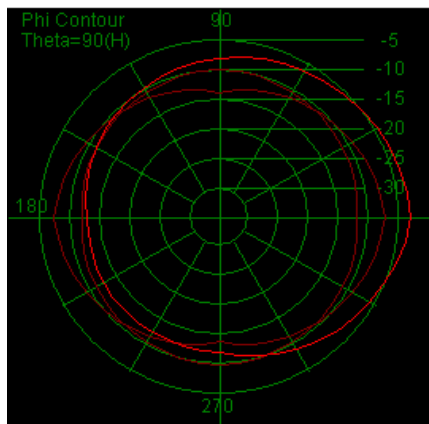
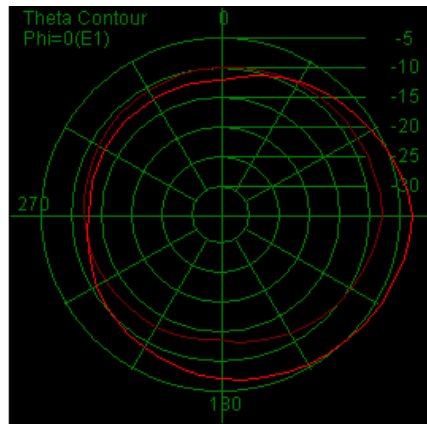
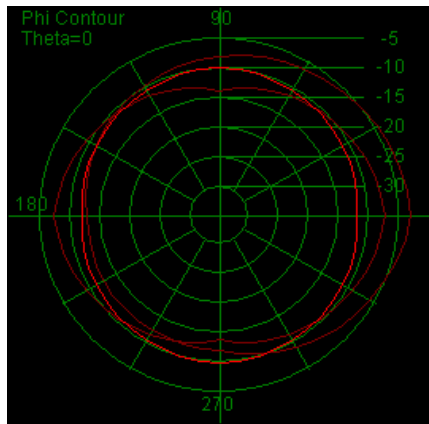
Electrical Performance:



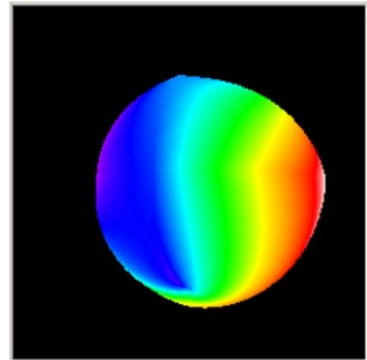
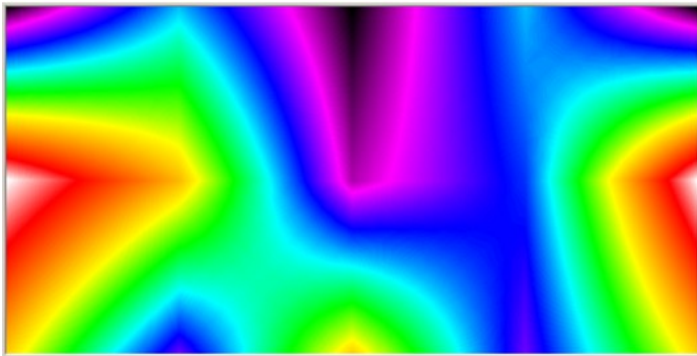
Raw Data and Figures

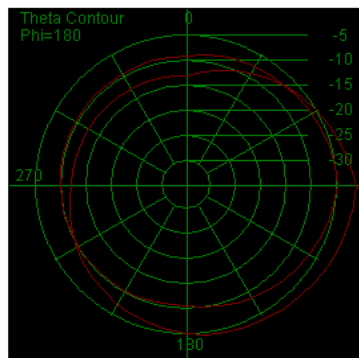
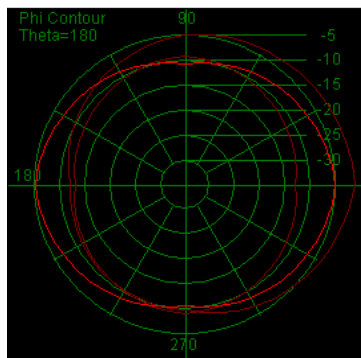
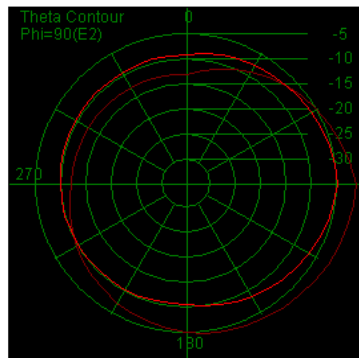
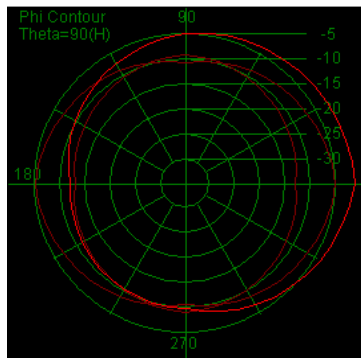
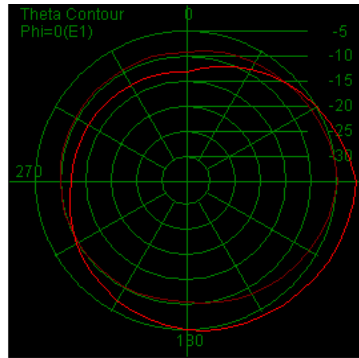
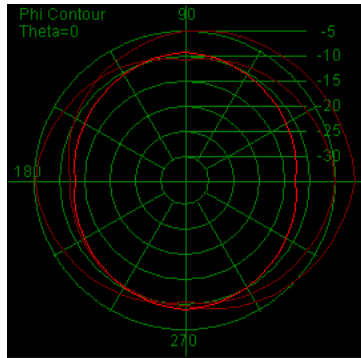
Passive -Freq2400.00MHZ						
		0	90	180	270	360
H+V Total (90° Step)	0	-12.07	-9.92	--	--	--
	90	-3.05	-8.20	-12.99	-12.25	--
	180	-7.33	-13.88	--	--	--
		0	90	180	270	360
H (90° Step)	0	-23.23	-10.94	--	--	--
	90	-17.56	-8.55	-16.38	-14.51	--
	180	-19.44	-15.18	--	--	--
		0	90	180	270	360
V (90° Step)	0	-12.42	-16.70	--	--	--
	90	-3.21	-19.28	-15.66	-16.17	--
	180	-7.61	-19.74	--	--	--





Passive -Freq2450.00MHZ						
		0	90	180	270	360
H+V Total (90° Step)	0	-13.20	-9.12	--	--	--
	90	-1.31	-4.98	-12.17	-9.93	--
	180	-5.19	-10.87	--	--	--
H (90° Step)	0	-21.62	-10.34	--	--	--
	90	-14.12	-5.52	-16.09	-10.84	--
	180	-17.14	-12.54	--	--	--
V (90° Step)	0	-13.87	-15.24	--	--	--
	90	-1.54	-14.27	-14.43	-17.17	--
	180	-5.48	-15.82	--	--	--





Passive -Freq2483.00MHZ						
		0	90	180	270	360
H+V Total (90° Step)	0	-12.15	-9.19	--	--	--
	90	-1.06	-3.76	-12.61	-8.95	--
	180	-5.29	-10.16	--	--	--
		0	90	180	270	360
H (90° Step)	0	-17.67	-11.16	--	--	--
	90	-14.58	-4.67	-19.09	-9.63	--
	180	-14.43	-11.92	--	--	--
		0	90	180	270	360
V (90° Step)	0	-13.58	-13.58	--	--	--
	90	-1.26	-11.01	-13.72	-17.31	--
	180	-5.85	-14.92	--	--	--

