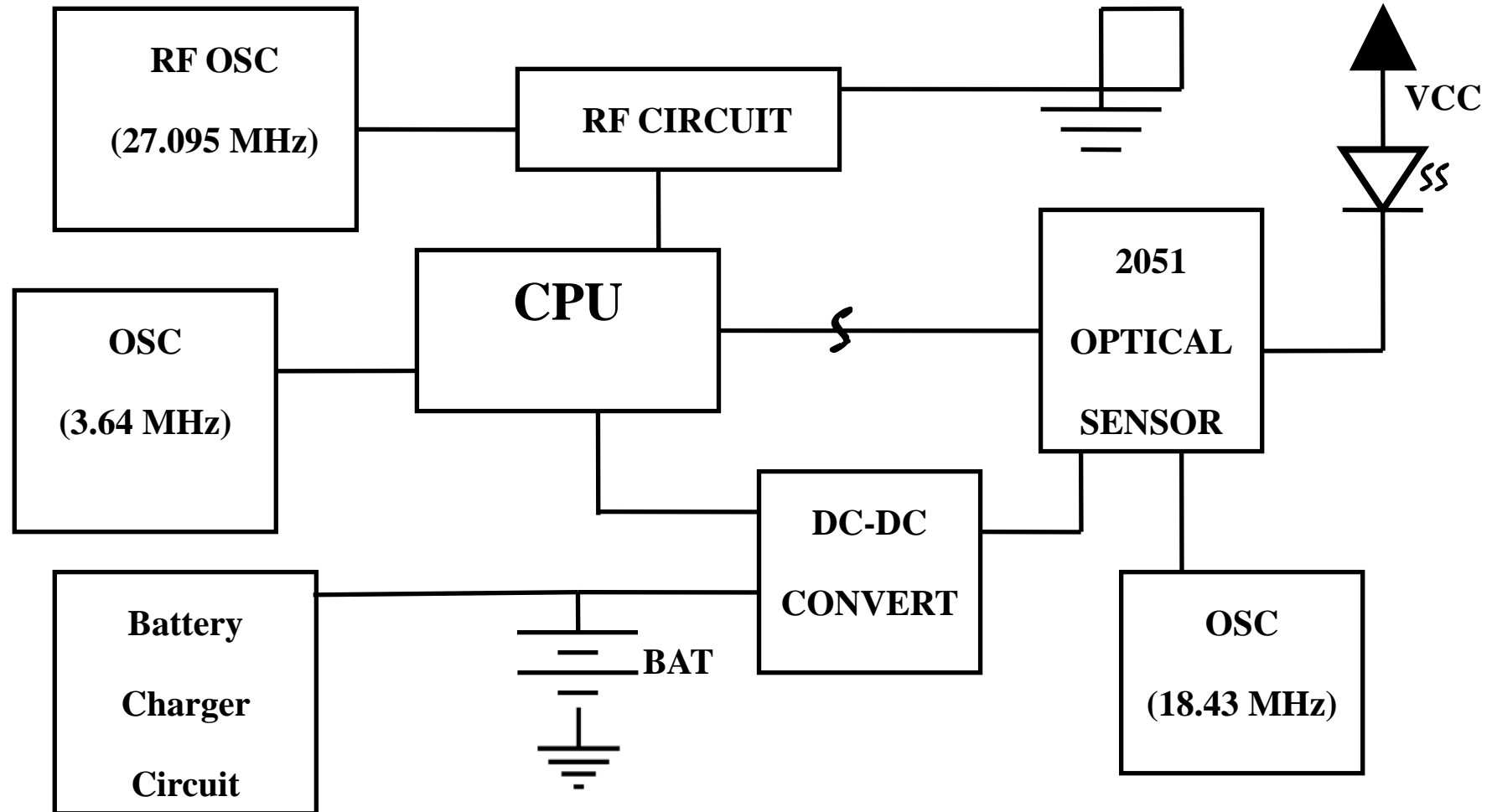


# Block Diagram (TRANSMITER)



# Block Diagram (Receiver)

