



OPERATOR'S MANUAL

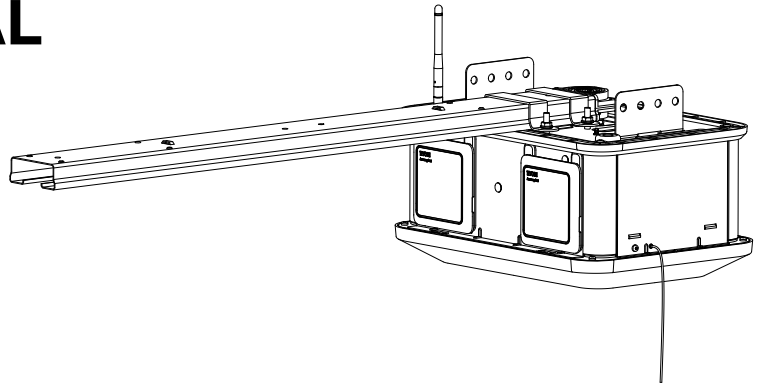
MANUEL D'UTILISATION

MANUAL DEL OPERADOR

GARAGE DOOR OPENER

OUVRE-PORTE DE GARAGE

SISTEMA DE APERTURA PARA PORTÓN DE GARAJE



GD125

An installation video can be found by searching YouTube for “Official Ryobi Garage Door Opener GD125 Rails and Opener Installation Video”.

Une vidéo d'installation peut être trouvée en effectuant une recherche sur YouTube pour « Official Ryobi Garage Door Opener GD125 Rails and Opener Installation Video » (vidéo officielle pour installation de rails et de ouvre-porte de garage GD125).

Puede encontrar un video de instalación buscando “Official Ryobi Garage Door Opener GD125 Rails and Opener Installation Video” (video oficial para instalación de rieles y la sistema de apertura para portón de garage GD125) en YouTube.



HomeLink® and the HomeLink® house icon are registered trademarks of Gentex Corporation.

HomeLink® et l'image de maison HomeLink® sont des marques déposées de Gentex Corporation.

HomeLink® y el icono de la casa de HomeLink® son marcas comerciales registradas de Gentex Corporation.

Your garage door opener has been engineered and manufactured to our high standard for dependability, ease of operation, and operator safety. When properly cared for, it will give you years of rugged, trouble-free performance.

⚠ WARNING: To reduce the risk of injury, the user must read and understand the operator's manual before using this product.

Thank you for your purchase.

SAVE THIS MANUAL FOR FUTURE REFERENCE

Ce ouvre-porte de garage a été conçu et fabriqué conformément à nos strictes normes de fiabilité, simplicité d'emploi et sécurité d'utilisation. Correctement entretenu, cet outil vous donnera des années de fonctionnement robuste et sans problème.

Su sistema de apertura para portón de garage ha sido diseñado y fabricado de conformidad con nuestras estrictas normas para brindar fiabilidad, facilidad de uso y seguridad para el operador. Con el debido cuidado, le brindará muchos años de sólido funcionamiento y sin problemas.

⚠ AVERTISSEMENT :
Pour réduire les risques de blessures, l'utilisateur doit lire et veiller à bien comprendre le manuel d'utilisation avant d'employer ce produit.

⚠ ADVERTENCIA:
Para reducir el riesgo de lesiones, el usuario debe leer y comprender el manual del operador antes de usar este producto.

Merci de votre achat.

Le agradecemos su compra.

**CONSERVER CE MANUEL POUR
FUTURE RÉFÉRENCE**

**GUARDE ESTE MANUAL PARA
FUTURAS CONSULTAS**

TABLE OF CONTENTS

TABLE DES MATIÈRES / ÍNDICE DE CONTENIDO

■ Introduction	2
Introduction / Introducción	
■ Specific Safety Rules.....	3
Règles de sécurité particulières / Reglas de seguridad específicas	
■ Wi-Fi Communication Information.....	4
Renseignements de communication par Wi-Fi / Información de comunicación por wi-fi	
■ Symbols.....	5-6
Symboles / Símbolos	
■ Electrical	7
Caractéristiques électriques / Aspectos eléctricos	
■ Features.....	8-11
Caractéristiques / Características	
■ Loose Parts.....	12-13
Pièces détachées / Piezas sueltas	
■ Tools Needed	14
Outils nécessaires / Herramientas necesarias	
■ Assembly	14-18
Assemblage / Armado	
■ Installation.....	19-40
Installation / Instalación	
■ Operation.....	41-45
Utilisation / Funcionamiento	
■ Maintenance	46-53
Entretien / Mantenimiento	
■ Accessories	54
Accessoires / Accesorios	
■ Troubleshooting.....	54-56
Dépannage / Corrección de problemas	
■ Warranty	57
Garantie / Garantía	
■ Parts Ordering / Service	Back Page
Commande de pièces et réparation / Pedidos de piezas y servicio.....	Page arrière / Pág. posterior

INTRODUCTION

INTRODUCTION / INTRODUCCIÓN

This product has many features for making its use more pleasant and enjoyable. Safety, performance, and dependability have been given top priority in the design of this product making it easy to maintain and operate.

* * *

Ce produit offre de nombreuses fonctions destinées à rendre son utilisation plus plaisante et satisfaisante. Lors de la conception de ce produit, l'accent a été mis sur la sécurité, les performances et la fiabilité, afin d'en faire un outil facile à utiliser et à entretenir.

* * *

Este producto ofrece numerosas características para hacer más agradable y placentero su uso. En el diseño de este producto se ha conferido prioridad a la seguridad, el desempeño y la fiabilidad, por lo cual se facilita su manejo y mantenimiento.

SPECIFIC SAFETY RULES

WARNING:

READ AND UNDERSTAND ALL INSTRUCTIONS BEFORE USING THIS GARAGE DOOR OPENER to reduce the risk of electric shock, fire and/or serious personal injury.

- For use with residential sectional or single-panel garage doors. Not for commercial use.
- Only enable the RYOBI™ Garage Door Opener Accessory System™ App feature when installed with a sectional door.
- Know your product. Read operator's manual carefully. Learn its applications and limitations, as well as the specific potential hazards related to this unit. Following this rule will reduce the risk of electric shock, fire, death, or serious injury.
- Always follow all safety rules recommended by the manufacturer of your garage door opener, in addition to all safety rules for the garage door opener attachment and accessories. Following this rule will reduce the risk of serious personal injury.
- Devices or features, such as the RYOBI™ Garage Door Opener Accessory System™ App, that allow you to open and close the garage without the garage door being in view should only be used with sectional garage doors.
- Do not use any attachments or accessories not recommended by the manufacturer of this product.
- A monthly test of the device's functionality is recommended to ensure reliable performance over time.
- Do not use the garage door opener if it is damaged or broken.
- Do not use garage door opener if keypads do not start and stop the motor. An opener that cannot be controlled with a keypad is dangerous and must be repaired.
- To avoid accidental use place keypads and remotes in a location at least five feet above the floor that is inaccessible to children and others not qualified to operate the machine.
- Do not allow children or untrained individuals to use this unit.
- Do not allow to be used as a toy. Close attention is necessary when used near children.
- To avoid death or serious personal injury, stay clear of the garage door while it is moving.
- The effectiveness of the safety sensors included in this system directly relates to the placement and installation of the sensors.
- Use extra care when mounting the unit. Keep proper footing and balance at all times.
- Mount the garage door opener to joists only. Never mount the unit to drywall or false ceiling grids. Failure to properly install the garage door opener could result in a falling hazard that can cause death or serious personal injury.
- This product is not equipped for permanent wiring. Contact licensed electrician to install a suitable receptacle if one is not available.
- Plug the garage door opener directly into a power source. Do not attach an extension cord or cord adaptor to this product's power cord.
- Do not unplug by pulling on cord. To unplug, grasp the plug, not the cord.
- Do not handle power supply cord, wires, wire terminals, or accessories with wet hands.
- Unplug the garage door opener before making any adjustments, changing accessories, or performing maintenance. Such preventive safety measures reduce the risk of electrocution or electric shock.
- Inspect power supply cord and wires periodically and, if damaged, have repaired by the manufacturer to avoid risk. Keep power supply cord and wires away from pinch points and moving parts. Following this rule will reduce the risk of electric shock or fire.
- Check damaged parts. Before further use of the garage door opener, a belt, pulley, or other part that is damaged should be carefully checked to determine that it will operate properly and perform its intended function. Check for alignment of moving parts, binding of moving parts, breakage of parts, and any other conditions that may affect its operation. A belt, pulley, or other part that is damaged should be properly repaired or replaced by the manufacturer. Following this rule will reduce the risk of shock, fire, or serious injury.
- When servicing a product, use only identical replacement parts. Follow instructions in the *Maintenance* section of this manual. Use of unauthorized parts or failure to follow Maintenance instructions may create a risk of injury.
- Never attempt to loosen, adjust, or remove the door springs (torsion spring and/or extension spring), door spring components, or any surfaces to which these items are secured. These items are under extreme tension and any such alteration could result in death, serious personal injury, and/or property damage.
- Servicing of garage doors, door springs (torsion and/or extension springs), and door spring components should be performed only by a qualified service person.
- To prevent SERIOUS INJURY or DEATH, DO NOT open garage door if fire is present unless you must escape through it. CALL 911 or the fire department. Opening the garage door will introduce fresh air and may cause fire to spread rapidly.

WI-FI COMMUNICATION INFORMATION

- Your garage door opener can be operated remotely on the smartphone app.
 - The communication distance (range) between your garage door opener and your Wi-Fi router may be 100 feet (30 meters) inside your home. A number of factors in and around your home may reduce this range including the number of floors, number/size of rooms, furniture and types of building materials used for construction. Examples may include suspended ceilings, ductwork, large metallic appliances (refrigerators), and metal studs. Interference from these factors in your home can be overcome by adding Wi-Fi signal boosters to extend the range of the wireless signal from your router in your home.
- Since the 1990s, security algorithms have been used to encrypt and protect wireless signals. The two most commonly used algorithms are WEP and WPA/WPA2.
 - WEP (Wired Equivalent Privacy) is the oldest and most widely used security algorithm. Despite its popularity, this algorithm is the most susceptible to hacking. The network passwords used to protect WEP networks have to be exactly 10 or 26 characters long and can only include hexadecimal characters (a-f and 0-9). By modern standards, passwords with these limitations are not complex enough to offer adequate security. In 2005, the Federal Bureau of Investigation demonstrated WEP's vulnerabilities by easily cracking WEP passwords using publicly available software.

NOTE:

1. The range and proper operation of any wireless device will vary depending on factors in and around your home.
2. Your garage door opener may not transmit between buildings. If you have a detached garage, your garage door opener may not communicate properly with your Wi-Fi router.
3. Metal objects (e.g. wall studs) and metallic wallpaper may interfere with the signal from your Garage Door Opener. You will need to test your Garage Door Opener after any changes to your home or garage including remodeling, moving furniture, and installing new appliances or devices that communicate with your Wi-Fi router.

NOTICE:




It is important that the wireless signal from your router is secured. An unsecured signal could allow unauthorized access to devices communicating on your home network, including your garage door opener.

Due to serious security concerns, your garage door opener will not connect to routers using WEP network security. Refer to your router's operator's manual to change the security type to WPA/WPA2.







- WPA/WPA2 (Wi-Fi Protected Access) was created as a safer alternative to WEP. The cryptographic technology in this algorithm is far superior to that of its predecessor. WPA/WPA2 passwords can be up to 63 characters long and include hexadecimal characters as well as any printable ASCII characters (a-z, 0-9, punctuation marks, and some glyphs). Although it offers greater protections, WPA/WPA2 networks can still be vulnerable if weak passwords are used. Always use a strong password that includes upper and lower case letters, punctuation marks, numbers, and glyphs (if supported) to reduce the risk of the password being cracked or guessed by unauthorized parties.

SYMBOLS

The following signal words and meanings are intended to explain the levels of risk associated with this product.

SYMBOL	SIGNAL	MEANING
	DANGER:	Indicates a hazardous situation, which, if not avoided, will result in death or serious injury.
	WARNING:	Indicates a hazardous situation, which, if not avoided, could result in death or serious injury.
	CAUTION:	Indicates a hazardous situation, that, if not avoided, may result in minor or moderate injury.
	NOTICE:	(Without Safety Alert Symbol) Indicates information considered important, but not related to a potential injury (e.g. messages relating to property damage).

Some of the following symbols may be used on this product. Please study them and learn their meaning. Proper interpretation of these symbols will allow you to operate the product better and safer.

SYMBOL	NAME	DESIGNATION/EXPLANATION
	Safety Alert	Indicates a potential personal injury hazard.
	Read Operator's Manual	To reduce the risk of injury, user must read and understand operator's manual before using this product.
	Eye Protection	Always wear eye protection with side shields marked to comply with ANSI Z87.1 when assembling and performing maintenance on this product.
	Electrocution/ Electric Shock	Unplug the unit before attaching wires to reduce the risk of electrocution or electric shock.
	Moving Door	To avoid death or serious personal injury, stay clear of the garage door while it is moving and never attempt to run or walk under moving garage door.
	A Wi-Fi router connected to the internet in your home is required to use the app.	You will not be able to open your garage door or receive other information from the accessories using the Ryobi Garage Door Opener Accessory System App if your home's Wi-Fi connection with your garage door opener is not connected or functioning properly.

SYMBOLS

Some of the following symbols may be used on this product. Please study them and learn their meaning. Proper interpretation of these symbols will allow you to operate the product better and safer.

SYMBOL	NAME	DESIGNATION/EXPLANATION
—	Direct Current	Type or a characteristic of current
~	Alternating Current	Type of current
n_0	No Load Speed	Rotational speed, at no load
.../min	Per Minute	Revolutions, strokes, surface speed, orbits etc., per minute
V	Volts	Voltage
Hz	Hertz	Frequency (cycles per second)
A	Amperes	Current
W	Watt	Power

CALIFORNIA PROPOSITION 65

WARNING:

This product may contain chemicals, including lead, known to the State of California to cause cancer, birth defects or other reproductive harm. ***Wash hands after handling.***

ELECTRICAL

ELECTRICAL CONNECTION

This product has a precision-built electric motor. It should be connected to a **power supply that is nominal 120V/60Hz AC (typical U.S. household circuit)**. Do not operate this product on direct current (DC). A substantial voltage drop will cause a loss of power and the motor will overheat. If the product does not operate when plugged into an outlet, double-check the power supply.

GROUNDING INSTRUCTIONS

See Figure 1.

This product must be grounded. In the event of a malfunction or breakdown, grounding provides a path of least resistance for electric current to reduce the risk of electric shock. This product is equipped with an electric cord having an equipment-grounding conductor and a grounding plug. The plug must be plugged into a matching outlet that is properly installed and grounded in accordance with all local codes and ordinances.

Do not modify the plug provided. If it will not fit the outlet, have the proper outlet installed by a qualified electrician.

⚠ WARNING:

Improper connection of the grounding plug can result in a risk of electric shock. When repair or replacement of the cord is required, do not connect the grounding wire to either flat blade terminal. The wire with insulation having an outer surface that is green with or without yellow stripes is the grounding wire.

Check with a qualified electrician or service personnel if the grounding instructions are not completely understood, or if in doubt as to whether the product is properly grounded.

Repair or replace a damaged or worn cord immediately.

This product is for use on a nominal 120 V circuit and has a grounding plug similar to the plug illustrated in figure 1. Only connect the product to an outlet having the same configuration as the plug. Do not use an adapter with this product.

GROUND FAULT CIRCUIT INTERRUPTER

See Figure 2.

The 10 amp, 120 volt receptacle on the garage door opener is protected by a Ground Fault Circuit Interrupter (GFCI), which guards against the hazards of ground fault currents.

An example of ground fault current is the current that would flow through a person who is using an appliance with faulty insulation and, at the same time, is in contact with an electrical ground such as a plumbing fixture, wet floor, or earth.

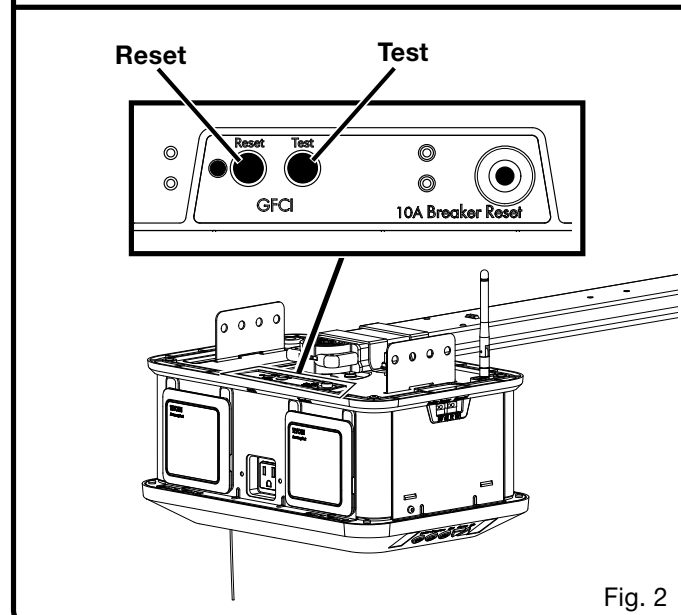
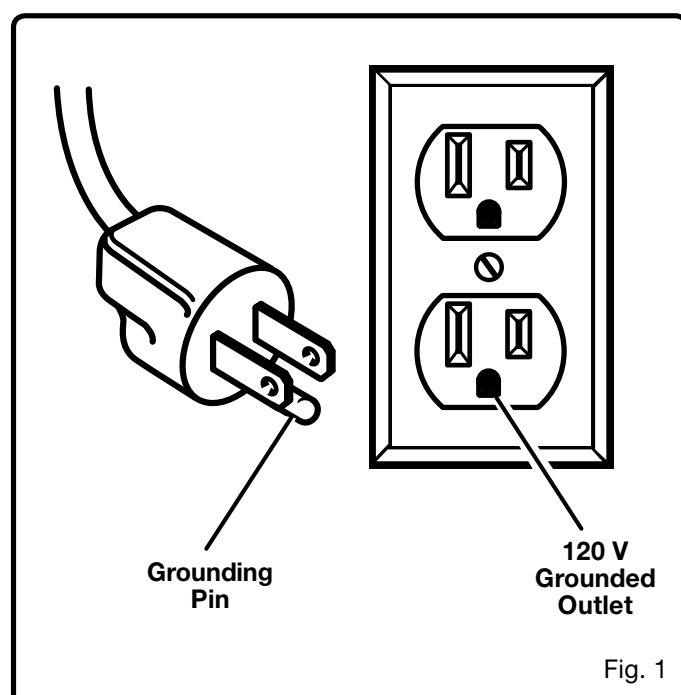
GFCI receptacles do not protect against short circuits, overloads, or shocks.

The GFCI receptacle can be tested with the TEST and RESET buttons.

To test:

- Locate the TEST and RESET buttons on the top of the power head.
- Depress the TEST button. This should cause the RESET button to pop out.
- To restore power, depress the RESET button.

Perform this test monthly to ensure proper operation of the GFCI.



FEATURES

PRODUCT SPECIFICATIONS

Accessory Capacity up to 4
 Max. Garage Door Height 7 ft.*
 Bulb Type LED
 Drive Type Belt Drive
 Input 120V AC, 60 Hz.
 Motor 1.25 HPs**
 No Load Speed 90-98 RPM

Rail Length 10 ft.
 Remote Detection Range 300 ft.
 Vehicle and Home HomeLink® compatible***

* Extension kits are available.

** Horsepower Similar (HPs) designates that this system meets RYOBI pulling force specification for a 1.25 horsepower garage door opener.

*** HomeLink® and the HomeLink® house icon are registered trademarks of Gentex Corporation.

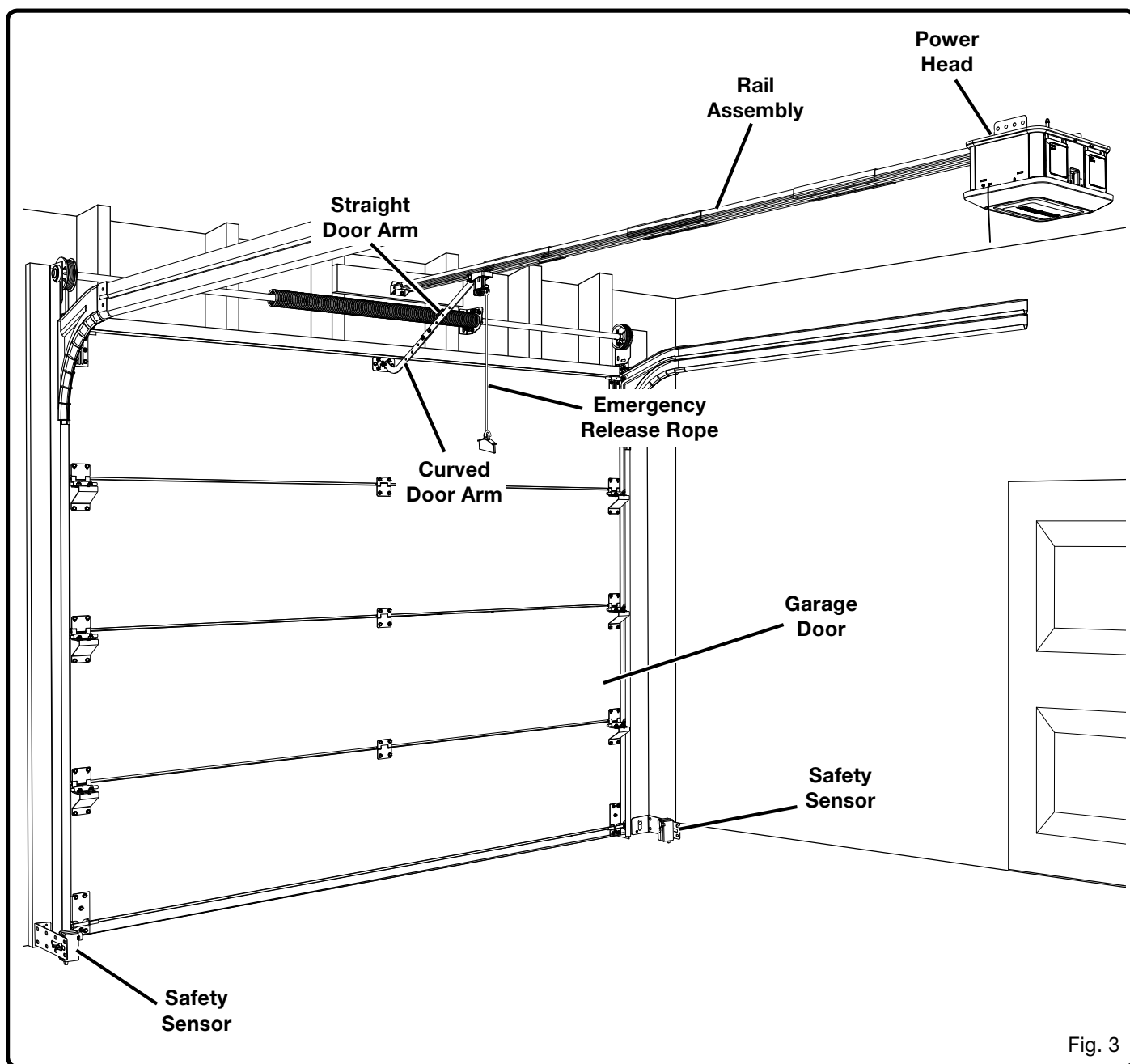


Fig. 3

FEATURES

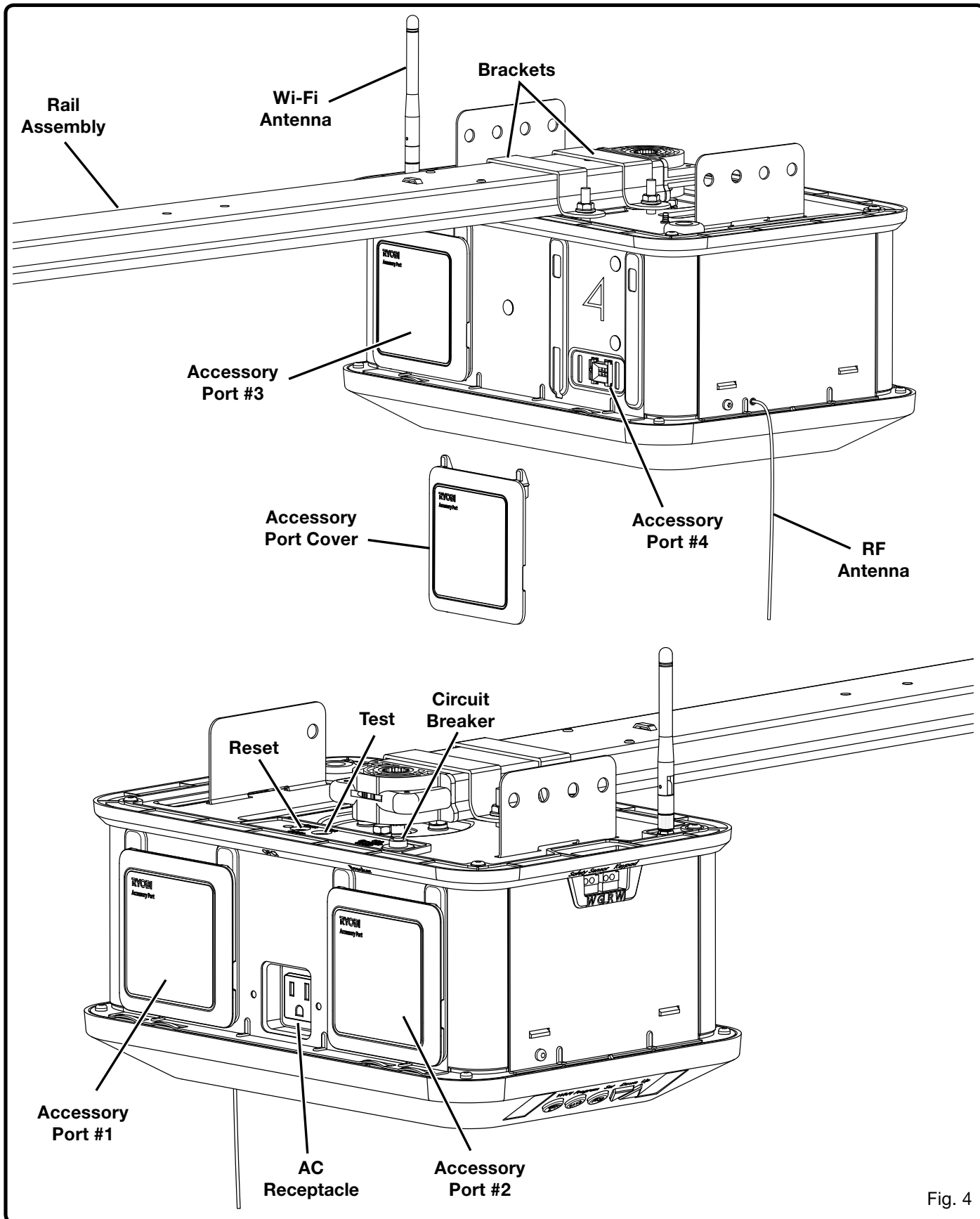
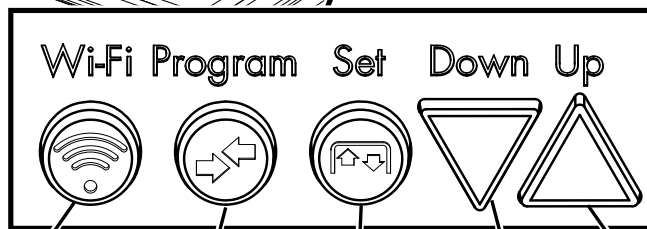
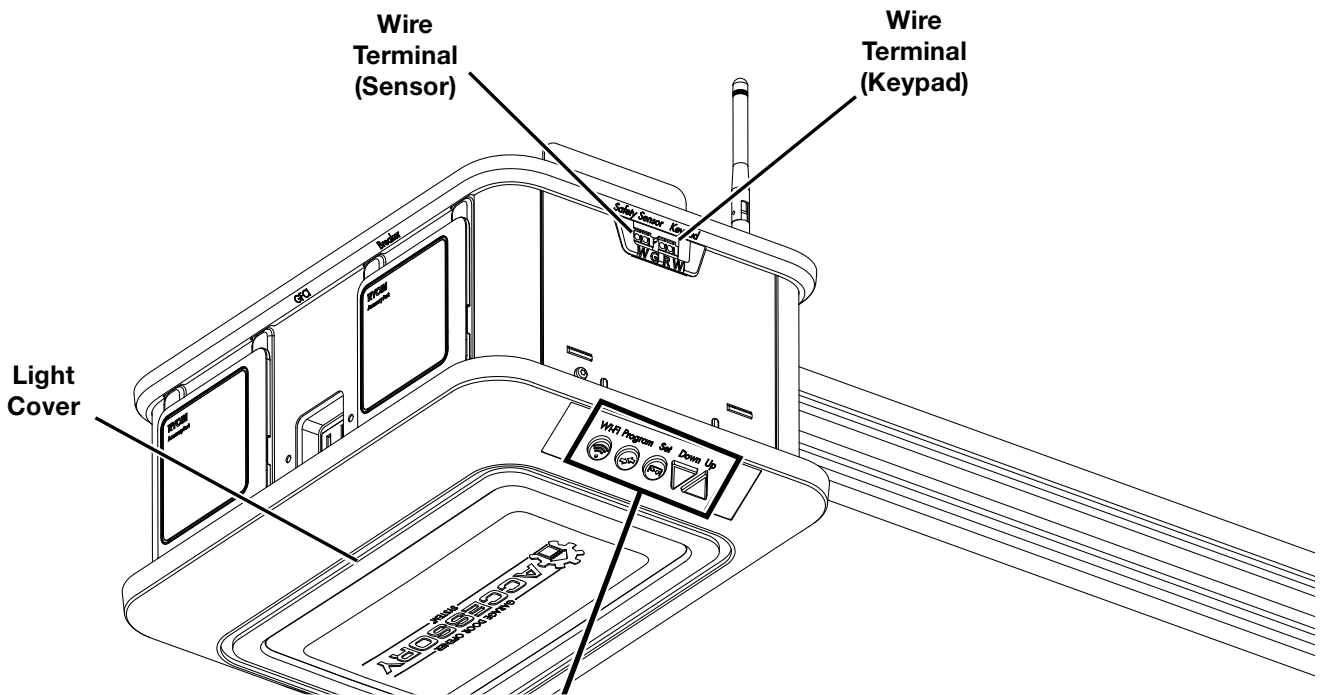


Fig. 4

FEATURES



Wi-Fi Program Set Down Up

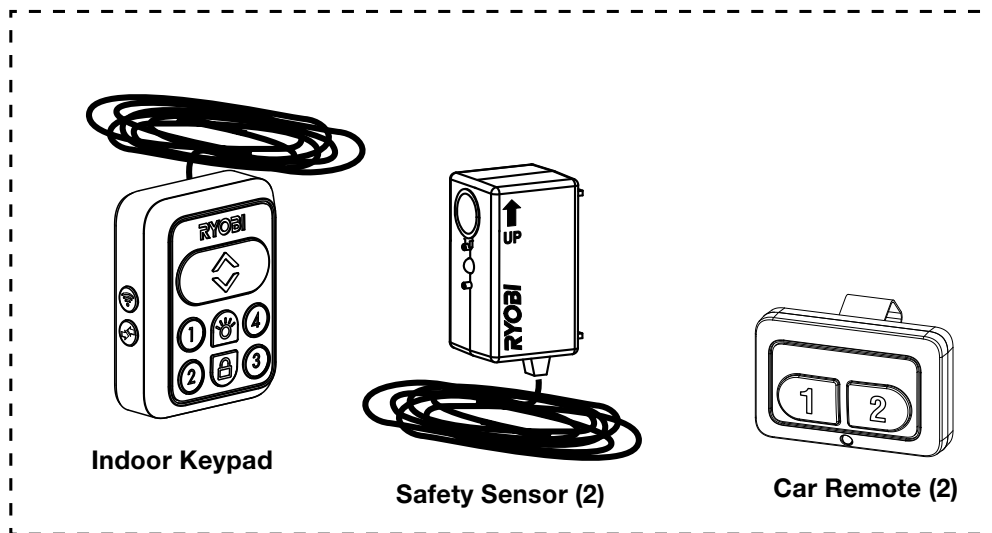


Fig. 5

FEATURES

KNOW YOUR GARAGE DOOR OPENER

See Figures 3 - 5.

The safe use of this product requires an understanding of the information on the product and in this operator's manual as well as a knowledge of the project you are attempting. Before use of this product, familiarize yourself with all operating features and safety rules.

AC RECEPTACLE

The garage door opener has a 120 Volt AC, GFCI protected receptacle with a rating of 10 Amps. It can be used for operating AC garage door accessories as well as appropriate appliances, electrical lighting, and tools.

ACCESSORY PORTS

Your garage door opener has four ports for operating DC garage door accessories.

ANTENNAS

The Wi-Fi and RF antennas allow the garage door opener to communicate with the smartphone app, car remotes, and keypads.

AUTOMATIC REVERSAL SYSTEM

When a closing garage door contacts an object that is 1-1/2 in. above the garage floor, the automatic reversal system will stop and raise the door to the fully open position.

BELT DRIVE SYSTEM

This product is equipped with a belt drive system that is quieter than traditional chain-drive models.

CAR REMOTES

Convenient car remotes allow you to activate the garage door opener from a distance of up to 300 ft. The remotes are equipped with a visor clip, so you can store them on your car's sun visor.

CIRCUIT BREAKER

The circuit breaker is provided to protect the AC accessories against electrical overload. The circuit breaker may be reset by pressing the circuit breaker reset button.

EMERGENCY RELEASE ROPE

In the case of an emergency or entrapment, pulling the emergency release rope will allow you to manually raise a closed garage door.

HomeLink® COMPATIBILITY

Features on your garage door opener can be controlled by cars and homes equipped with HomeLink® control systems.

HomeLink® and the HomeLink® house icon are registered trademarks of Gentex Corporation.

INDOOR KEYPAD

The indoor keypad is installed on the interior of the garage and can be used to open and close the garage door, activate the accessory ports, and turn the LED lights on and off.

LED LIGHTS

LED lights are located beneath the light cover and illuminate whenever the motor is running or the **LIGHT** (☀) button on the indoor keypad is pressed. To turn the LED lights off, press the **LIGHT** (☀) button.

NOTE: By default, the LED lights will illuminate for three minutes after the **LIGHT** (☀) button is pressed or after the power head starts opening or closing the garage door. The time can be adjusted in one minute increments, between one and ten minutes, using the RYOBI Garage Door Opener Accessory System App.

RAIL SYSTEM

The ergonomic rail design makes assembly and installation quick and easy.

SAFETY SENSORS

Your garage door opener comes with two sensors that cast an invisible light beam across the opening of your garage. If an object crosses the path of the beam while the garage door is closing, the door will automatically stop and reverse to the fully open position.

SMARTPHONE COMPATIBILITY

The garage door opener can be operated remotely with a smartphone using the RYOBI Garage Door Opener Accessory System App. For more information, visit ryobitools.com or download the app from the **App Store** or **Google Play Store**.

VACATION MODE

To enter and exit vacation mode, press and hold the **LOCK** (🔒) button on the indoor keypad for one second. When in vacation mode, the garage door opener can only be controlled by the indoor keypad and smartphone app.

LOOSE PARTS

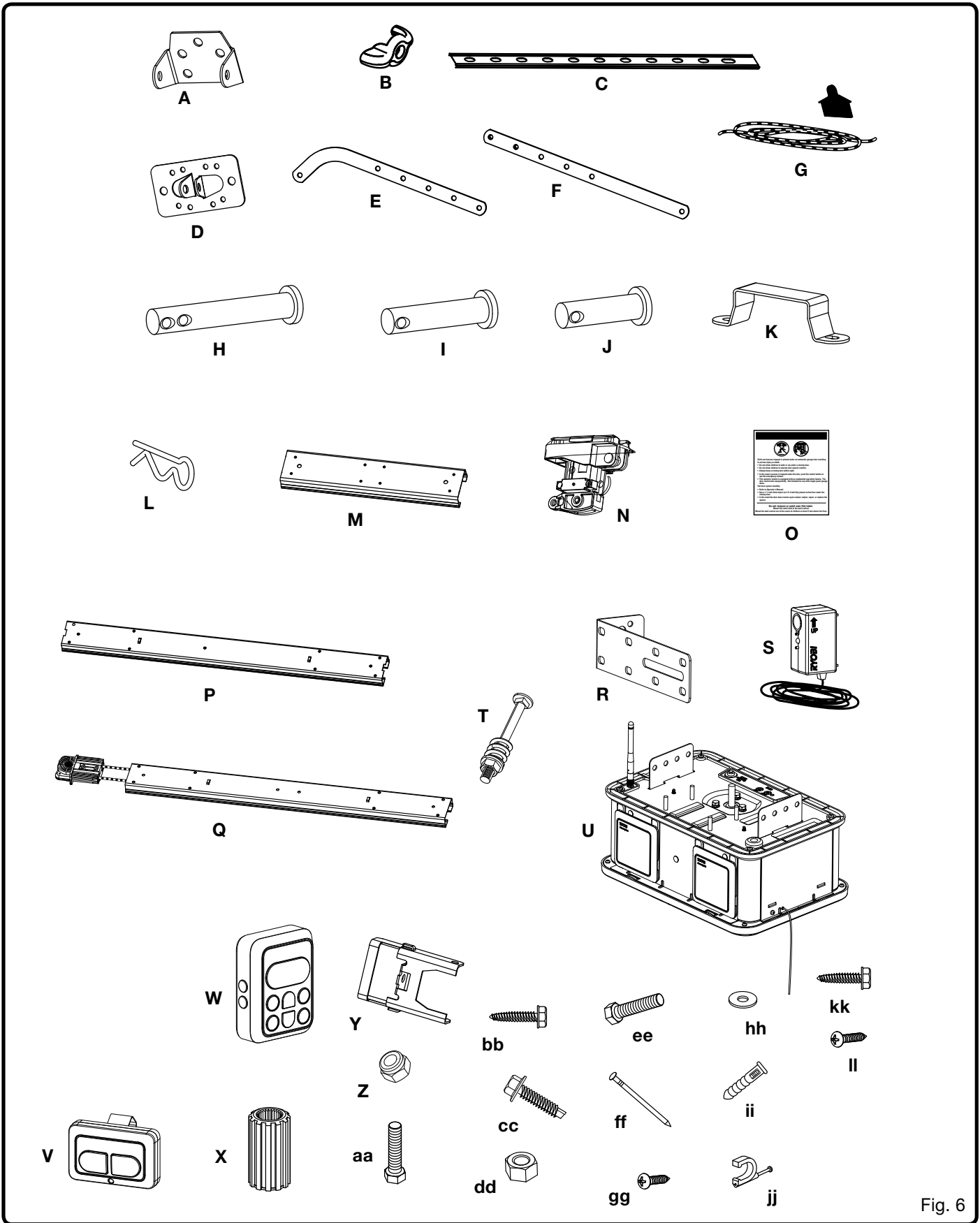


Fig. 6

LOOSE PARTS

The following items are included with your garage door opener:

A.	Header Bracket.....	1
B.	Wing Nut.....	2
C.	Mounting Strap.....	2
D.	Door Bracket.....	1
E.	Curved Door Arm.....	1
F.	Straight Door Arm.....	1
G.	Emergency Release Rope	1
H.	Large Clevis Pin.....	1
I.	Medium Clevis Pin	1
J.	Small Clevis Pin	1
K.	Bracket	2
L.	Hitch Pin	3
M.	Sleeve	3
N.	Outer Trolley.....	1
O.	Entrapment Warning Label (Eng., Fr., and Sp.)	3
P.	Support Rail.....	3
Q.	End Rail Assembly.....	1
R.	Sensor Bracket.....	2
S.	Safety Sensor	2
T.	Pulley Rod Assembly.....	1
U.	Power Head.....	1
V.	Car Remote.....	2
W.	Indoor Keypad	1
X.	Sprocket	1
Y.	Front Brace.....	1
Z.	Nut (7/16 in.)	10
aa.	Bolt (7/16 in. x 3/4 in.).....	6
bb.	Lag Screw (7/16 in. x 1-1/2 in.).....	2
cc.	Self-tapping Screw	2
dd.	Lock Nut (1/2 in.)	2
ee.	Bolt (1/2 in. x 1 in.).....	2
ff.	Nail (2 in.).....	2
gg.	Screw (1 in., Phillips Hd.).....	2
hh.	Washers (7/16 in.)	6
ii.	Drywall Anchor.....	2
jj.	Insulated Staple.....	30
kk.	Lag Screw (1/2 in. x 1-1/2 in.).....	2
ll.	Screw (1-1/2 in., Phillips Hd.)	2

TOOLS NEEDED

The following tools (not included or drawn to scale) are needed for assembly and adjustments:

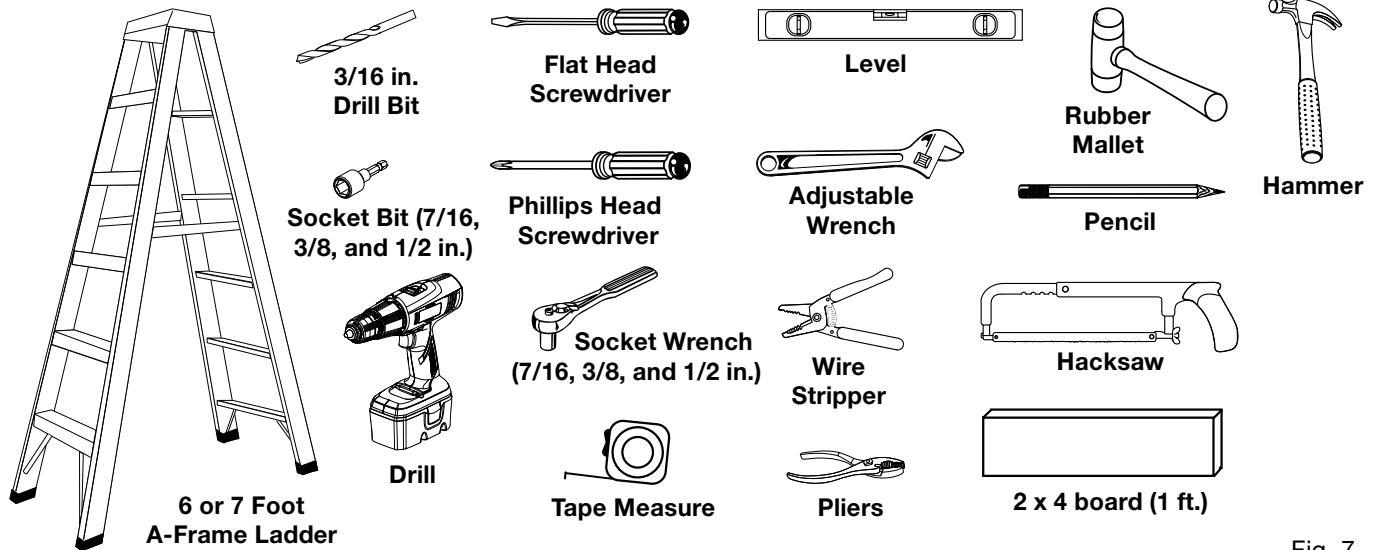


Fig. 7

ASSEMBLY

UNPACKING

This product requires assembly.

- Carefully remove the product and any accessories from the box. Make sure that all items listed in the loose parts list are included.

NOTE: This tool is heavy. To avoid back injury, lift with your legs, not your back, and get help when needed.

⚠️ WARNING:

Do not use this product if any parts on the Loose Parts List are already assembled to your product when you unpack it. Parts on this list are not assembled to the product by the manufacturer and require customer installation. Use of a product that may have been improperly assembled could result in serious personal injury.

- Inspect the tool carefully to make sure no breakage or damage occurred during shipping.
- Do not discard the packing material until you have carefully inspected and satisfactorily operated the tool.
- If any parts are damaged or missing, please call 1-877-205-5714 for assistance.

⚠️ WARNING:

If any parts are damaged or missing do not operate this tool until the parts are replaced. Use of this product with damaged or missing parts could result in serious personal injury.

⚠️ WARNING:

Do not attempt to modify this tool or create accessories not recommended for use with this tool. Any such alteration or modification is misuse and could result in a hazardous condition leading to possible serious personal injury.

⚠️ WARNING:

Do not connect to power supply until assembly is complete. Failure to comply could result in accidental starting and possible serious personal injury.

ASSEMBLY

⚠️ WARNING:

Always wear eye protection with side shields marked to comply with ANSI Z87.1 when assembling and performing maintenance on this product. Failure to do so could result in objects being thrown into your eyes resulting in possible serious injury.

NOTICE:

Many of the illustrations in this manual show only portions of the garage door opener. This is intentional so that we can clearly show points being made in the illustration. Never operate the garage door opener without all parts securely in place and in good operating condition.

⚠️ WARNING:

Confirm that the inner trolley is in the orientation shown in Figure 10. An incorrectly installed inner trolley could result in the garage door opener operating in the opposite direction from its intended movement and result in death or serious personal injury from the moving garage door.

ASSEMBLING THE RAILS

See Figures 8 - 18.

- Locate the following items:
 - Front Brace
 - End Rail Assembly
 - Support Rail (3)
 - Sleeves (3)
 - Pulley Rod Assembly
 - Outer Trolley
- Remove tie wrap from end rail and pulleys.
- Insert rear pulley into end rail. Slide together until pulley is snug against the rail.
- Pull the front pulley and belt through the end rail and into a sleeve.
- Slide the outer trolley into the end rail.
- Pull the release lever down and move outer trolley toward the inner trolley until they are engaged.

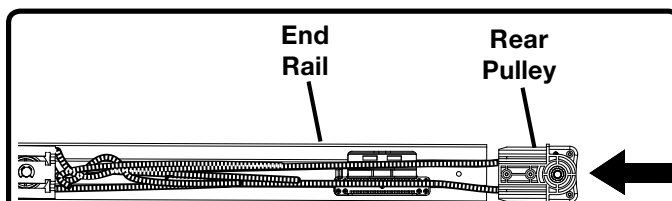


Fig. 8

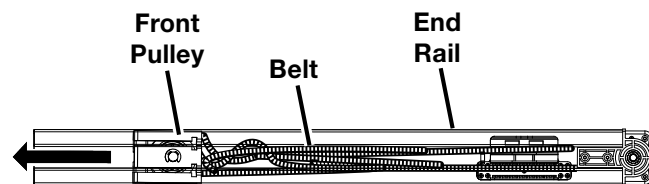


Fig. 9

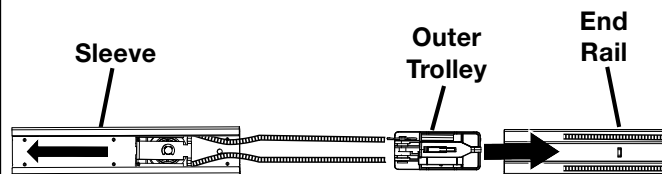


Fig. 10

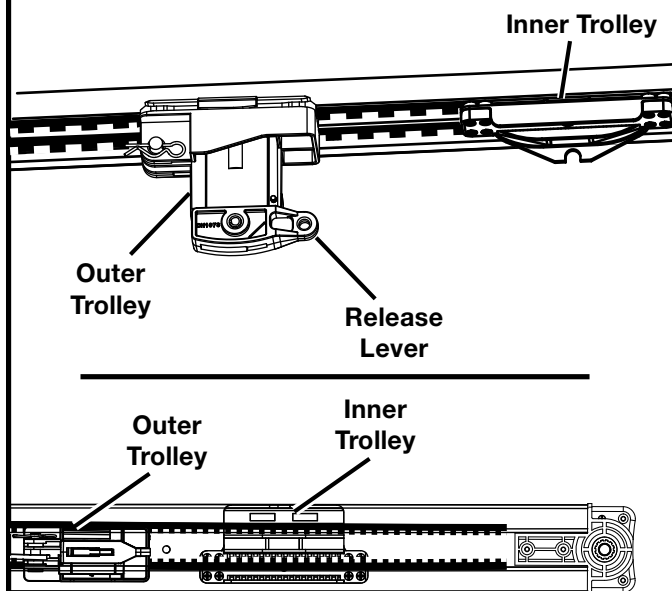


Fig. 11

ASSEMBLY

- Insert the edge of the end rail into the sleeve. Slide together until rail clicks into place. If you cannot get the rail to fit by hand, try gently tapping it with a rubber mallet until it is snug and clicks into place. **Be careful not to pinch or damage the belt.**
- Repeat this process to attach a support rail, second sleeve, second support rail, third sleeve, and then the third support rail. When assembled correctly, the rails should not separate easily when pulled.
- Pull the front pulley and belt through the top of the rail assembly.
- Turn the tension nut on the pulley rod counterclockwise to loosen. Remove the tension nut and spring from the pulley rod.
- Insert the pulley rod into the front pulley.
- NOTE:** Ensure the head of the rod is fully seated in the pulley.
- Move the front pulley back into the rail assembly.

- Insert the edge of the front brace into the rail assembly. Slide together until brace clicks in place. If you cannot get the brace to fit by hand, try gently tapping it with a rubber mallet until it is snug.
- Pull the front pulley forward and slide the rod through the hole in the brace.
- Install spring and tension nut onto pulley rod.
- Move the inner and outer trolley to the middle of the rail assembly.

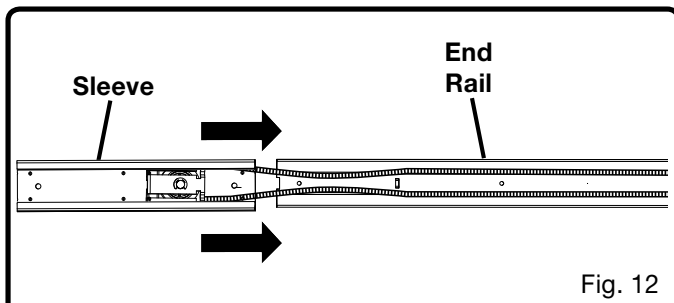


Fig. 12

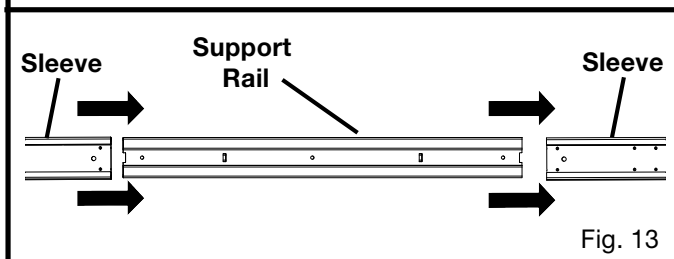


Fig. 13

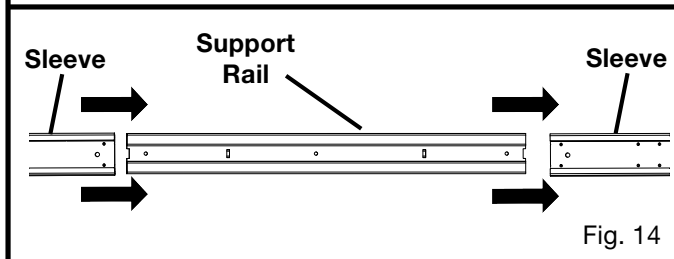


Fig. 14

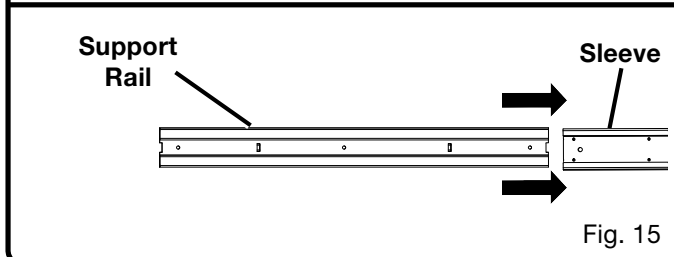


Fig. 15

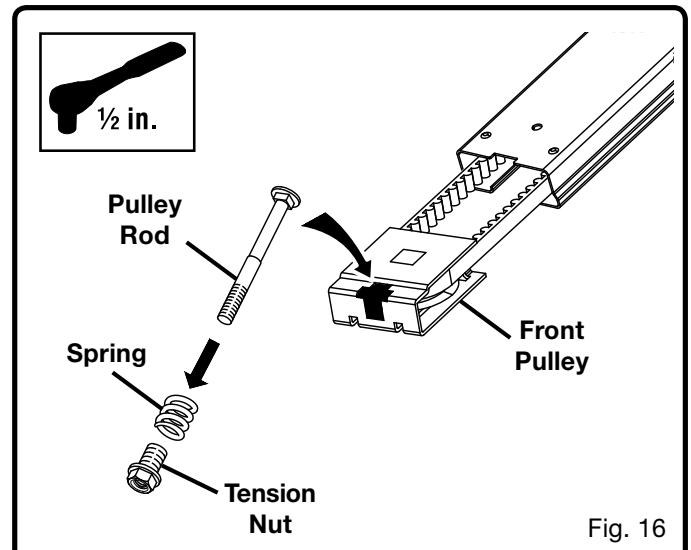


Fig. 16

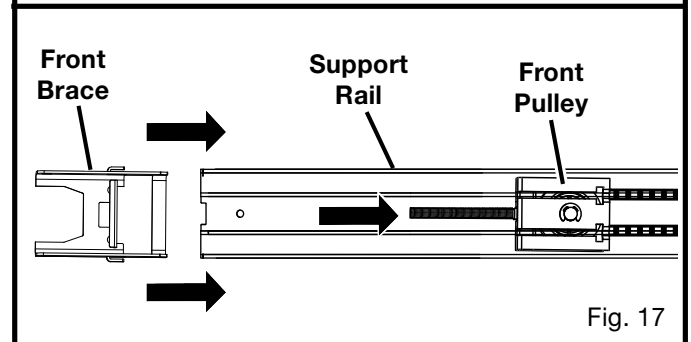


Fig. 17

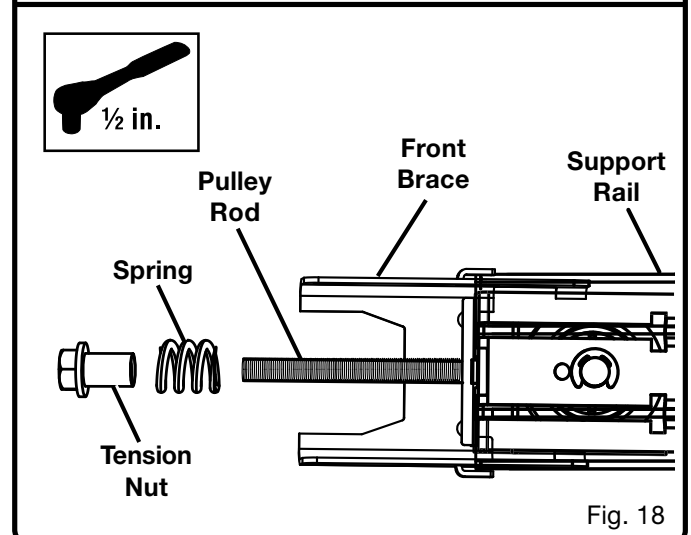


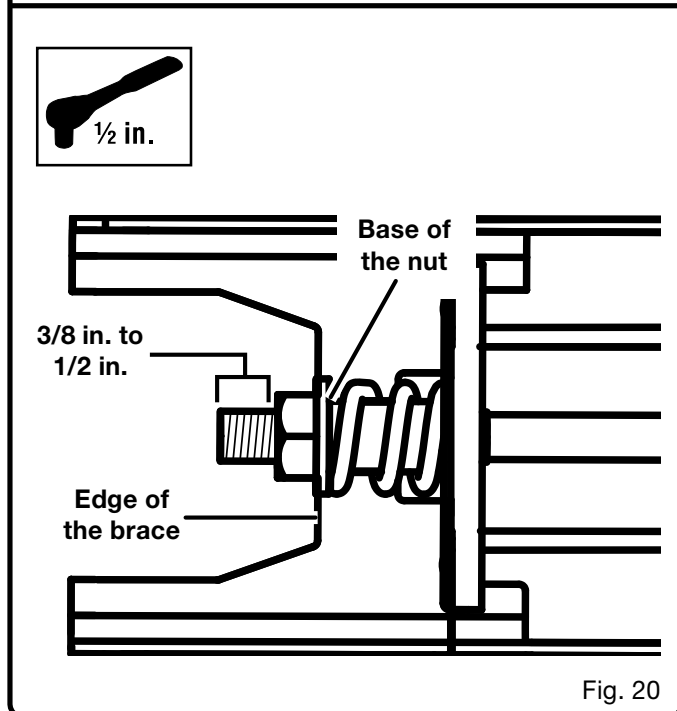
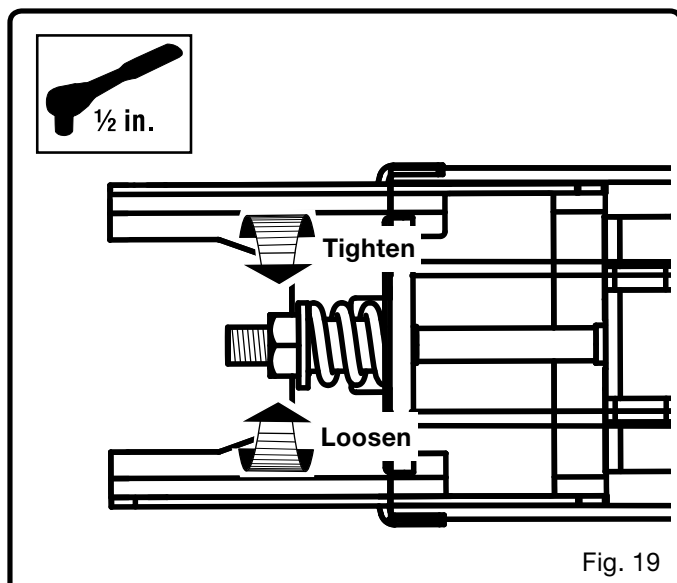
Fig. 18

ASSEMBLY

ADJUSTING THE BELT TENSION

See Figures 18 - 21.

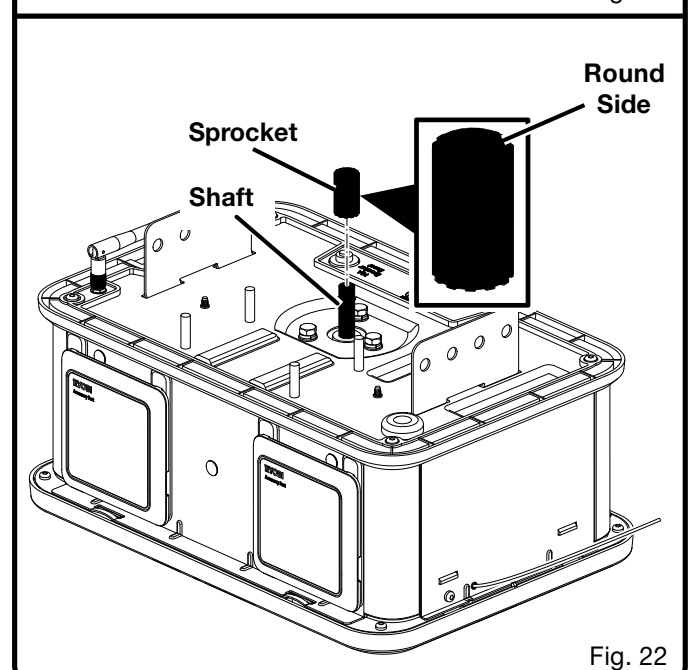
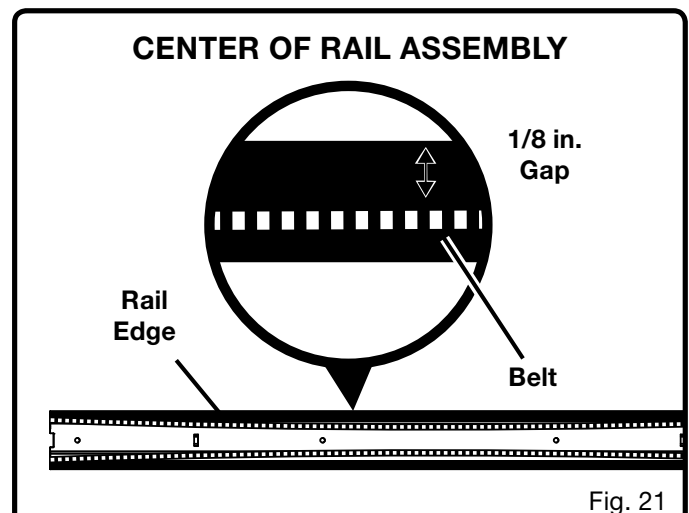
- Using a 1/2 in. socket, turn the tension nut clockwise to tighten the belt and counter-clockwise to loosen it. Adjust the nut until there is approximately 3/8 to 1/2 in. of exposed thread showing above it or until the base of the nut is aligned with the edge of the brace.
- When properly tensioned, there should be about a 1/8 in. gap between the belt and the edges of the rail near the center of the rail assembly.



ATTACHING RAIL ASSEMBLY TO POWER HEAD

See Figures 22 - 25.

- Locate the following items:
 - Power Head
 - Bracket (2)
 - Nut (7/16 in.) [4]
 - Sprocket
 - Rail Assembly
- Place the power head on a towel or the packaging material with the light cover facing down. Do not place the unit directly on hard surfaces as this may damage the light cover.
- Place the sprocket onto the motor shaft with the round side of the sprocket facing up.



ASSEMBLY

- Hold the rail assembly above the sprocket on the power head.
- Rotate the rail assembly until the opening in the rail is aligned with the sprocket.
- Lower the rail assembly onto the sprocket with the channel (open end) facing down. Slowly rotate the rail to the correct orientation as you lower it into position.
- When installed correctly, the teeth on the sprocket should engage the rail assembly and the rail should sit flat on the power head.
- Place the brackets on top of the studs, and over the end rail.
- Place nuts onto the studs and tighten using a $\frac{7}{16}$ in. socket. **Do not overtighten.**
- Remove the tape securing the Wi-Fi antenna and raise it to an upright position to ensure the best Wi-Fi signal.

NOTE: Ensure that the antenna is screwed into the power head securely.

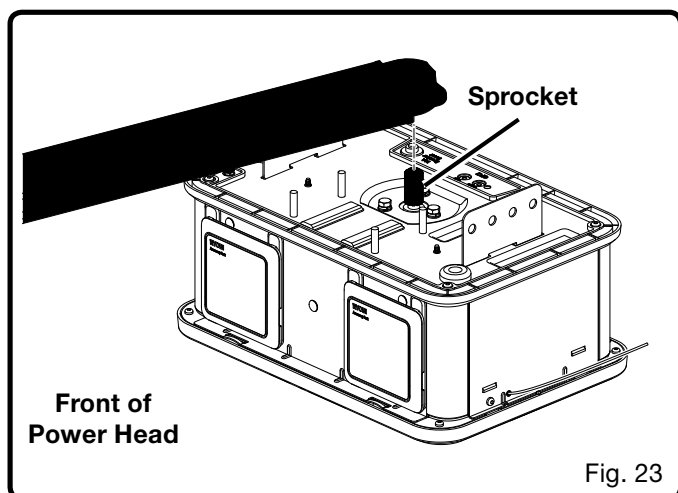


Fig. 23

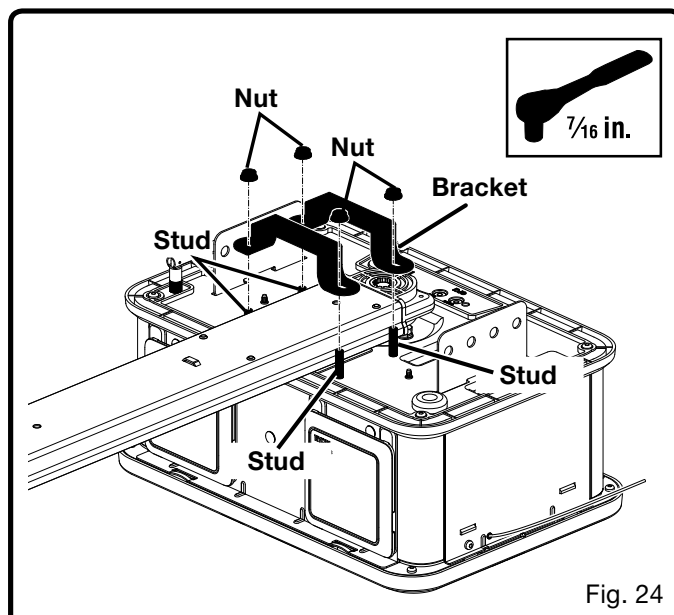


Fig. 24

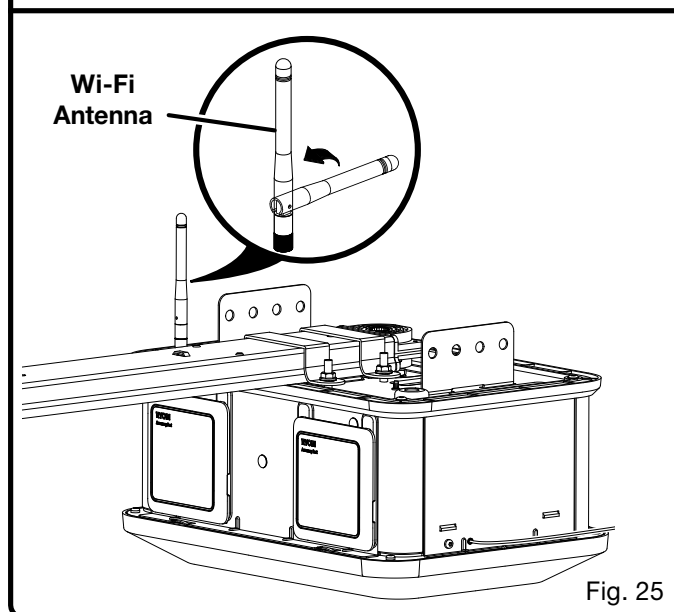


Fig. 25

INSTALLATION

IMPORTANT INSTALLATION INSTRUCTIONS

⚠ WARNING: **TO REDUCE THE RISK OF SEVERE INJURY OR DEATH:**

1. READ AND FOLLOW ALL INSTALLATION INSTRUCTIONS.
2. Install only on a properly balanced garage door. An improperly balanced door could cause severe injury. Have a qualified service person make repairs to cables, spring assemblies, and other hardware before installing opener.
3. Remove all ropes and remove or make inoperative all locks connected to the garage door before installing opener.
4. Where possible, install door opener 7 feet or more above the floor. For products having an emergency release, mount the emergency release within reach, but at least 6 feet above the floor and avoiding contact with vehicles to avoid accidental release.
5. Do not connect opener to source of power until instructed to do so.
6. Locate control button: (a) within sight of door, (b) at a minimum height of 5 feet so small children cannot reach it, and (c) away from all moving parts of the door.
7. Install Entrapment Warning Label next to the control button in a prominent location. Install the Emergency Release Marking. Attach the marking on or next to the emergency release.
8. After installing opener, the door must reverse when it contacts a 1-1/2 inch high object (or a 2 by 4 board laid flat) on the floor.
9. **WARNING:** To reduce the risk of injury to persons - Only enable the unattended operation feature when installed on a sectional door.

⚠ WARNING:

To reduce the risk of injury to persons – Only enable the RYOBI Garage Door Opener Accessory System App feature when installed with a sectional door.

⚠ WARNING:

Do not connect the garage door opener to a power supply during installation unless specifically instructed to do so. Failure to comply could result in accidental starting and possible serious personal injury.

⚠ WARNING:

To avoid serious personal injury, make sure the garage door opener is mounted to joists. Never mount the unit to drywall or false ceiling grids.

⚠ WARNING:

Always wear eye protection with side shields marked to comply with ANSI Z87.1 when installing this product. Failure to do so could result in objects being thrown into your eyes resulting in possible serious injury.

NOTICE:

Many of the illustrations in this manual show only portions of the garage door opener. This is intentional so that we can clearly show points being made in the illustration. Never operate the garage door opener without all parts securely in place and in good operating condition.

⚠ WARNING:

If you feel uncomfortable performing any of the installation steps described in this manual, have the installation performed by a qualified service person. Improper installation of the garage door opener can result in death, serious personal injury, or property damage.

INSTALLATION

⚠ WARNING:

Many of the steps described in this INSTALLATION section require the use of a ladder. Use extreme care when standing on a ladder. Ensure someone is holding the ladder on the ground to keep it stable. Failure to safely use a ladder can cause a fall and result in death or serious personal injury.

CHECK THE CONDITION OF THE DOOR AND IDENTIFY THE SPRING TYPE

See Figure 26 - 28.

⚠ WARNING:

If the garage door does not move smoothly, binds, or is out of balance, have it repaired or replaced by a qualified service person. An unbalanced or damaged garage door may not reverse on command, which can result in death or serious personal injury.

NOTICE:

The garage door opener may not function as intended if installed onto an unbalanced garage door.

- Remove any ropes attached to the garage door.
- Disable any and all door locks.
- Raise and lower the door to ensure it moves smoothly.
- Check the balance of the door. Raise the door until it is half open and release it. If properly balanced, the door will remain in this position without moving.

NOTE: For single-panel garage doors, balance can be checked at two additional positions. Raise the door until it is nearly in the fully open position (about shoulder height) and release it. If properly balanced, the door should move to the fully open position. Lower the door until it is nearly in the fully closed position (about knee height). If properly balanced, the door should move to the fully closed position.

- If the door does not move smoothly, binds, or is out of balance, this could indicate a problem with the door, door springs (torsion spring and/or extension spring), or door spring components. Have the garage door or door springs repaired by a qualified service person before installing the garage door opener.

Half-Open Position

Sectional Door

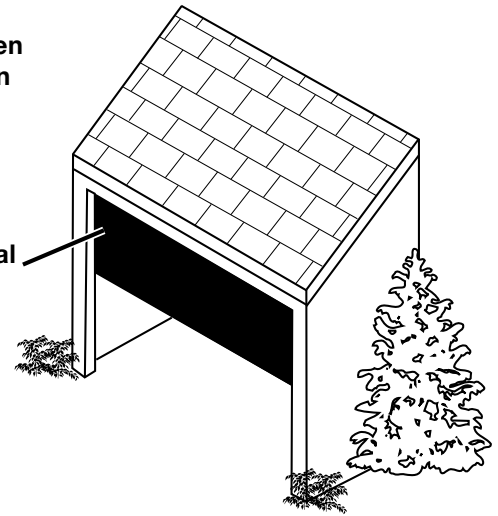


Fig. 26

Half-Open Position

Single-Panel Door

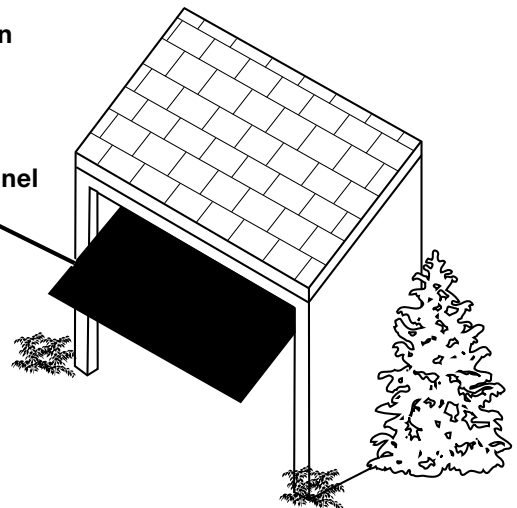


Fig. 27

Torsion Spring

Extension Spring

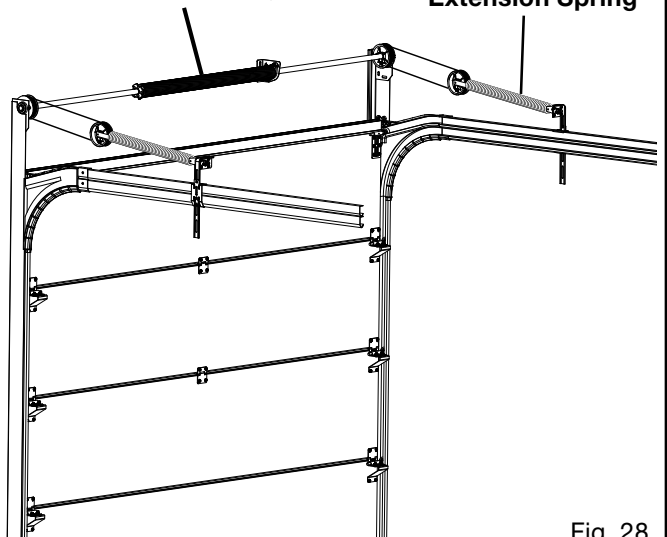


Fig. 28

INSTALLATION

⚠ WARNING:

Never attempt to loosen, adjust, or remove the door springs (torsion spring and/or extension spring), door spring components, or any surfaces to which these items are secured. These items are under extreme tension and any such alteration could result in death, serious personal injury, or property damage.

- If the door moves smoothly and is balanced, you may begin installing the garage door opener.

INSTALLING THE HEADER BRACKET

See Figures 29 - 31.

⚠ WARNING:

To avoid serious personal injury, attach header bracket to sound structural support on header wall. NEVER install the header bracket onto weak surfaces such as drywall that can cause the header bracket to fall.

⚠ WARNING:

ALWAYS use lag screws and concrete anchors (not included) when installing the header bracket or 2x4 into concrete, brick, or other masonry. Failure to properly install the header bracket and associated hardware can result in a falling object hazard and result in death or serious personal injury.

⚠ WARNING:

Only install screws, bolts, anchors, and other hardware into sound structural supports in areas where no electrical wires, utility cables, pipes, or other obstructions are located. Contact your local utility company or a qualified electrician if you are unsure. Ensure all hardware components are securely installed to prevent falling objects. Failure to follow these instructions can result in death, electrical shock, or other serious personal injury.

Always install the header bracket onto a sturdy surface. The force required to raise and lower the garage door could pull the bracket and mounting hardware out of weak surfaces such as drywall. For some installations, it may be necessary to create a suitable location for the bracket by installing a 2x4 board. The 2x4 board can be installed between two studs or into masonry using lag screws and concrete anchors (not supplied).

- Locate the following items:

Header Bracket

Lag Screw (1/2 in. x 1-1/2 in.) [2]

To install the bracket to the header wall:

- Lower the garage door completely.
- Using a pencil and a level, draw a vertical line in the center of the top portion of the garage door.
- Continue drawing the center line from the door to the header wall. Extend the line to about a foot above the garage door or as far as possible.

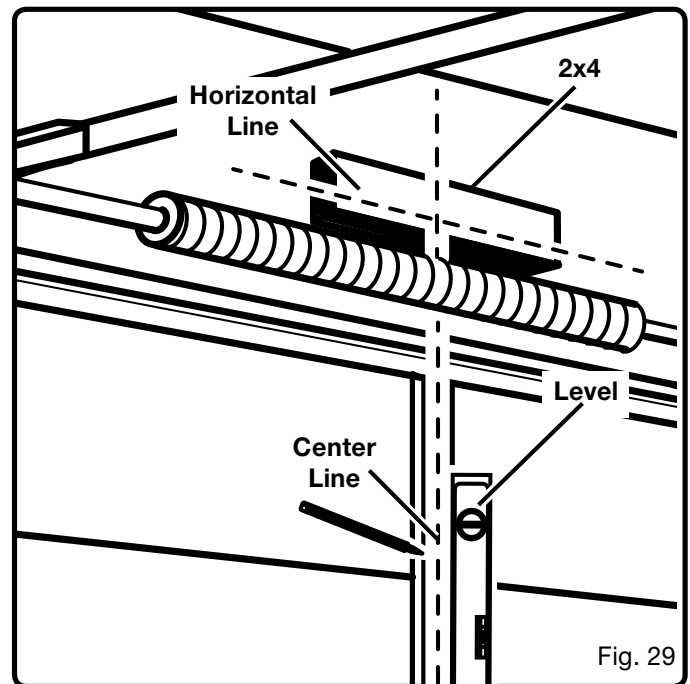
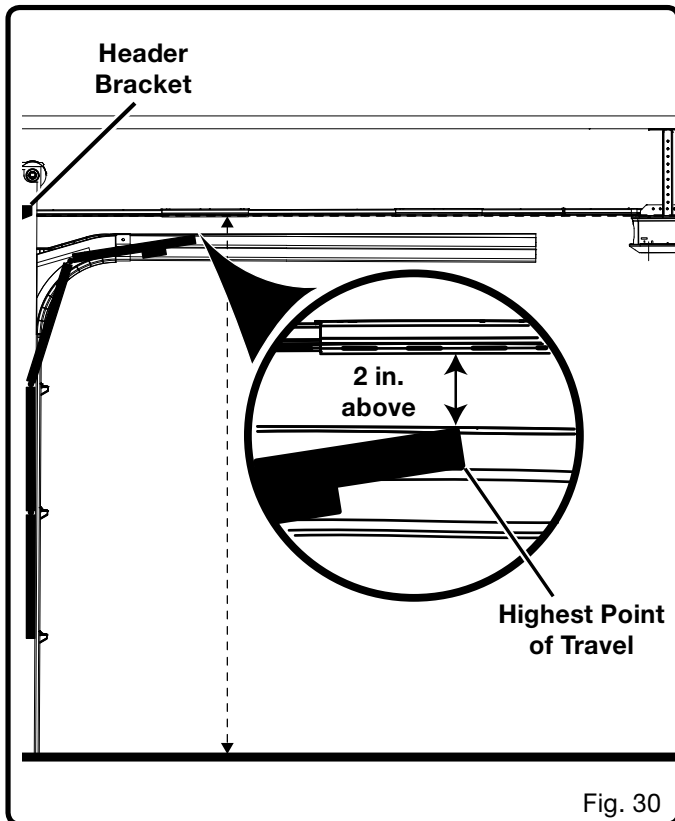


Fig. 29

INSTALLATION

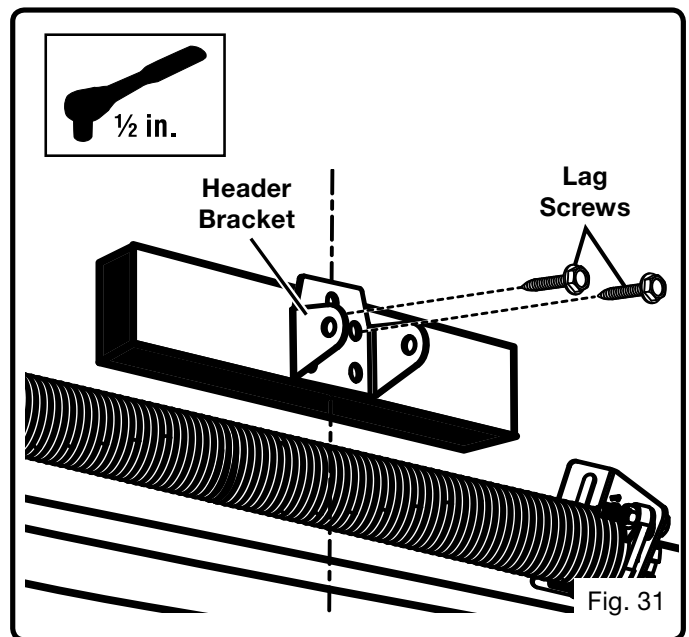
- Stand on a ladder near the garage door as someone slowly raises it. While it's moving, find and mark the highest point of travel along the center line. The high point will vary based on the type and construction of your garage door, but typically it will be 10-12 inches above the top of the door.



- Draw a bisecting horizontal line above the high point:
 - For sectional or single-panel garage doors with tracks, the line should be approximately two inches above the high point.
 - For single-panel garage doors without tracks, the line should be approximately 8 in. above the high point.

NOTE: The position of the horizontal line will determine the clearance between the top of the door and the rail assembly. If the height of your garage prohibits you from drawing the line as specified above, draw it as far above the high point as possible.

- Orient the header bracket as shown in figure 31.
- Place the bottom edge of the header bracket on the horizontal line and center the bracket on the center line.
- Mark the holes in the bracket.
- Drill 3/16 in. pilot holes and secure the bracket in place using lag screws. Install screws with a 1/2 in. socket.



INSTALLATION

ATTACHING RAIL ASSEMBLY TO HEADER BRACKET

See Figure 32.

- Locate the following items:

Large Clevis Pin

Hitch Pin

- Place the power head on top of a prop or on the ground with a towel or packaging material beneath it.

- Angle the rail assembly so that it rests against the header bracket.

NOTE: If a door spring or other obstruction is in the way, have someone hold the garage door opener or help to balance it on a raised support while you position the rail assembly.

- Align the holes in the bracket with the holes in the rail assembly as shown.

- Insert large clevis pin and secure with hitch pin.

NOTE: The hitch pin should be installed into the first hole closest to the head of the pin.

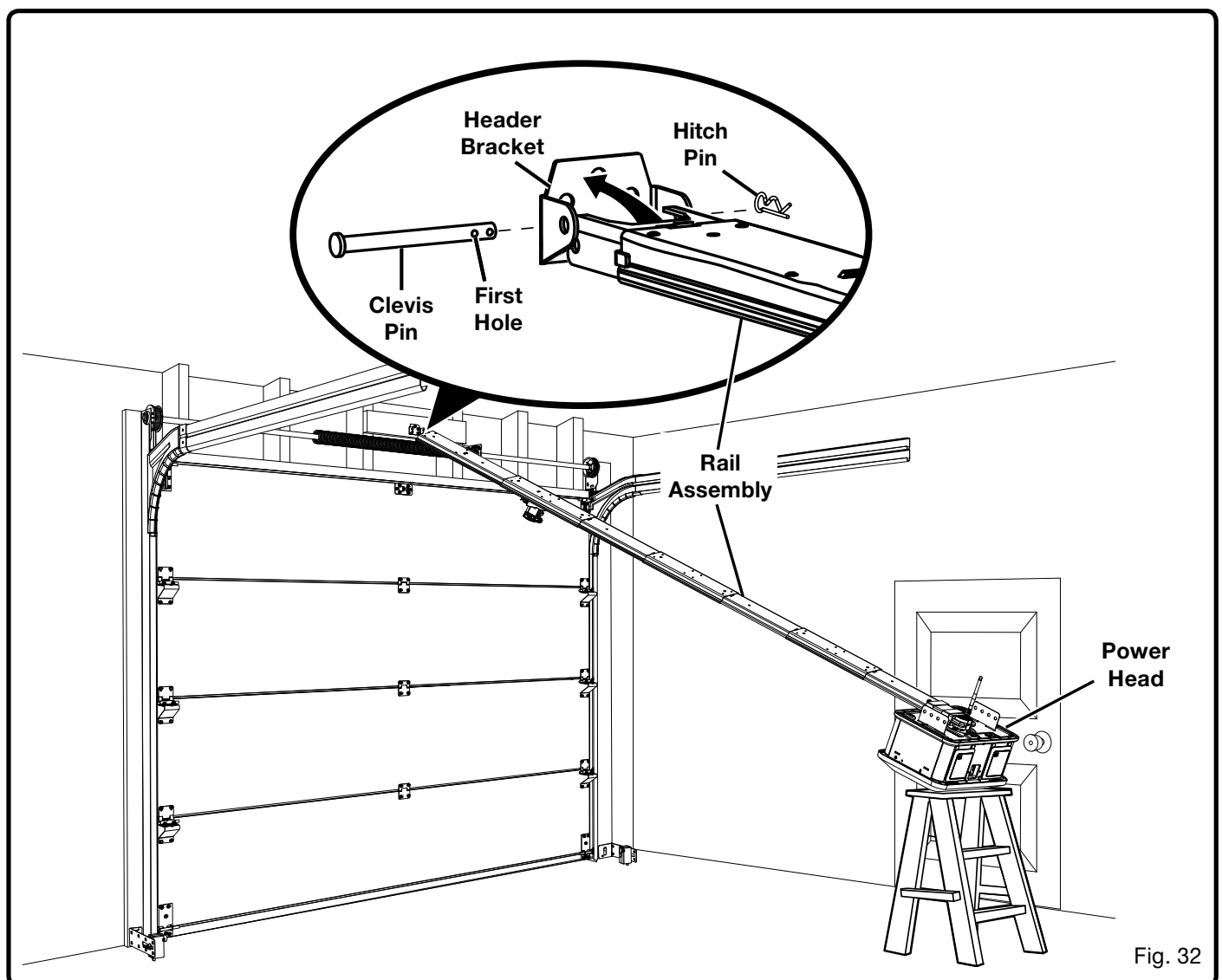


Fig. 32

INSTALLATION

MOUNTING THE POWER HEAD TO THE CEILING

See Figures 33 - 38.

WARNING:

Mount garage door opener to sound structural support on ceiling. NEVER mount the garage door to drywall or false ceiling grids. ALWAYS use concrete anchors when installing brackets into concrete, brick, or other masonry. Failure to properly mount the power head can cause it to fall and could result in death, serious personal injury, or property damage.

- Locate the following items:

Mounting Strap (2)

Bolt (7/16 in. x 3/4 in.) [6]

Washer (7/16 in.) [6]

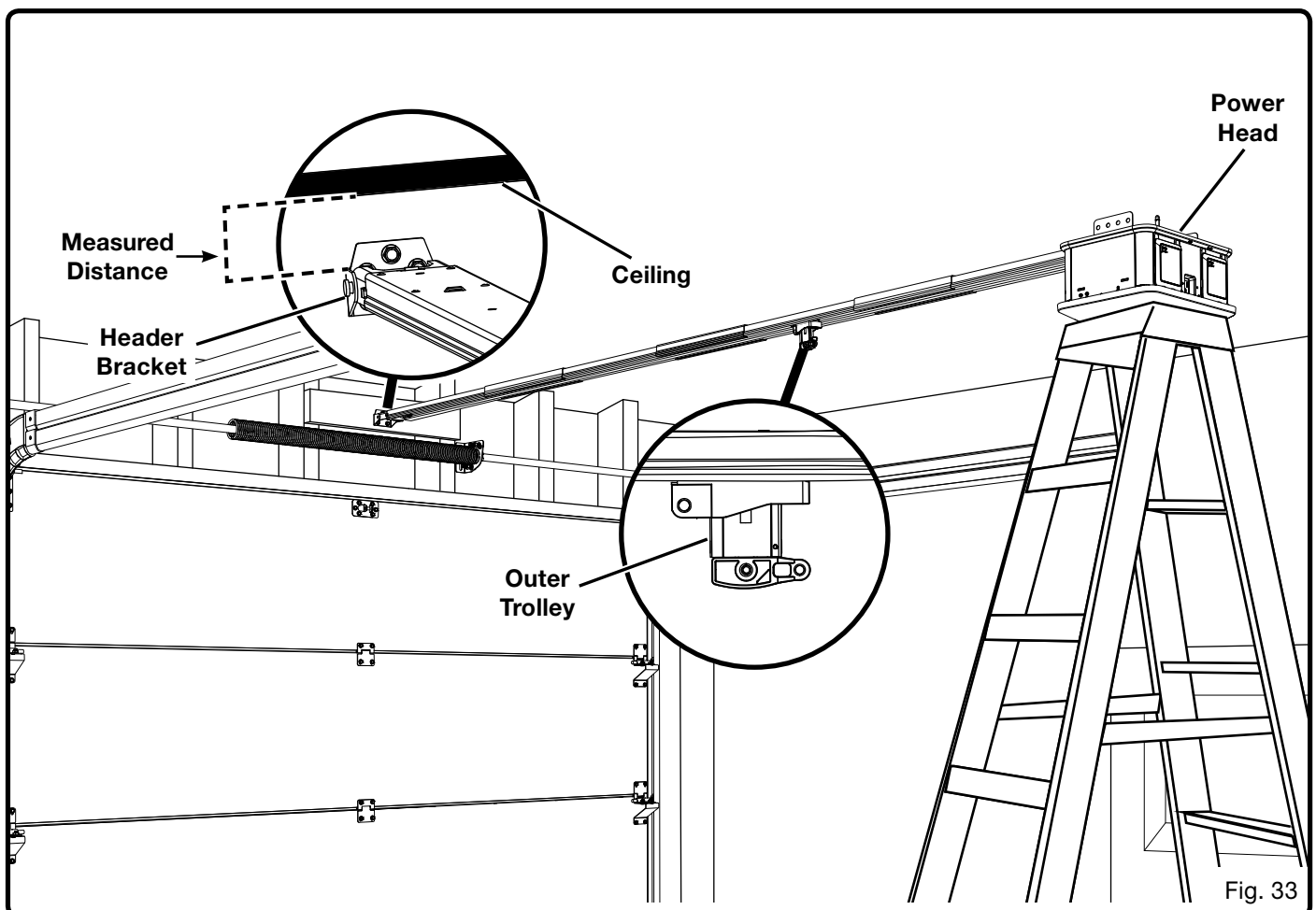
Nut (7/16 in.) [6]

- Lower the garage door completely.
- Measure the space between the header bracket and the ceiling.

NOTE: For unfinished ceilings, measure the space between the header bracket and the nearest joists on either side.

- Carefully lift the power head and place it on top of a ladder.
- Move the power head until it is aligned with the header bracket and the rail assembly is over the center line of the door.
- Pull the trolley release lever down and slide outer trolley completely toward the power head.

NOTE: The proper configuration and placement of brackets and mounting straps will vary based on the design and construction of your garage ceiling. Figures 34 - 38 are meant to serve as examples but your setup may vary.



INSTALLATION

To mount the power head to finished ceilings:

- Install center bracket or brackets (not supplied) to the nearest joists or other structural supports in garage ceiling using lag screws (not supplied).
 - Using a hack saw, cut pieces of the mounting straps that are a half inch longer than the measured length between the header bracket and the ceiling.
- NOTE:** Mounting straps that will be attached diagonally should be cut longer than the vertical measured distance in figure 33.
- Connect straps to garage door opener and brackets using bolts, washers, and nuts. Tighten bolts and nuts with a $\frac{7}{16}$ in. socket.
- NOTE: Install straps and nuts on the inside of the brackets (facing the rail).**
- Remove the ladder and raise the door. If there isn't enough clearance between the rail assembly and the door, move the header bracket up and repeat the steps above.

To mount the power head to unfinished ceilings:

- Using a hack saw, cut pieces of the mounting straps that are a half inch longer than the measured lengths between the header bracket and the nearest joists on either side.
- NOTE:** Mounting straps that will be attached diagonally should be cut longer than the vertical measured distance in figure 33.

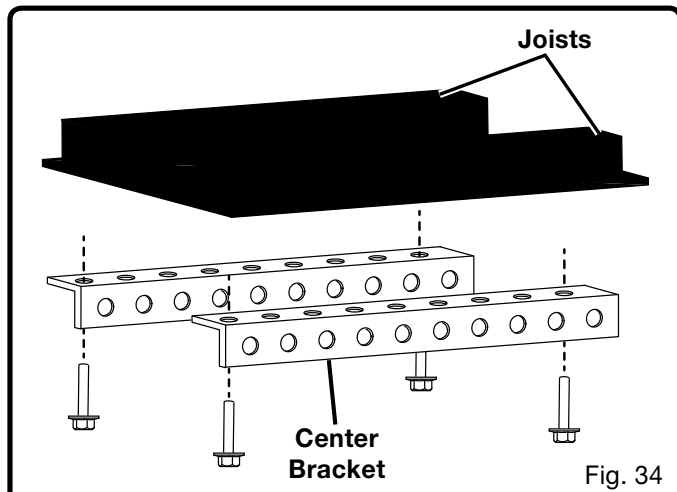


Fig. 34

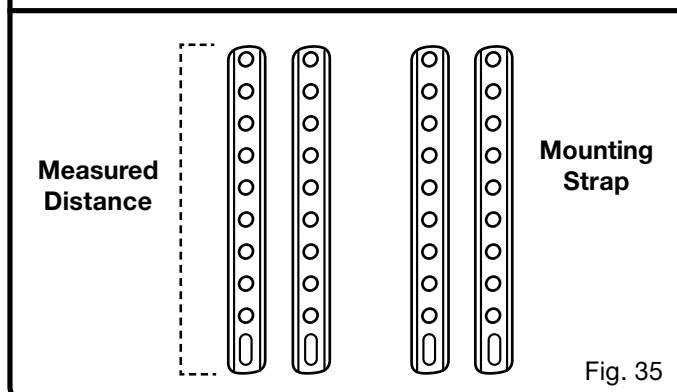


Fig. 35

- Connect straps to garage door opener and to the joists using bolts, washers, and nuts (see figure 38). Tighten bolts and nuts with a $\frac{7}{16}$ in. socket.

NOTE: Install straps and nuts on the inside of the brackets (facing the rail).

- Remove the ladder and raise the door. If there isn't enough clearance between the rail assembly and the door, move the header bracket up and repeat the steps above.

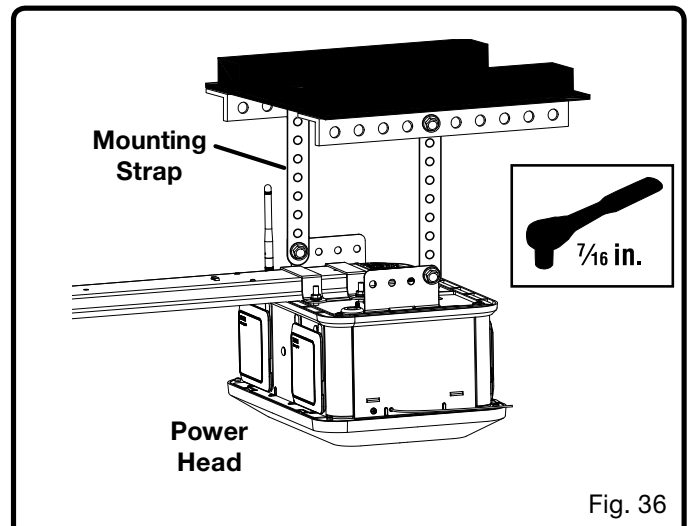


Fig. 36

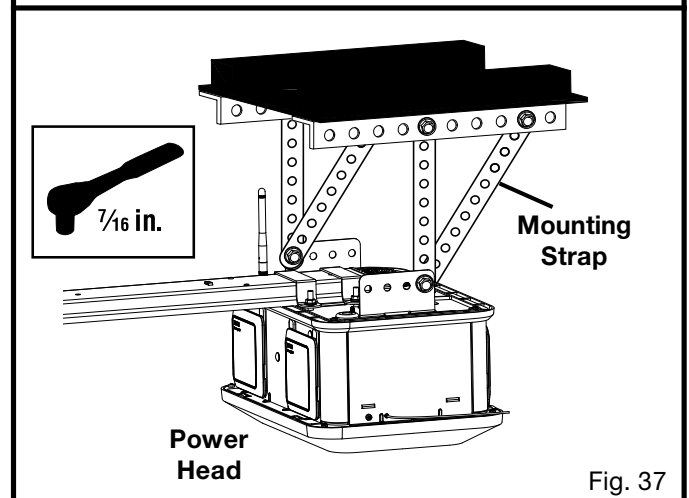


Fig. 37

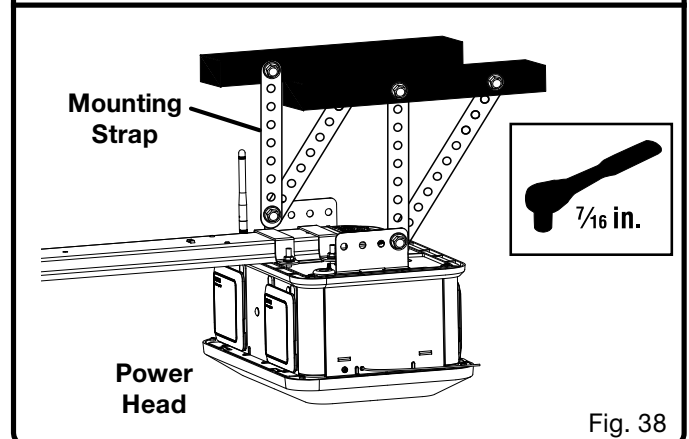


Fig. 38

INSTALLATION

POSITIONING THE RF ANTENNA

See Figure 39.

- Carefully move the antenna so it hangs below the opener.

NOTE: If the RF antenna is not positioned below the opener, the signal reception between the opener and the car remotes may be weakened.

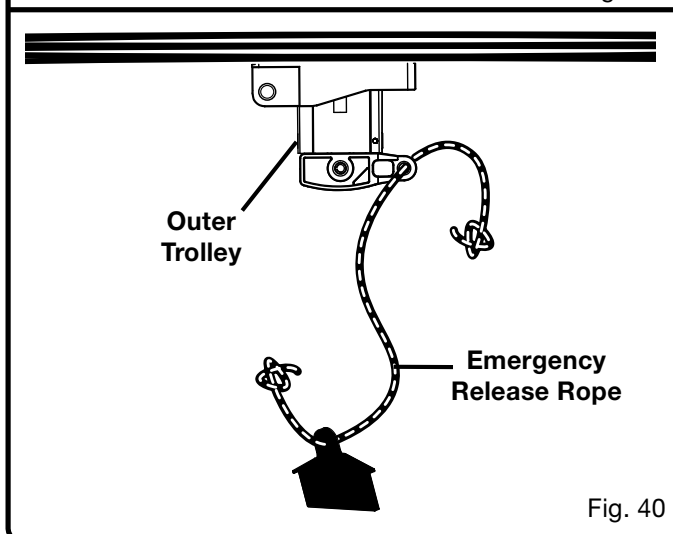
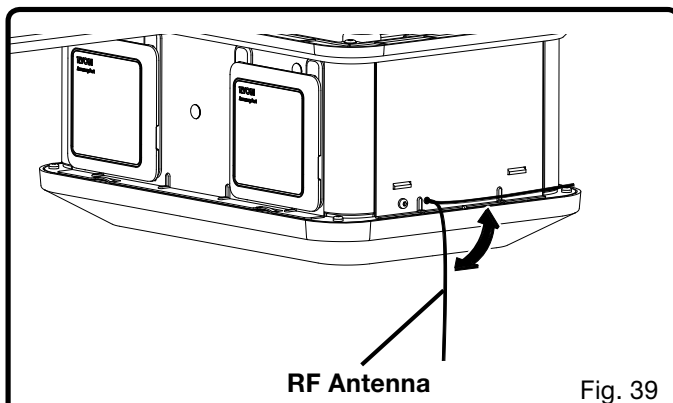
ATTACHING THE EMERGENCY RELEASE ROPE

See Figure 40.

WARNING:

Do not engage the emergency release while the garage door is open, do not use the emergency release rope to raise or lower the garage door, and only engage the emergency release when the door way is clear of all people, pets, and obstructions. Failure to properly engage the emergency release can result in death or serious personal injury resulting from a falling garage door.

- Locate the following item:
Emergency Release Rope



- Lower the garage door completely.
- Insert one end of the emergency release rope through the hole in the handle and tie a knot at the bottom.
- Insert the other end of the emergency release rope through the hole in the trolley release lever. Pull the rope up until it is approximately six feet above the garage floor, then tie a knot.

INSTALLING THE DOOR BRACKET

See Figures 41 - 44.

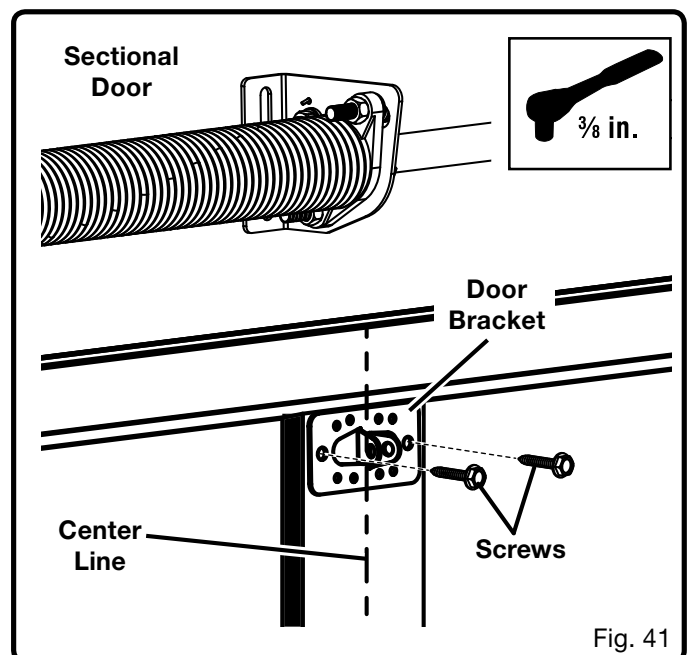
- Locate the following items:
Door Bracket
Self-tapping Screws (2)

NOTICE:

Before installing the door bracket, ensure that your door has proper horizontal and vertical support. Aluminum, fiberglass, and other lightweight garage doors may require vertical or horizontal reinforcement. Check with your garage door manufacturer or installer for reinforcement instructions. Installing a garage door opener on a door that is not properly supported could damage the door and void the door warranty.

To install the bracket on sectional garage doors:

- Lower the garage door completely.
- Using a pencil and a level, draw a vertical line in the center of the top portion of the garage door.
- Center the bracket on the line and place it just below the top of the door or at the same approximate height as the top roller.



INSTALLATION

- Mark the middle holes on the left and right of the bracket.
- Secure the bracket in place by installing self-tapping screws in the center holes on the left and right sides of the bracket. Tighten screws with a 3/8 in. socket.

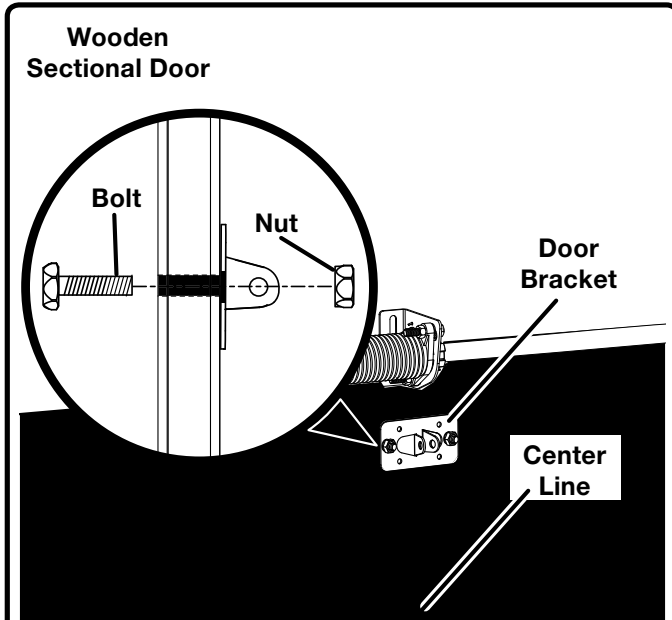


Fig. 42

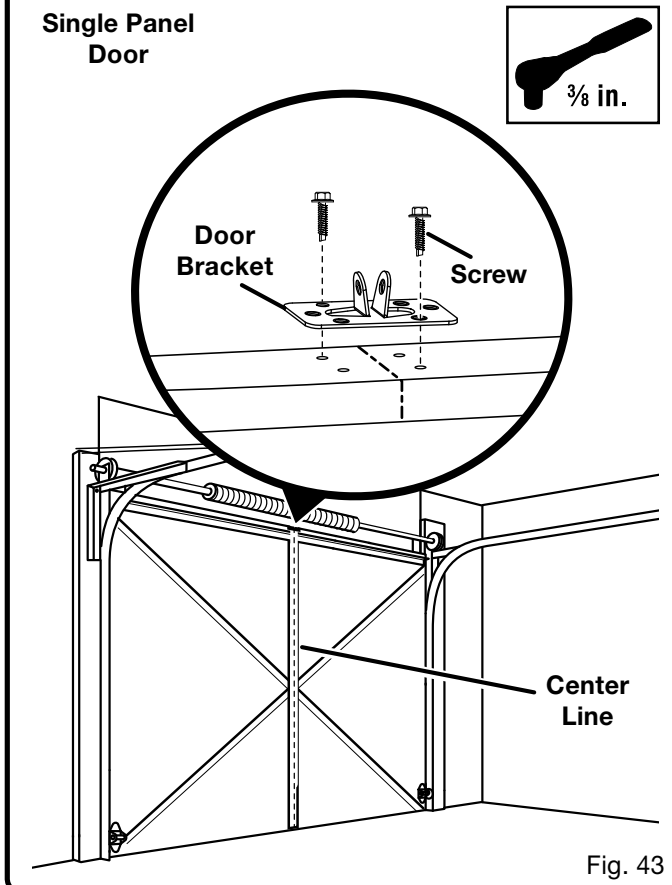


Fig. 43

NOTE: For wooden doors, drill hole completely through the door and install bracket using bolts (not provided) and nuts (not provided), see figure 42.

To install the bracket on single-panel doors:

- Lower the garage door completely.
- Using a pencil and a level, draw a vertical line in the center of the top portion of the garage door.
- Extend the line across the top edge of the door.
- Place the door bracket on the top edge of the door and center it on the line.

NOTE: The bracket can also be placed on the front upper portion of the door if necessary.

- Mark the holes in the bracket.
- Secure the bracket in place using screws. Tighten screws with a 3/8 in. socket.

NOTE: For wooden doors, drill hole completely through the door and install bracket using bolts (not provided) and nuts (not provided).

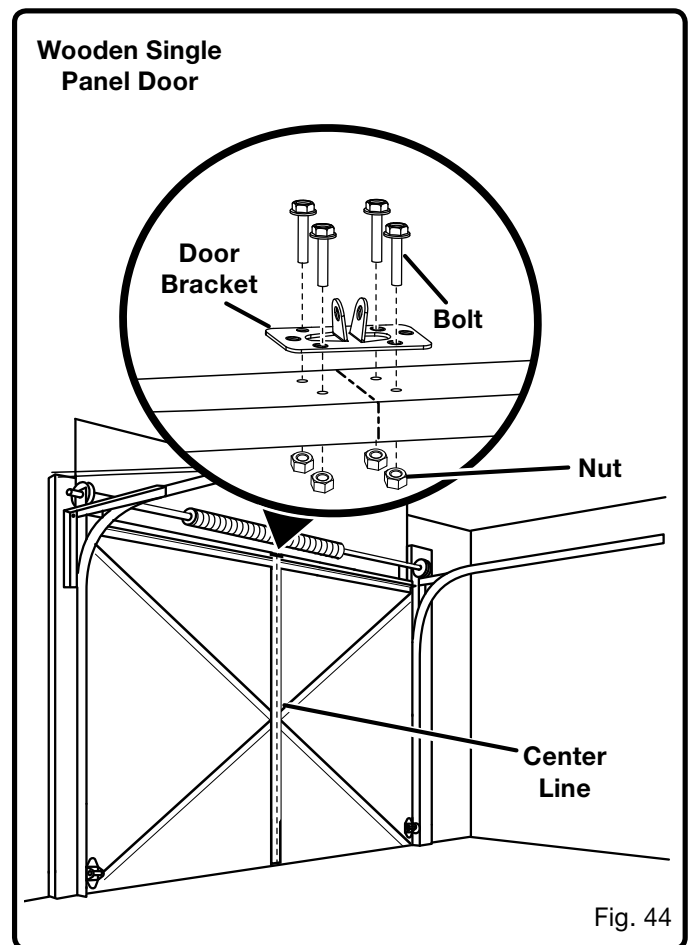


Fig. 44

INSTALLATION

CONNECTING DOOR BRACKET TO OUTER TROLLEY

See Figures 45 - 50.

■ Locate the following items:

- Curved Door Arm
- Straight Door Arm
- Medium Clevis Pin
- Small Clevis Pin
- Hitch Pins (2)
- Bolts (1/2 in. x 1 in.) [2]
- Lock Nuts (1/2 in.) [2]

To connect sectional doors:

- Lower the garage door completely.
- Pull the emergency release rope down and slide outer trolley toward the garage door.
- Secure straight door arm to the rear of the outer trolley using medium clevis pin and hitch pin.
- Secure curved door arm to the door bracket using small clevis pin and hitch pin.
- Bring the curved and straight arms together. Choose two sets of aligned holes and install bolts and nuts. Tighten bolts and nuts with a 1/2 in. socket.

NOTE: For better rigidity, install fasteners in holes that are as far apart as possible.

NOTE: If the holes in the arm do not align, remove the straight door arm and reattach it in the reverse position.

- If the straight door arm hangs too low after assembly, you can shorten the length of the arm by cutting off up to 6 inches.

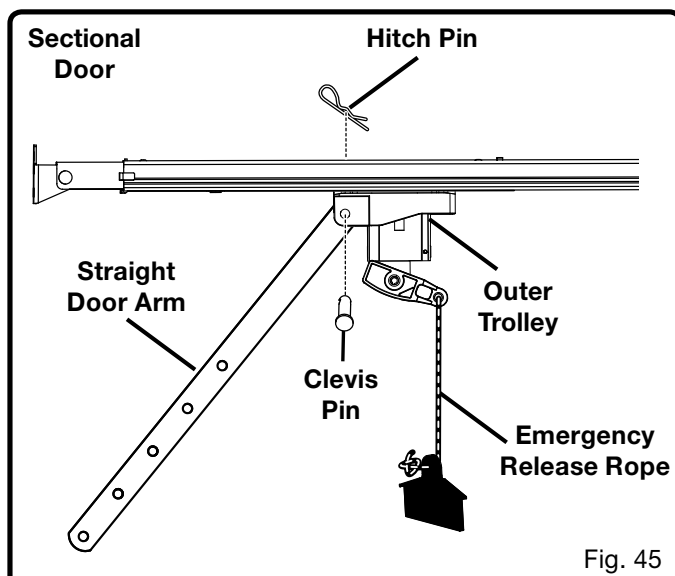


Fig. 45

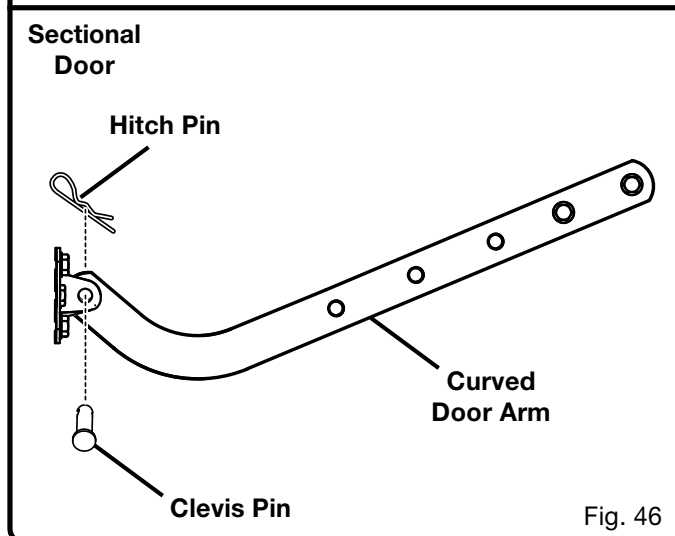


Fig. 46

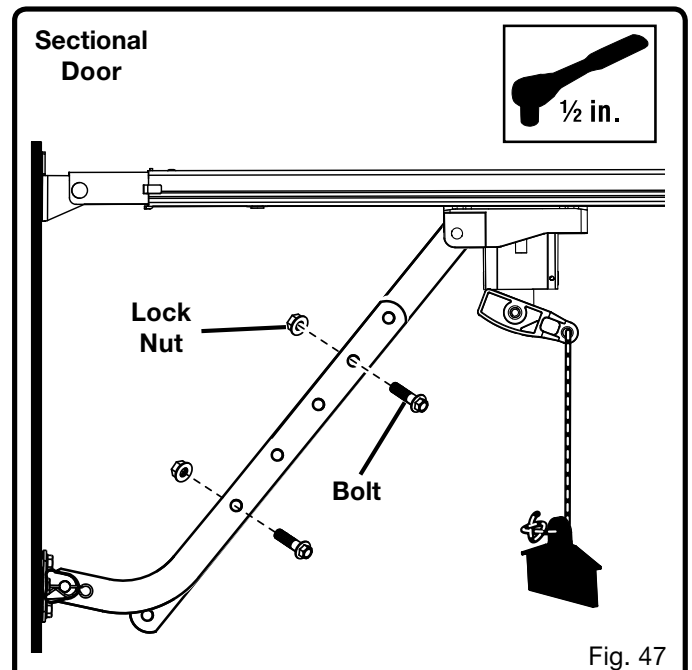


Fig. 47

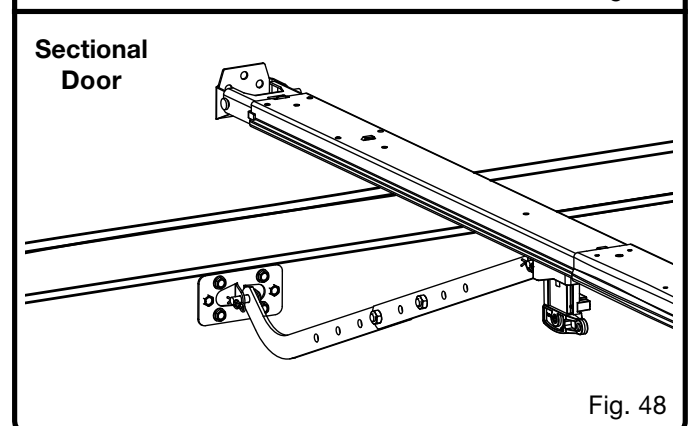


Fig. 48

INSTALLATION

To connect single-panel doors:

- Lower the garage door completely.
- Pull the emergency release rope down and slide outer trolley toward the garage door.
- Place the curved and straight arms together and align the holes.
- Choose two sets of aligned holes and install bolts and nuts. Tighten bolts and nuts with a 1/2 in. socket.

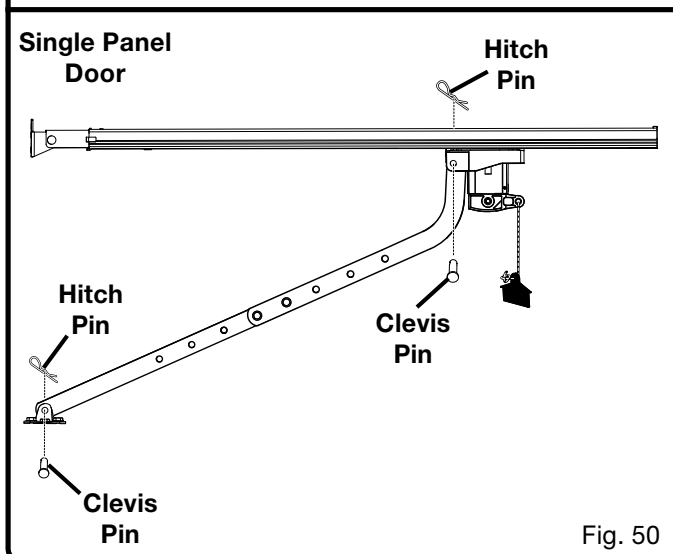
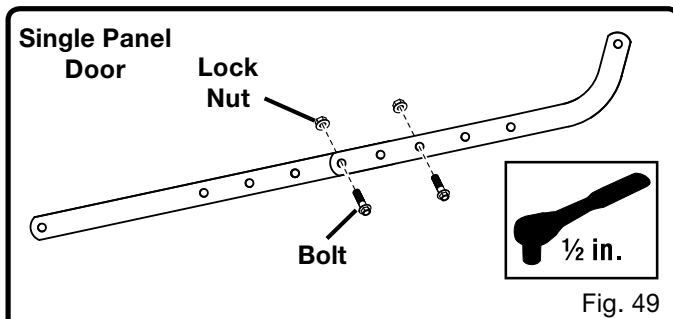
NOTE: For better rigidity, install fasteners in holes that are as far apart as possible.

- Secure straight door arm to the door bracket using small clevis pin and hitch pin.
- Secure curved door arm to the rear of the outer trolley using medium clevis pin and hitch pin.

INSTALLING THE SAFETY SENSORS

See Figures 51 - 56.

- Locate the following items:
Safety Sensors (2)
Insulated Staples (approx. 16)
Wing Nut (2)
Bracket (2)
Nail (2 in.) [2]
Lag Screw (7/16 in. x 1-1/2 in.) [2]



⚠ WARNING:

DO NOT operate the garage door opener unless the safety sensors are installed and working correctly. Failure to properly install and ensure that the safety sensors are working correctly can result in death or serious personal injury.

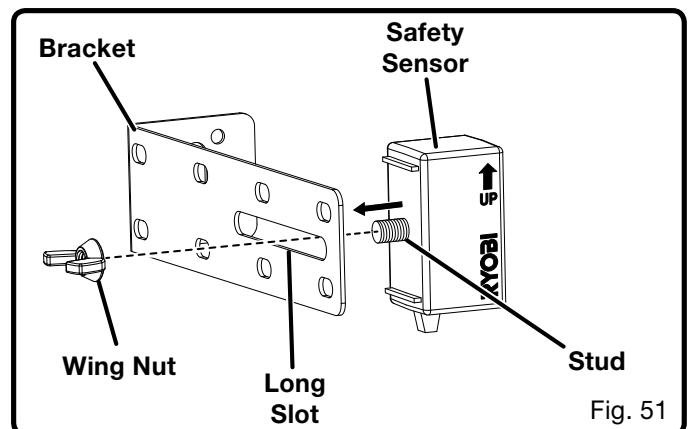
⚠ WARNING:

The top of the sensor should be between four and six inches above the floor. This will ensure that the door reverses should a child, pet, or small object move beneath the door as it lowers. Improper placement of the safety sensors can result in death or serious personal injury.

⚠ WARNING:

The effectiveness of the safety sensors included in this system directly relates to the placement and installation of the sensors. Incorrect placement or installation could prevent the sensors from working as intended and result in death or serious personal injury.

- Assemble the safety sensors by inserting the sensor stud through the long slot in the bracket and securing with a wing nut.
- Lower the garage door completely.
- Position both sensors on either side of the interior of the garage door and point the lenses toward each other. The arrow should be facing up.



INSTALLATION

NOTE: The top of the sensor should be between four and six inches above the floor.

NOTE: The receiving sensor has a green LED. Ensure that the lens on this sensor is not exposed to direct sunlight.

- Mark the position of the hole in the bracket.
- Secure brackets in place using nails or drill 3/16 in. pilot holes and secure with lag screws. Tighten screws with an 7/16 in. socket.

NOTE: Use lag screws and concrete anchors (not included) when installing the brackets into concrete, brick, or other masonry.

⚠ WARNING:

To avoid the risk of death, electric shock, or serious personal injury ensure that the garage door opener is unplugged before wiring the sensors.

⚠ WARNING:

Connect the sensors using low voltage wires provided only. Using other wires may cause signal interference or malfunction and can result in electric shock or serious personal injury.

- Route the wires from the sensors to the door sensor wire terminals. Attach the wires to the wall and ceiling using the insulated staples. Secure the staples to the wall and ceiling using a hammer.
- Using wire strippers, strip 1/2 in. of insulation from the ends of each wire.
- To install or remove wires from a wire terminal, depress the tab beside the terminal.

