

Anderson 22 in. Enclosed Ceiling Fan

Anderson de 22 po Ventilateur de plafond

Ventilador de techo cerrado Anderson de 22 pulg.

CF0111

CF0121

CF0131

CF0141



### TABLE OF CONTENTS

\*\*\*\*\*

■ Important Safety Instructions .....	2
■ Symbols .....	3
■ Package Contents .....	4-5
■ Tools Needed .....	5
■ Product Specifications.....	6
■ Installation.....	6-15
■ Operation .....	16-17
■ Maintenance .....	18
■ Troubleshooting .....	19
■ Accessories.....	19
■ Warranty.....	20
■ Parts Ordering and Service.....	Back Page

#### **⚠ WARNING :**

To reduce the risk of injury, the user must read and understand the operator's manual before using this product.

**SAVE THIS MANUAL FOR  
FUTURE REFERENCE**

### TABLE DES MATIÈRES

\*\*\*\*\*

■ Instructions importantes concernant la sécurité .....	2
■ Symboles .....	3
■ Contenu de l'emballage.....	4-5
■ Outils nécessaires.....	5
■ Fiche technique .....	6
■ Installation.....	6-15
■ Utilisation .....	16-17
■ Entretien.....	18
■ Dépannage.....	19
■ Accessoires.....	19
■ Garantie .....	20
■ Commande de pièces et dépannage.....	Page arrière

#### **⚠ AVERTISSEMENT :**

Pour réduire les risques de blessures, l'utilisateur doit lire et veiller à bien comprendre le manuel d'utilisation avant d'employer ce produit.

**CONSERVER CE MANUEL  
POUR FUTURE RÉFÉRENCE**

### ÍNDICE DE CONTENIDO

\*\*\*\*\*

■ Instrucciones de seguridad importantes ...	2
■ Símbolos .....	3
■ Contenido del paquete .....	4-5
■ Herramientas necesarias .....	5
■ Especificaciones del producto.....	6
■ Instalación .....	6-15
■ Funcionamiento .....	16-17
■ Mantenimiento .....	18
■ Solución de problemas.....	19
■ Accesorios .....	19
■ Garantía .....	20
■ Pedidos de piezas y servicio .....	Pág. posterior

#### **⚠ ADVERTENCIA:**

Para reducir el riesgo de lesiones, el usuario debe leer y comprender el manual del operador antes de usar este producto.

**GUARDE ESTE MANUAL  
PARA FUTURAS CONSULTAS**

# IMPORTANT SAFETY INSTRUCTIONS

---

## WARNING

**Read all safety warnings and all instructions.**  
Failure to follow the warnings and instructions may result in electric shock, fire and/or serious injury.




---

## READ AND SAVE THESE INSTRUCTIONS




- Use this unit only in the manner intended by the manufacturer. If you have questions, contact the manufacturer.
- Before beginning installation, read and understand all instructions and safety information. Thoroughly review all assembly information and drawings and be sure you understand the assembly requirements.
- Before installing, servicing, or cleaning unit, switch power off at service panel and lock the service disconnecting means to prevent power from being switched on accidentally. When the service disconnecting means cannot be locked, securely fasten a prominent warning device, such as a tag, to the service panel.
- Installation work and electrical wiring must be done by qualified person(s) in accordance with all applicable codes and standards, including fire-rated construction.
- Installation and wiring must be in accordance with the National Electrical Code, ANSI/NFPA 70 and all local codes. If you are unfamiliar with or unable to comply with these requirements, have ceiling fan installed by a licensed electrician.
- When cutting or drilling into wall or ceiling, do not damage electrical wiring and other hidden utilities.
- If this unit is to be installed over a tub or shower, it must be marked as appropriate for the application and be connected to a GFCI (Ground Fault Circuit Interrupter) — protected branch circuit.
- Do not bend the blade brackets when cleaning the fan. Do not insert foreign objects in between rotating fan blades.
- Mount ceiling fan directly to a structural framing member or to a metal outlet box marked “Acceptable for Fan Support of 35 lbs. or less. For outlet box mounting, use mounting screws provided with the outlet box.
- When using an existing outlet box, make sure it is securely attached to the building structure and can support the full weight of the fan. Most outlet boxes commonly used for the support of lighting fixtures are not acceptable for fan support and would therefore need to be replaced. Do not use a plastic outlet box. Failure to follow this instruction can result in serious injury or death.
- This fan is not designed for use with separate switches to control the light and fan functions. Both functions are controlled by the remote control.
- Do not connect this fan to a dimmer switch. Since all fan and light functions are controlled by the remote control included with the fan, connecting to a dimmer switch can cause erratic performance and damage to the fan.
- To reduce the risk of injury to persons, install ceiling fan so that the blade guard is at least 7 feet above the floor.
- Ensure power is off before beginning installation. After making the wire connections, wires should be spread apart with the grounded conductor and the equipment-grounding conductor on one side of the outlet box and the ungrounded conductor on the other side of the outlet box. Splices should be turned upward and pushed carefully up into the outlet box.
- Always turn fan off and allow to come to a complete stop before reversing blade direction.
- When installation is complete, make sure all connections are secure to prevent ceiling fan from falling.
- **Save these instructions.** Refer to them frequently and use them to instruct others who may use this product. If you loan someone this product, loan them these instructions also.

# SYMBOLS

The following signal words and meanings are intended to explain the levels of risk associated with this product.

SYMBOL	SIGNAL	MEANING
	<b>DANGER:</b>	Indicates a hazardous situation, which, if not avoided, will result in death or serious injury.
	<b>WARNING:</b>	Indicates a hazardous situation, which, if not avoided, could result in death or serious injury.
	<b>CAUTION:</b>	Indicates a hazardous situation, that, if not avoided, may result in minor or moderate injury.
	<b>NOTICE:</b>	(Without Safety Alert Symbol) Indicates information considered important, but not related to a potential injury (e.g. messages relating to property damage).

Some of the following symbols may be used on this product. Please study them and learn their meaning. Proper interpretation of these symbols will allow you to operate the product better and safer.

SYMBOL	NAME	DESIGNATION/EXPLANATION
	Safety Alert	Indicates a potential personal injury hazard.
	Read Operator's Manual	To reduce the risk of injury, user must read and understand operator's manual before using this product.
	Eye Protection	Always wear eye protection with side shields marked to comply with ANSI Z87.1.
V	Volts	Voltage
A	Amperes	Current
Hz	Hertz	Frequency (cycles per second)
W	Watt	Power
min	Minutes	Time
~	Alternating Current	Type of current
n	Rated Speed	Maximum rotational speed
.../min	Per Minute	Revolutions, strokes, surface speed, orbits etc., per minute

# PACKAGE CONTENTS

## ⚠ WARNING:

Items in this section are not assembled to the product by the manufacturer and require installation. Use of a product that may have been improperly assembled could result in serious personal injury.

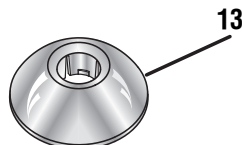
- Remove all parts from the package, and verify that everything listed in this **Package Contents** section are present.
- Inspect the product carefully to make sure no breakage or damage occurred during shipping.
- Do not discard the packing material until you have carefully inspected and satisfactorily operated the product.
- If any parts are damaged or missing, please call 1-877-258-9740 for assistance.

## CEILING FAN PARTS AND ACCESSORIES

Part	Description	Quantity
1	Mounting bracket assembly*	1
2	Pivot ball/downrod assembly	1
3	Canopy*	1
4	Canopy screw cover ring*	1
5	Center arm support	1
6	Decorative arms	3
7	Motor housing cap	1
8	Fan assembly	1
9	Remote receiver	1
10	Remote control	1
11	CR2032 button cell battery	1
12	Remote control wall mount	1
13	Center arm support cover**	1

\*For packing purposes, the mounting bracket assembly, canopy, and canopy screw cover ring are assembled together.

\*\*This part is used only if you install your ceiling fan using an extended-length downrod longer than the one provided in this package.

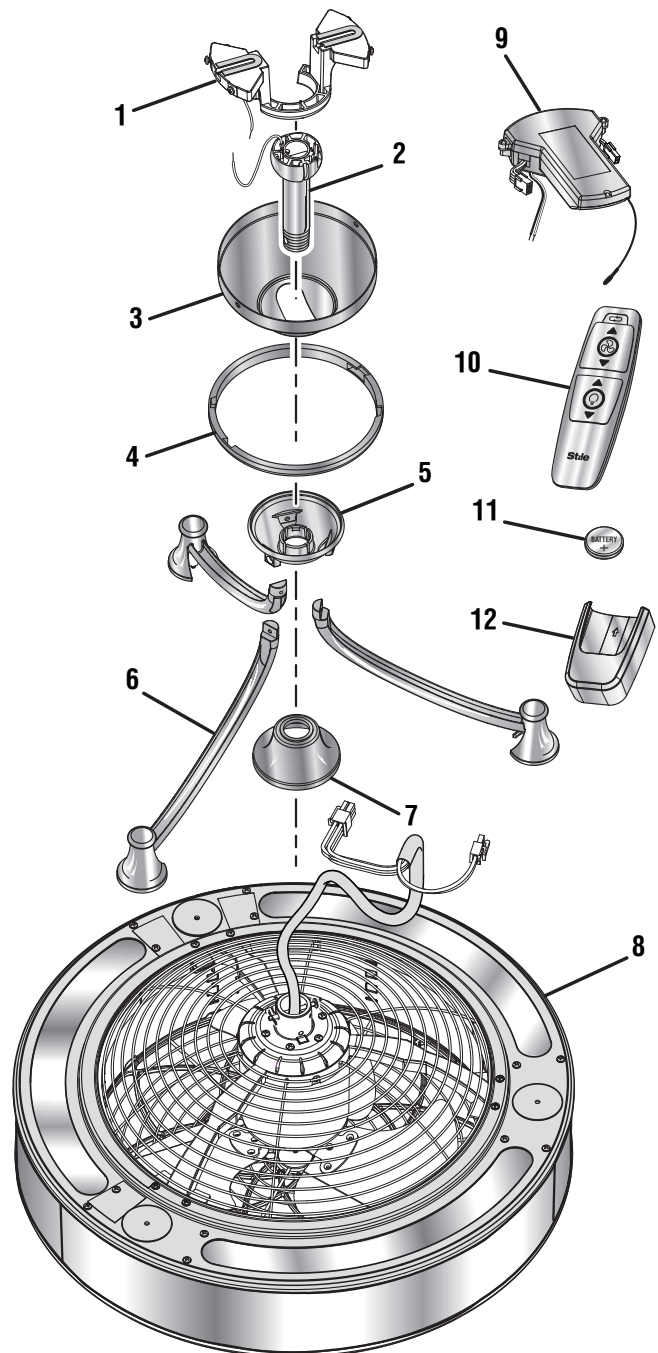


## ⚠ WARNING:

If any parts are damaged or missing, do not operate this product until the parts are replaced. Use of this product with damaged or missing parts could result in serious personal injury.

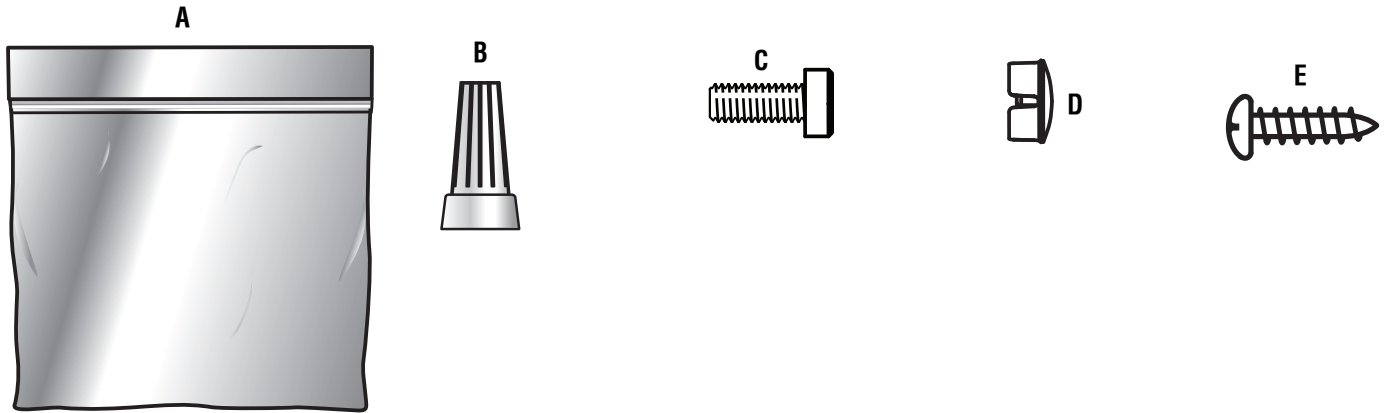
## ⚠ WARNING:

Do not attempt to modify this product or create accessories not recommended for use with this product. Any such alteration or modification is misuse and could result in a hazardous condition leading to possible serious personal injury.



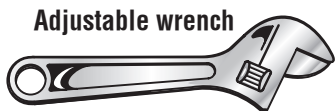
# PACKAGE CONTENTS

## CEILING FAN HARDWARE



Part	Description of Enclosed Installation Hardware	Quantity
A	Canada installation hardware bag	1
B	Wire nuts	4
C	Phillips cap screws	4
D	Phillips cap screw covers	4
E	Remote control wall mount screws	2

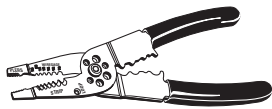
## TOOLS NEEDED



Phillips screwdriver



Step ladder



Wire cutters/Strippers

Flat head screwdriver



# PRODUCT SPECIFICATIONS

Speeds .....Hi - 1,400 r/min. (RPM)  
Med - 940 r/min. (RPM)  
Low - 500 r/min. (RPM)

Airflow (cubic feet per minute).....Hi - 1,437 CFM  
Med - 830 CFM  
Low - 445 CFM

Input ..... 120 V, AC only, 60 Hz, 0.61 Amps Max.  
Remote Control Battery..... CR2032 Button Cell  
Net Weight..... approx. 24 lbs.  
Ceiling Clearance Distance ..... 10.4 in.  
Ceiling Mount Options..... Angled, Standard

## INSTALLATION

### BEFORE YOU BEGIN

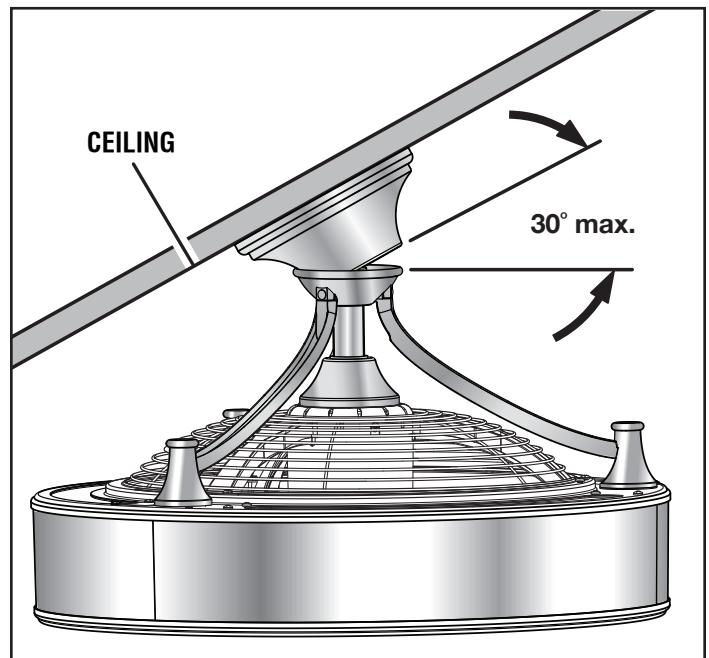
**⚠ WARNING:**

To reduce the risk of fire, electric shock, or personal injury, turn off power to room and wall switch by removing fuses or turning off circuit breakers as needed before beginning installation.

**⚠ WARNING:**

Mount fan only to a metal outlet box marked acceptable for fan support and use only the mounting screws provided with the outlet box. Plastic outlet boxes and outlet boxes commonly used for the support of lighting fixtures may not be acceptable for fan support and may need to be replaced. If you are unsure whether your outlet box is appropriate or uncertain about the proper method for mounting your ceiling fan, contact a qualified electrician.

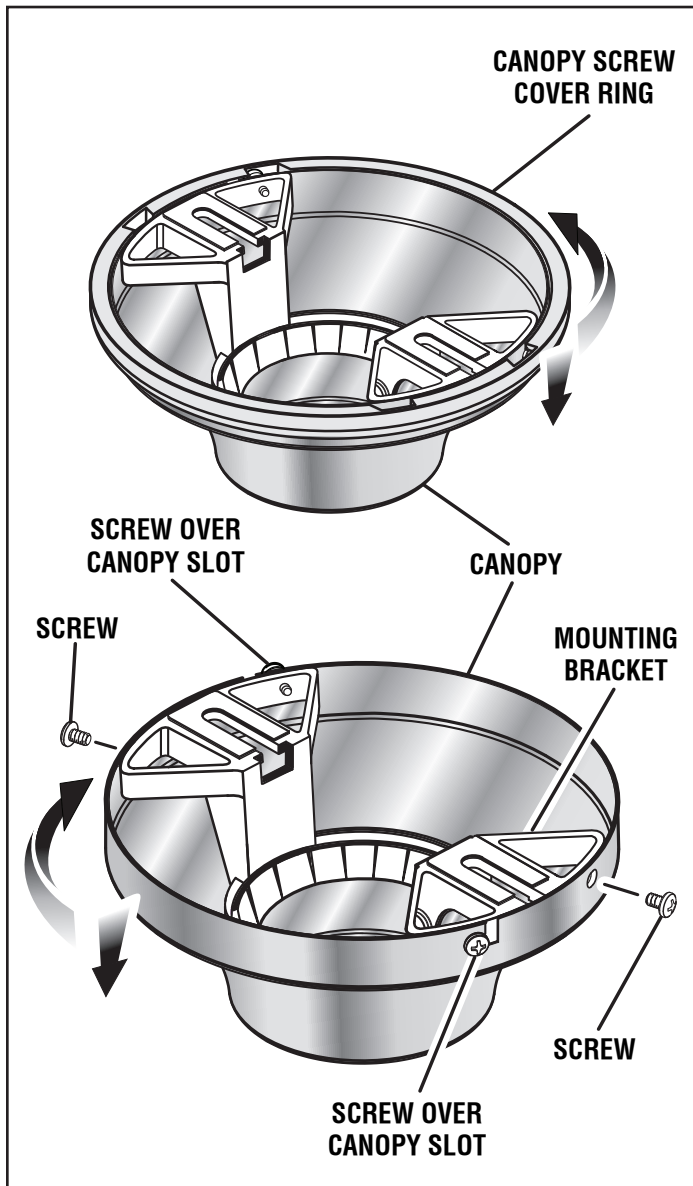
- If your installation site does not have an existing UL-listed metal outlet box, one must be installed before proceeding. Make sure box is mounted directly to the building structure using ceiling joist screws provided with the box.
  - Once installed, there must be at least 7 ft. clearance between the bottom of the ceiling fan and the floor.
  - Ceilings taller than 8 ft. may benefit from an extended-length downrod to achieve the best results.
- NOTE:** If using an extended-length downrod, you will also need a wiring extension cable. See the *Accessories* section later in this manual to determine the correct size extension cable needed to fit your downrod, then visit the retailer where you purchased this fan or call customer service to purchase.
- Angled ceilings must not be steeper than 30° from the horizontal canopy.



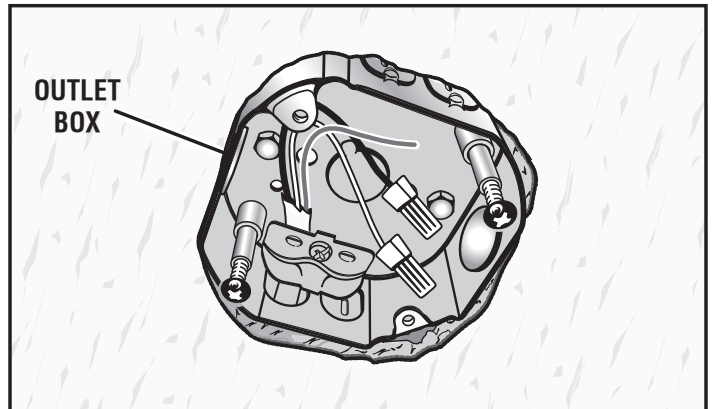
# INSTALLATION

## INSTALLING THE CEILING FAN MOUNTING BRACKET ASSEMBLY

- The mounting bracket assembly, canopy, and the canopy screw cover ring are assembled together for shipping purposes. If you haven't already done so, separate these pieces now.
  - Twist the canopy screw cover ring counterclockwise to release.
  - Loosen the two screws over the slots in the canopy.
  - Remove the two screws securing the canopy to the mounting bracket assembly, then twist the canopy counterclockwise to release from the other two screws.



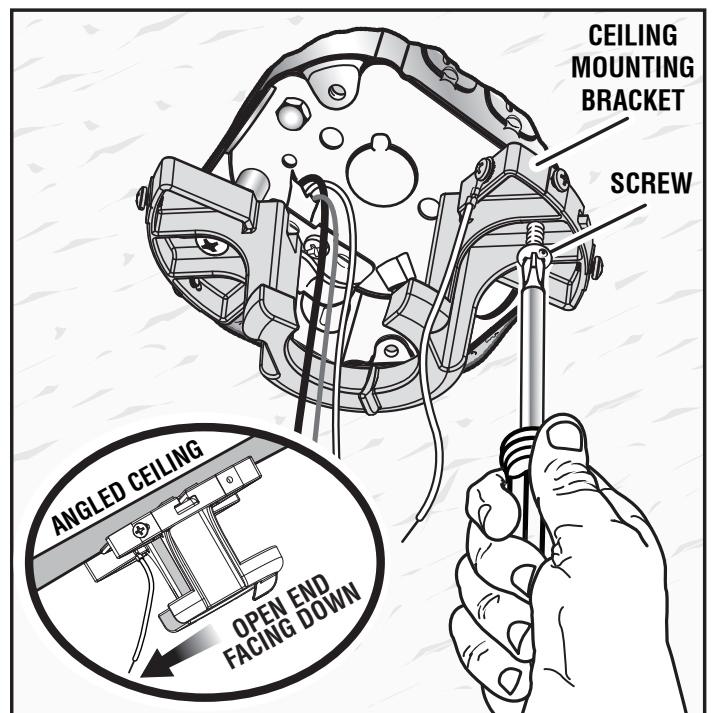
- Remove any existing ceiling fan or light where you intend to install this ceiling fan. Verify the existing outlet box is marked acceptable for fan support up to 35 lbs. and that it is securely fastened to the ceiling joists.



**STOP** For Canada installations, refer to the Canada Installation Addendum located in the Canada Installation Hardware Bag and install the eye bolt or anchor assembly now.

- Using the screws provided with the outlet box, attach the ceiling mounting bracket assembly to the electrical box, passing the 120V electrical supply wires through the hole in the center of the mounting bracket assembly.

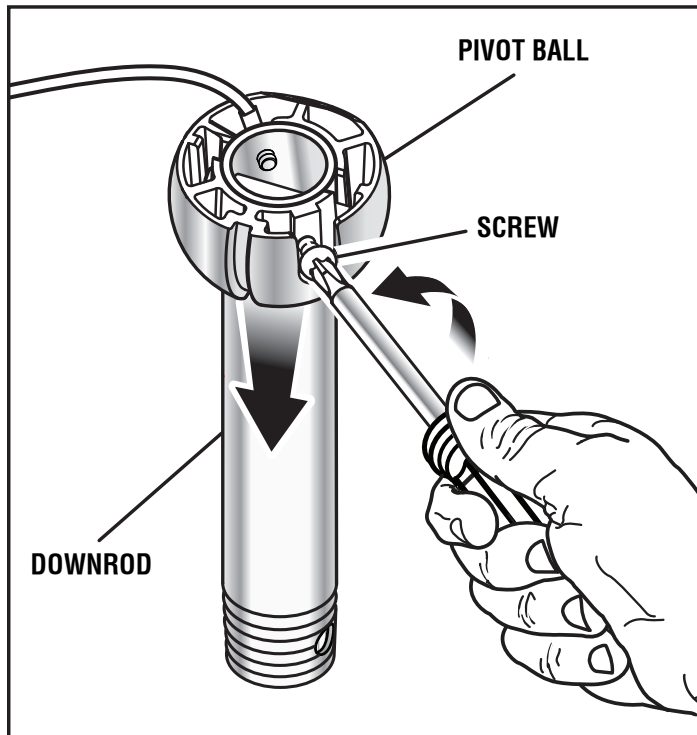
**NOTE:** If you are installing the mounting bracket assembly for an angled orientation, make sure the open end of the bracket is installed facing the lower point of the ceiling.



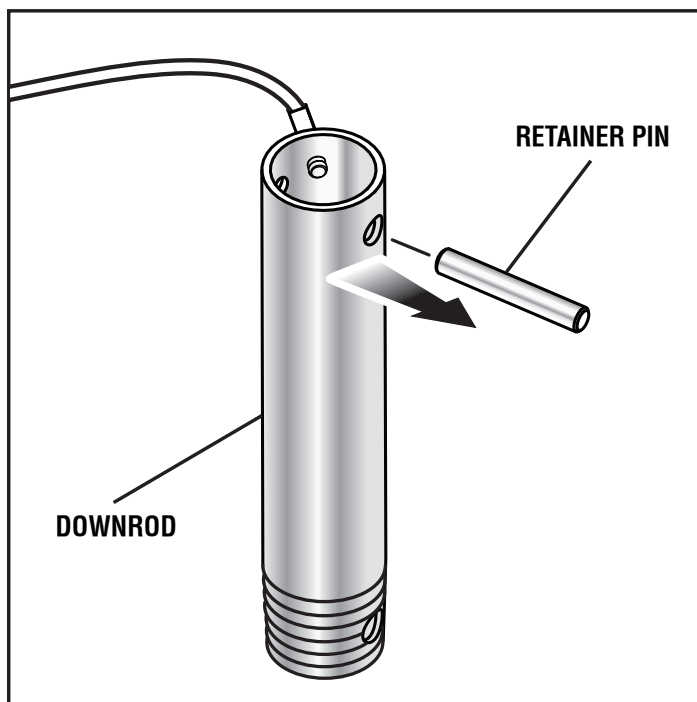
# INSTALLATION

## PREPARING YOUR CEILING FAN FOR MOUNTING

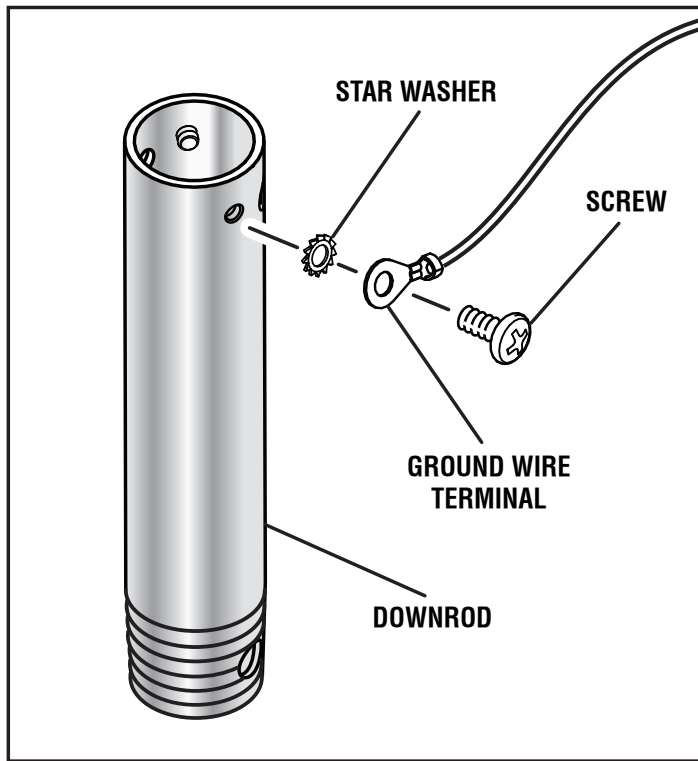
- Loosen the screw securing the pivot ball to the downrod. Slide the pivot ball down and off the downrod and set aside.



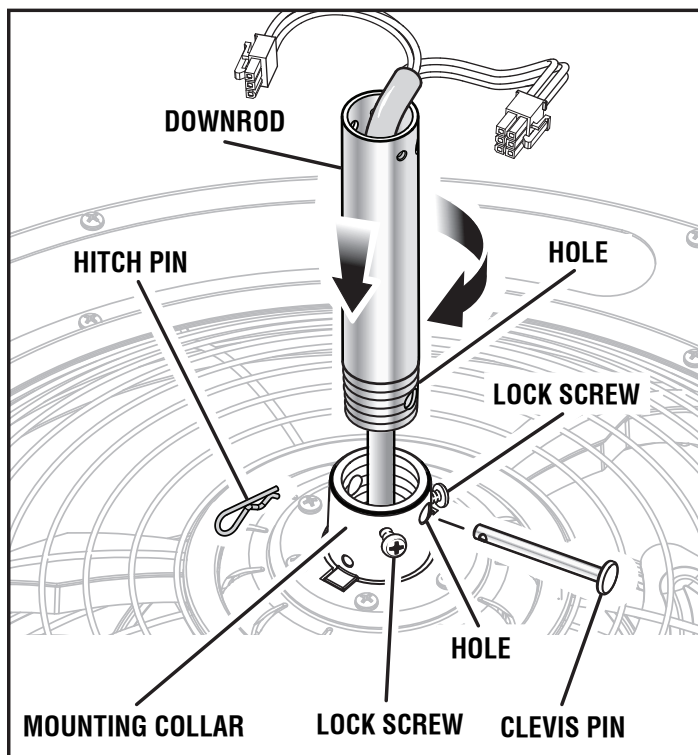
- Remove the retainer pin from the downrod.



- Remove the screw and star washer securing the ground wire terminal to the downrod. Remove the wire and set aside.



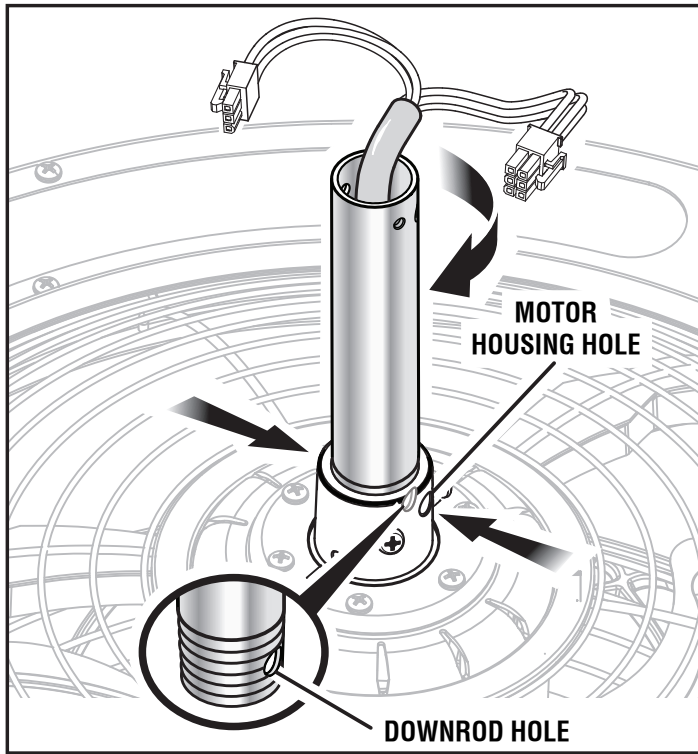
- Loosen (but do not remove) the lock screws that secure the downrod to the mounting collar on the fan assembly, then remove the hitch pin and the clevis pin from the mounting collar. Carefully feed the fan's electrical wiring up through the threaded end of the downrod.



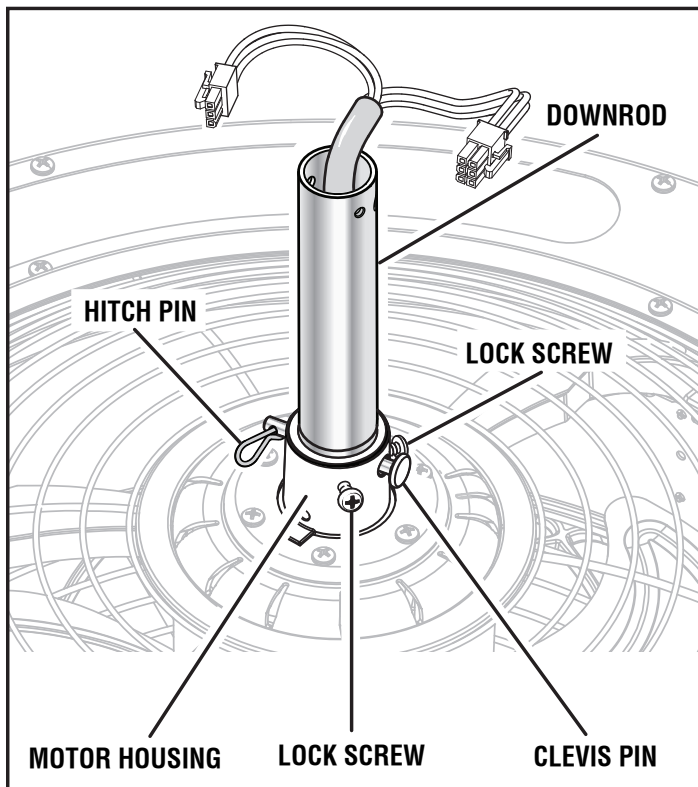


# INSTALLATION

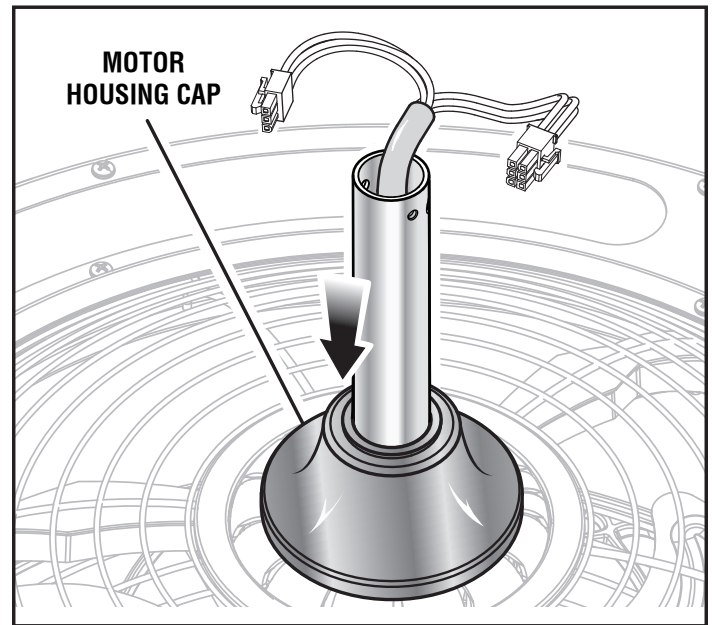
- Thread the downrod into the motor housing until it bottoms out, then back it out until the hole in the downrod aligns with the hole in the motor housing. Be careful not to twist the electrical wiring when tightening.



- Install the clevis pin through the holes in the motor housing and the downrod, then reinsert hitch pin. Retighten the lock screws to secure.

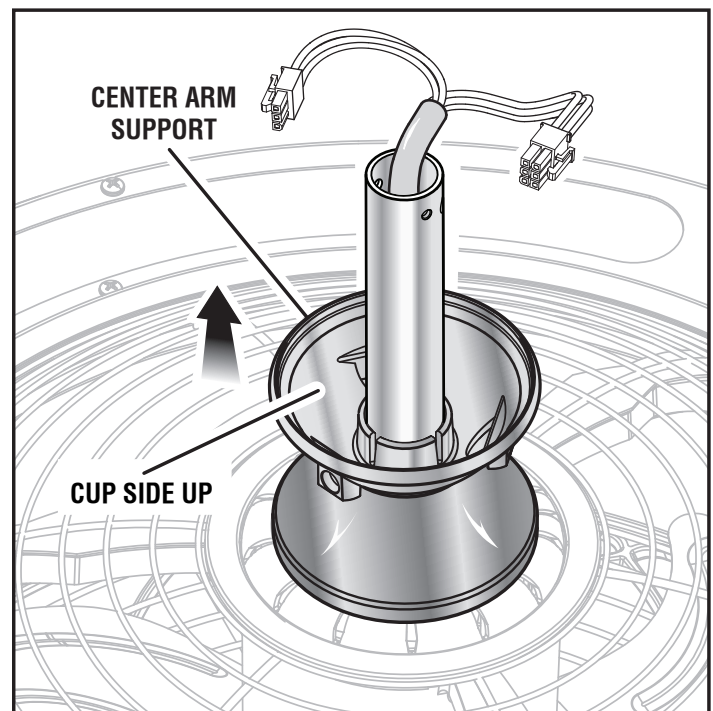


- Carefully feed the fan's electrical wiring through the motor housing cap, then install the cap as shown.



- Carefully feed the fan's electrical wiring through the center arm support, then install the support with the cupped side facing up.

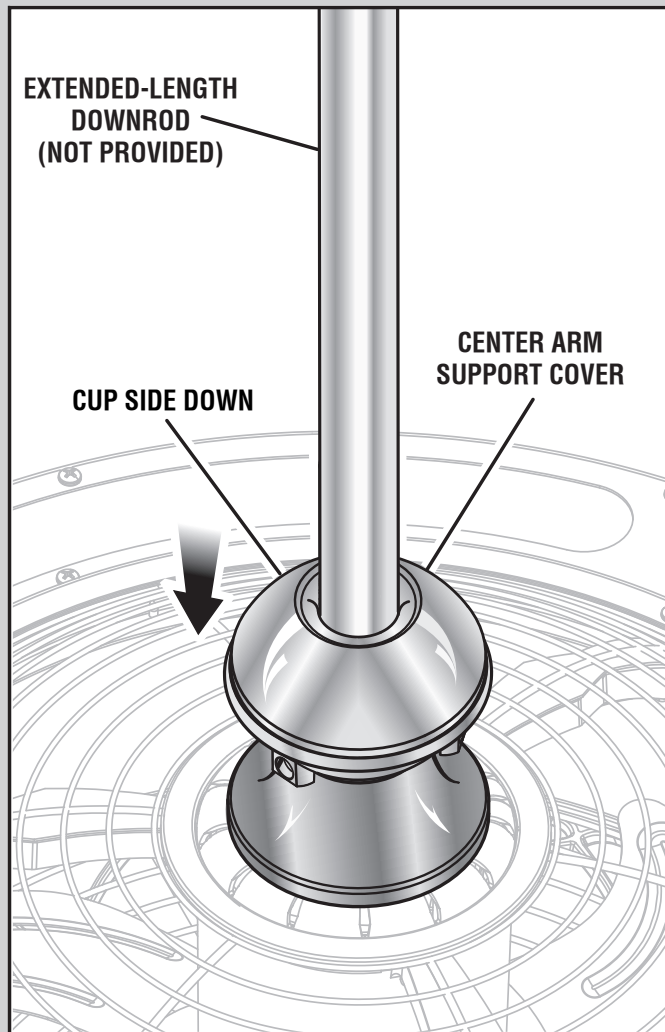
**NOTE:** If you do not intend to use the decorative arms supplied with this ceiling fan, you can skip this step because the center arm support will not be needed. However, if you are installing using an extended-length downrod (not provided), you may still wish to use the center arm support and the cover discussed in the next step for a more finished appearance, even when not using the decorative arms.



# INSTALLATION

This step is needed only if you are installing your ceiling fan using an extended-length downrod (not provided) and have installed the center arm support from the previous step. If you are using the downrod provided in this package, or if you are using an extended-length downrod but chose not to install the center arm support, skip this step and proceed directly to installing the canopy screw cover ring and canopy.

- Carefully feed the fan's electrical wiring through the center arm support cover, then install the support with the cupped side facing down.



- Carefully feed the fan's electrical wiring through the canopy screw cover ring and canopy, then install the cover ring and canopy on the downrod as shown.

**NOTE:** Make sure the notched openings on the rim of the canopy screw cover ring are facing up.

