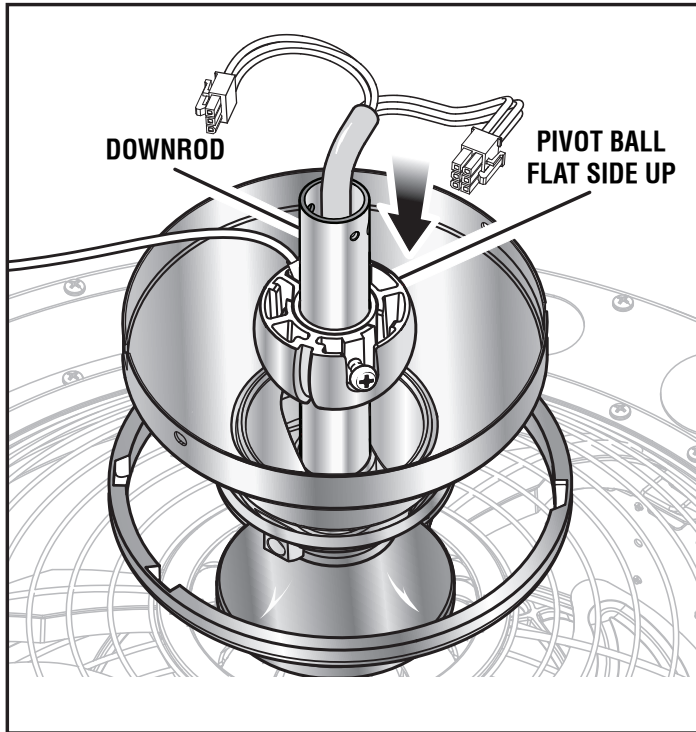
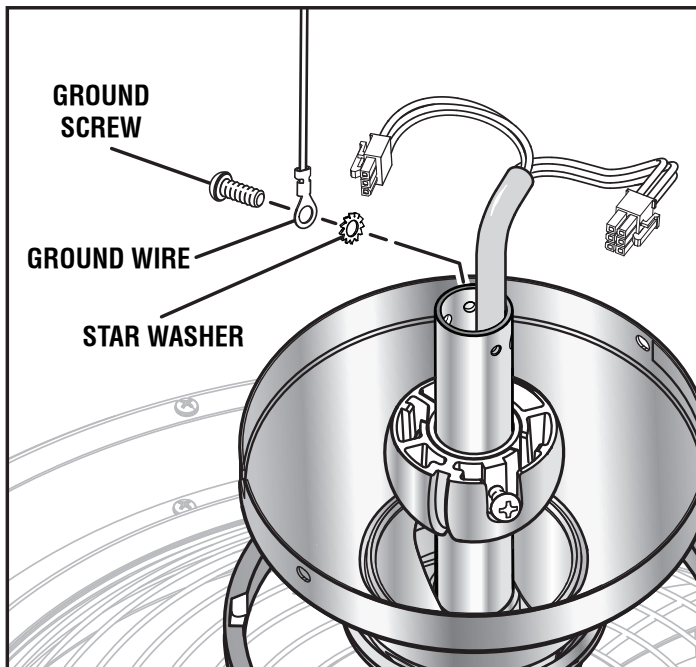


INSTALLATION

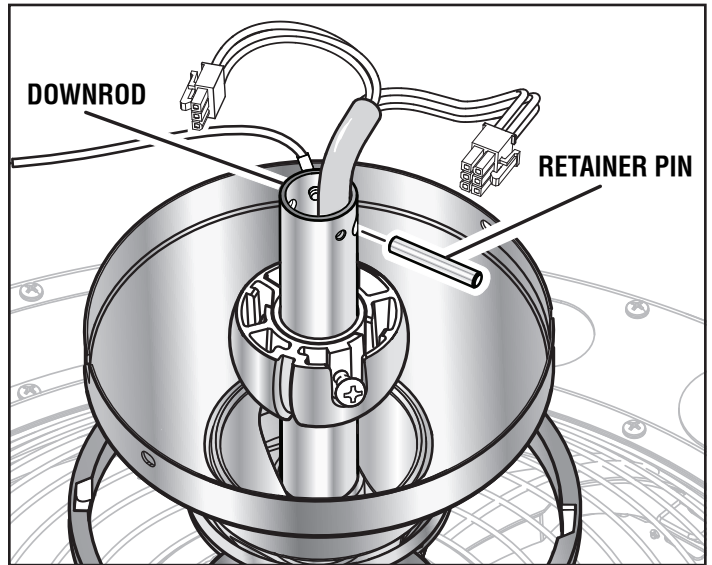
- Carefully feed the fan's electrical wiring through the pivot ball, then reinstall the pivot ball on the downrod with the flat side facing the ceiling.



- Reinstall the ground wire with the wire facing up to ensure proper grounding, make sure the star washer is reinstalled in the location shown below.

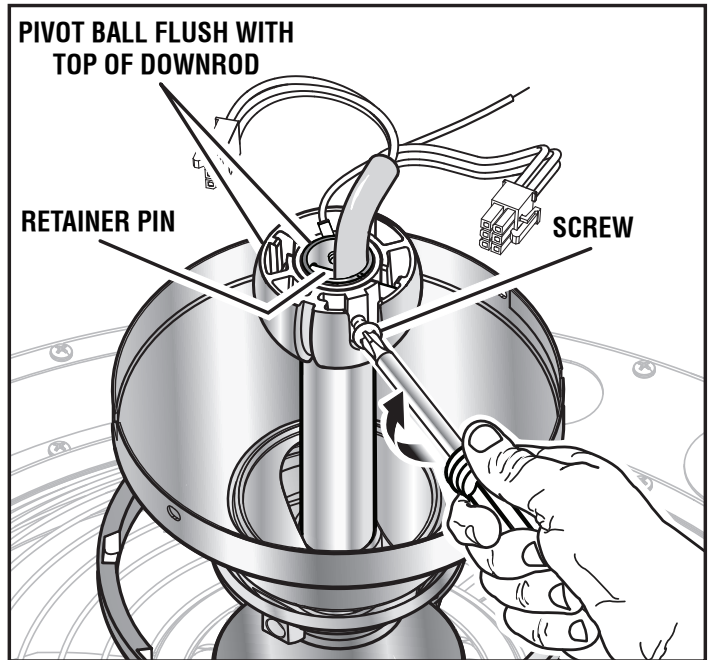


- Reinstall the retainer pin in the downrod.



STOP For Canada installations, refer to the Canada Installation Addendum and install the support cable on the retainer pin now.

- Lift the pivot ball back to the top of the downrod until the retainer pin is captured. Tighten the screw to secure.
NOTE: When the pivot ball is oriented correctly, it will also cover the ground screw and will be flush with the top of the downrod.



STOP For Canada installations, refer to the Canada Installation Addendum and test the support cable connection now.

INSTALLATION

HANGING THE CEILING FAN

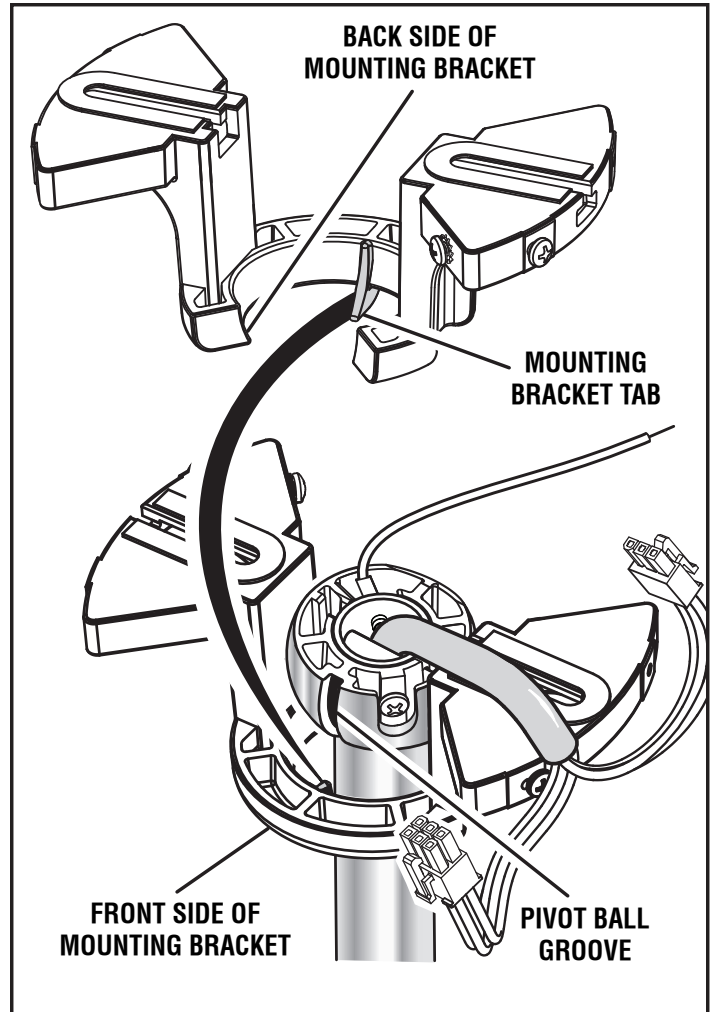
⚠ WARNING:

Once you begin the process of hanging the ceiling fan, do not leave the fan unattended until the installation process is complete. A falling fan could cause serious personal injury or death.

- Carefully lift the assembled fan up to the mounting bracket assembly and seat the pivot ball in the mounting bracket socket. Rotate the fan as needed so the tab on the mounting bracket socket seats in the groove in the pivot ball.

⚠ WARNING:

Failure to engage the fan's tab into the groove on the mounting bracket could allow the fan to wobble and/or fall. A falling fan could cause serious personal injury or death.



INSTALLATION

MAKING THE ELECTRICAL CONNECTIONS

⚠ WARNING:

Verify the power has been disconnected to both the room and the wall switch before making the electrical connections. Failure to do so could cause fire, electric shock, serious personal injury, or death.

NOTICE:

When shipped, the electrical wires from the ceiling fan offer enough length to accommodate only the downrod included. If you intend to use an extended-length downrod (not included), you will need to purchase a wiring extension cable also. See the *Accessories* section later in this manual to determine the size extension cable needed to fit your downrod, then visit the retailer where you purchased this fan or call customer service to purchase.

Connect the ceiling fan to the receiver:

- Connect the fan plugs at the end of the fan's electrical wiring into their corresponding sockets on the receiver.

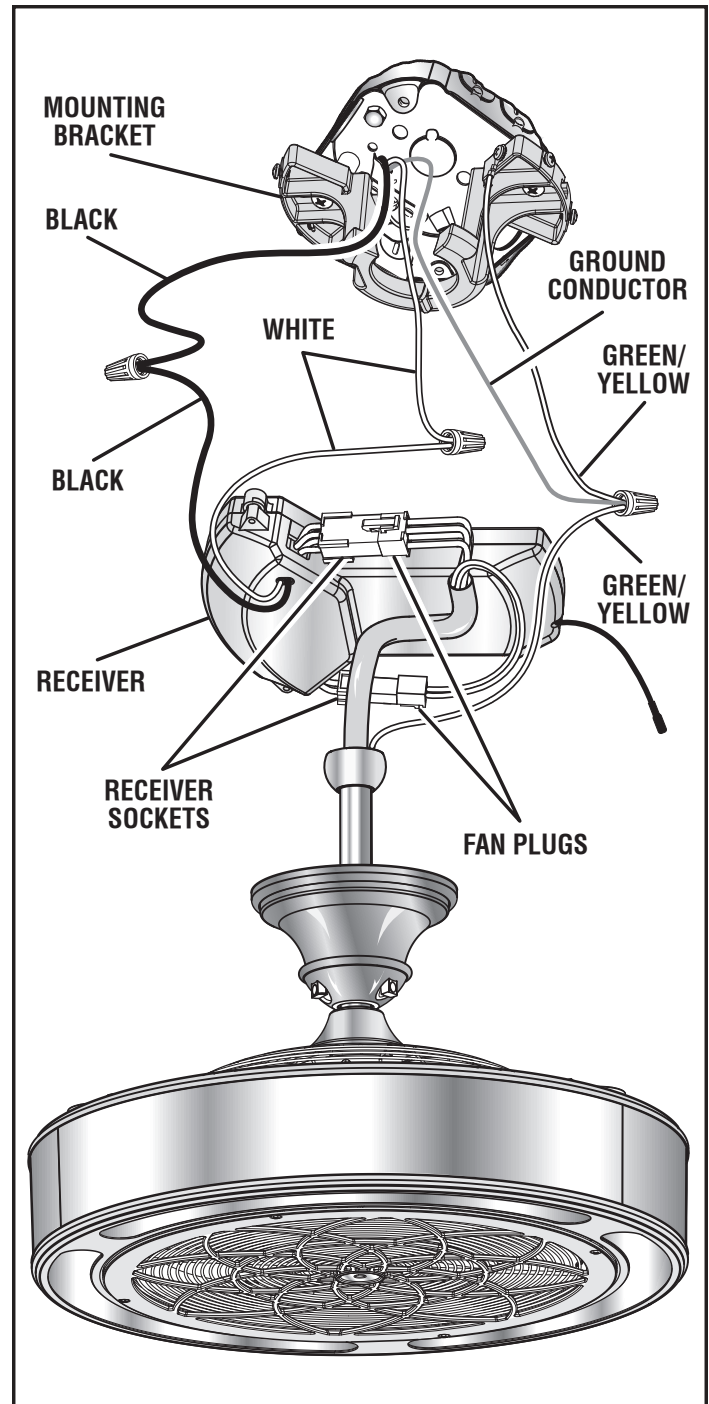
Connect the receiver to the 120V electrical supply wires:

- If your outlet box has a ground wire (green or bare copper), connect it to the ground wire on the ceiling fan's pivot ball. If there is no ground wire in your outlet box, connect the ground wire on the pivot ball to the ground wire on the mounting bracket assembly.
- Connect the white (neutral) supply wire to the white wire on the receiver marked **AC in N**.
- Connect the black (hot) supply wire to the black wire on the receiver marked **AC in L**.

NOTE: If your electrical box has both red and black hot wires, only one of these will be needed. Choose the supply wire that matches the wall switch you want to use for your ceiling fan. Use a wire cap and electrical tape to seal off the other wire and tuck it back up into the box and out of the way.

- Install a plastic wire nut over each connection to secure. Reinforce with electrical tape as needed to make sure no bare wire is visible at the wire nuts (except for a bare ground wire, if present).
- Spread the wires apart so the green/yellow and white wires go to one side and the black wire goes to the other, then carefully tuck all the wire connections up into the outlet box.

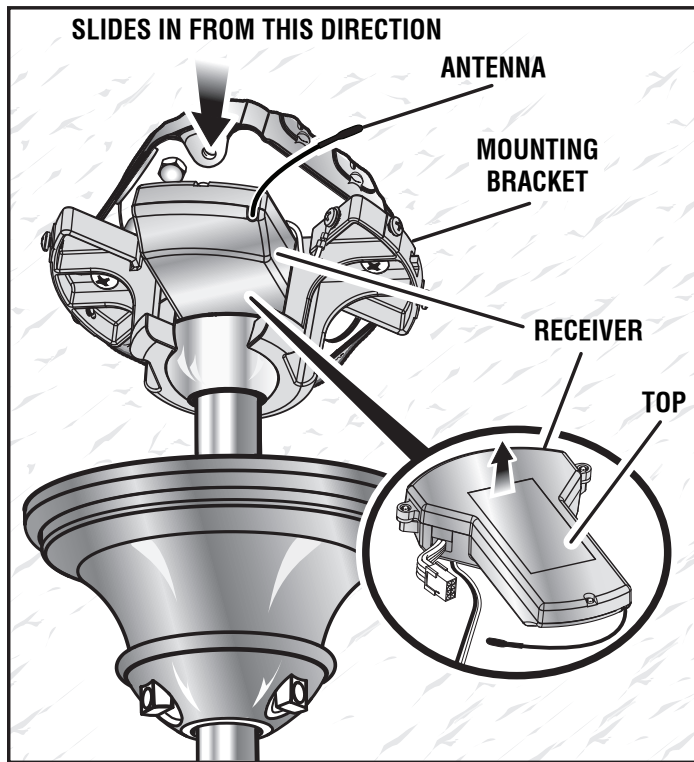
NOTE: Orient the wires so the wire nuts are facing up and are not touching each other. This will help minimize potential noise once the installation is complete.



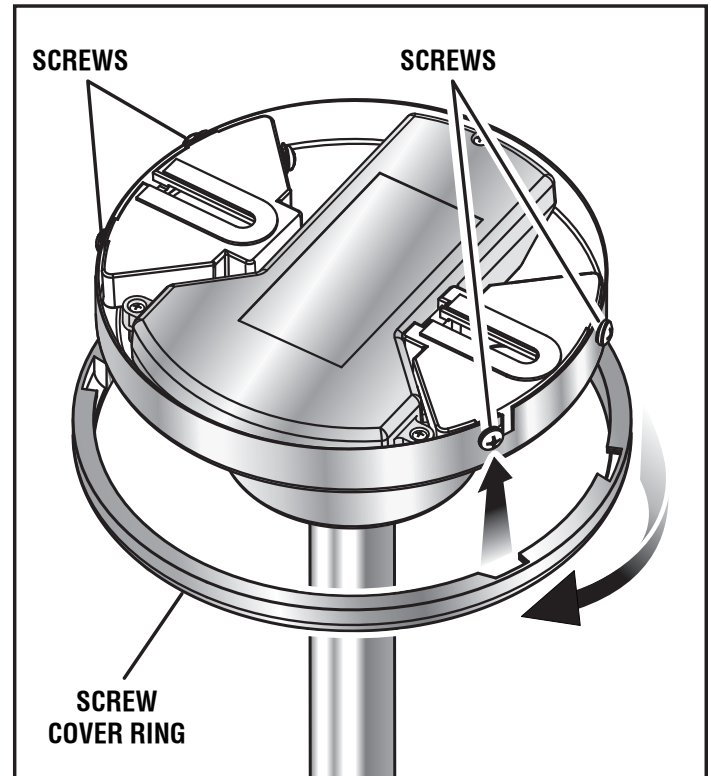
STOP For Canada installations, refer to the Canada Installation Addendum and connect the support cable to the eye bolt or anchor assembly now.

INSTALLATION

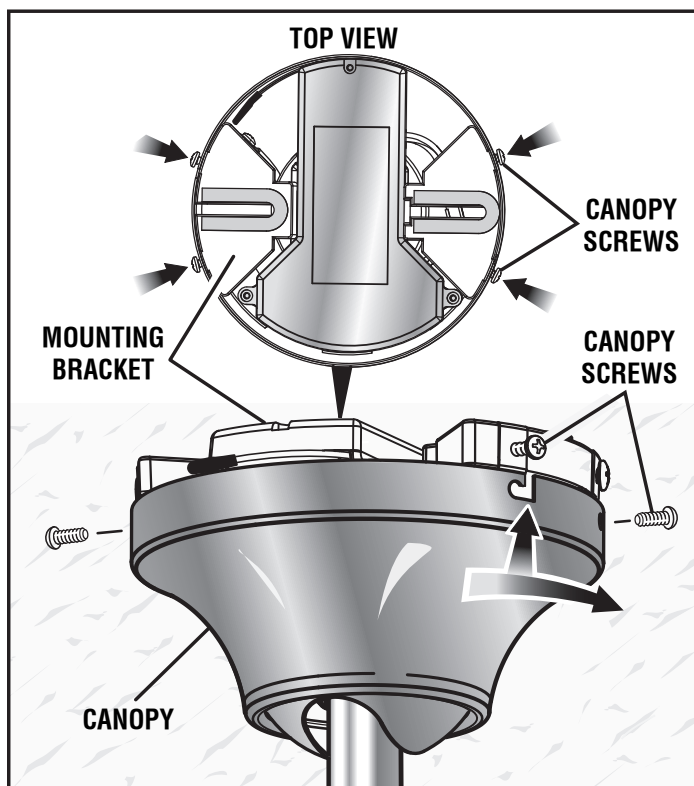
- Place the receiver into the top of the mounting bracket with the flat side facing the ceiling. Tuck the receiver antenna and all wiring up into the mounting bracket, making sure the wires don't become pinched.



- Lift the screw cover ring up over the screws and twist counterclockwise to secure in place.



- Slide the canopy up into place and rotate clockwise to lock to mounting bracket assembly. Reinstall the two screws (M4 x 6 mm) removed previously and tighten securely.



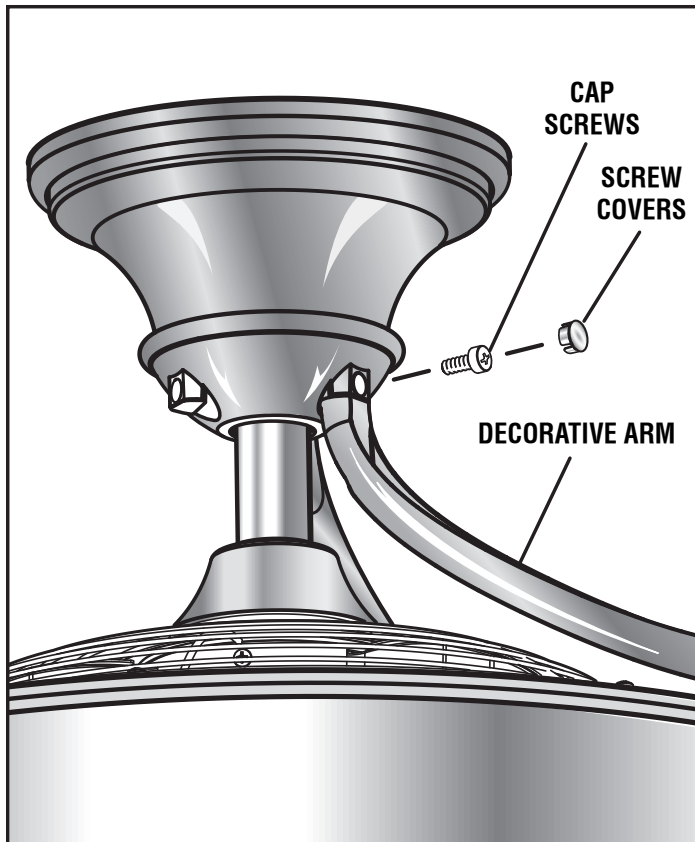
INSTALLATION

NOTICE:

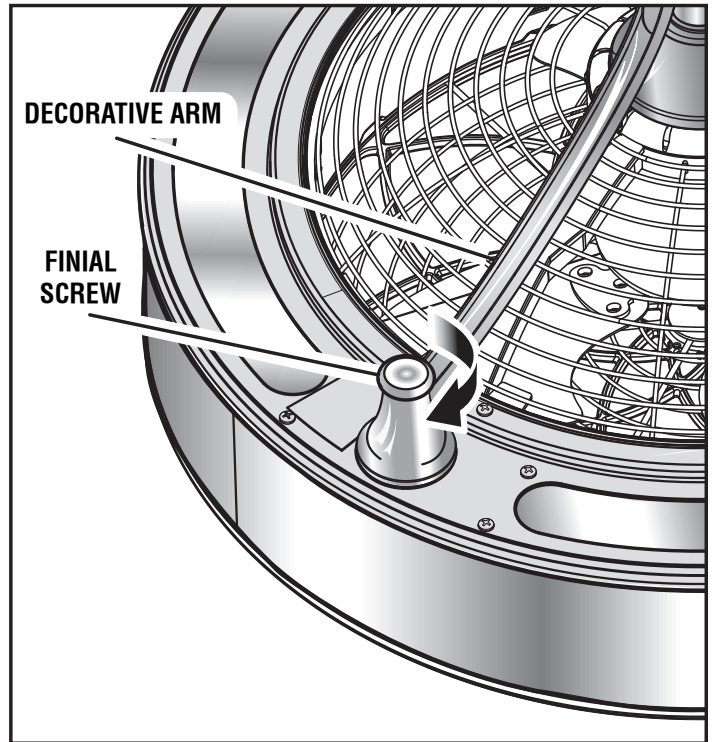
The decorative arms in the next two steps are not required for fan operation. You may skip these two steps if you do not wish to install the decorative arms.

- Install the decorative arms using a Phillips head screwdriver. Attach one side of each arm to the center arm support using the Phillips cap screws and screw covers as shown.

NOTE: For easier assembly, insert each screw and partially tighten, then go back and fully tighten each screw.



- Finish the assembly by screwing the finial screw on each arm into the threaded holes in the top lens cover.



- Restore power to the room and wall switch, but do not turn on the wall switch yet.

USING THE REMOTE CONTROL

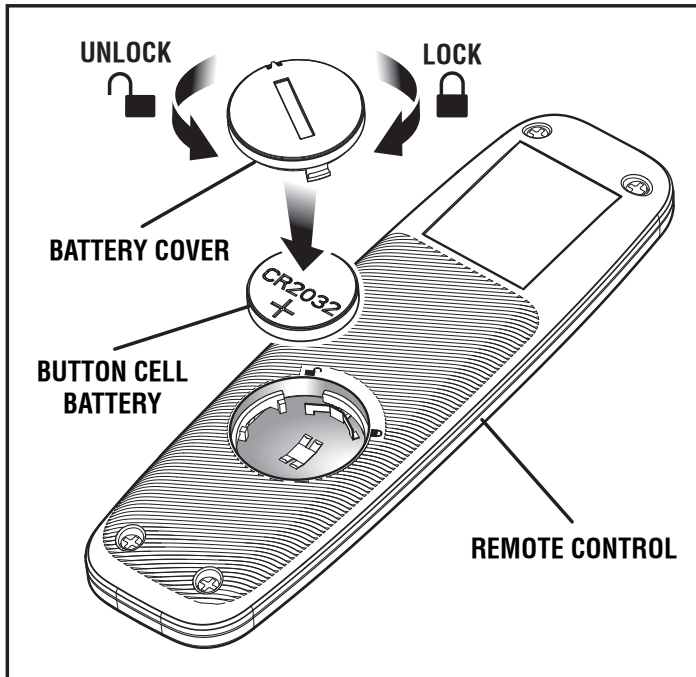
⚠ WARNING:

Chemical Burn Hazard. Keep batteries away from children. This product contains a lithium button/coin cell battery. If a new or used lithium button/coin cell battery is swallowed or enters the body, it can cause severe internal burns and can lead to death in as little as 2 hours. Always completely secure the battery compartment. If the battery compartment does not close securely, stop using the product, remove the batteries, and keep it away from children. If you think batteries might have been swallowed or placed inside any part of the body, seek immediate medical attention.

NOTE: If you have not already done so, restore power to the room and wall switch, but do not turn the wall switch on. The remote control will have no effect on the fan when the switch is turned off.

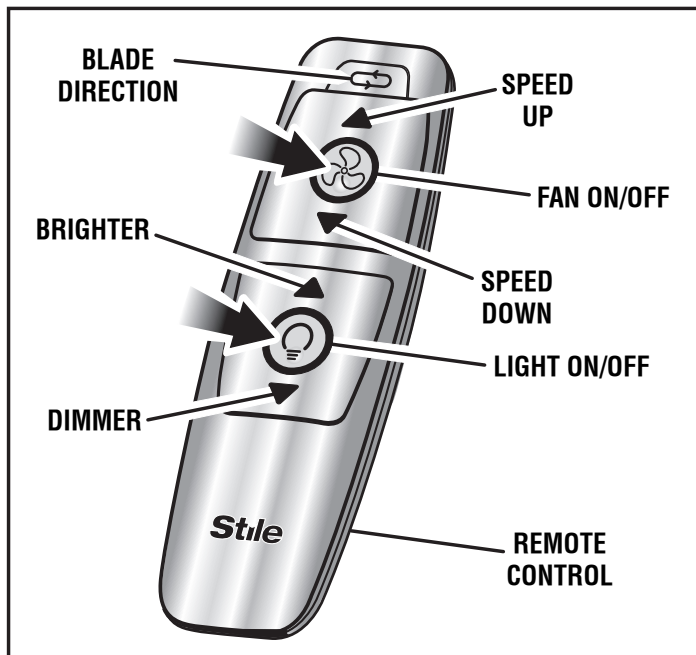
OPERATION

- Install the CR2032 button cell battery provided into the remote control as shown.



- Turn on the wall switch to provide power to the fan. For approximately 1 minute after the switch is turned on, the fan will search for the remote control. To pair the remote to the fan, press and hold the remote's fan (⚙️) and light (💡) on/off buttons simultaneously for approximately 5 seconds.

NOTE: A total of 3 remotes can be paired to the fan. Simply repeat the step above to pair each one.



- To turn the light on and off, press and release the light on/off button (💡). Use the up (▲) and down (▼) arrows to control the brightness of the light.

NOTE: The brightness of the fan light can only be controlled by the remote control. A wall-mounted dimmer switch will not change the light's brightness.

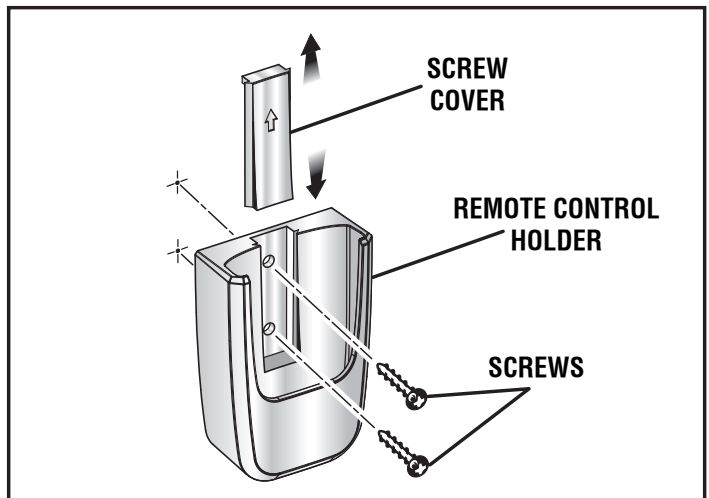
- To turn the fan on and off, press and release the fan on/off button (⚙️). Use the up (▲) and down (▼) arrows to cycle through the fan speeds of Low, Medium, and Hi.
- To change the rotation direction of the ceiling fan blades, allow the blades to come to a complete stop, then press the blade direction button (↻).

To mount the remote control holder:

- Remove the screw cover from the remote control holder.
- Install the remote control holder in the desired location using the two mounting screws provided.
- Replace the screw cover to cover the screw heads.

⚠️ WARNING:

Always dispose of used batteries properly, including keeping them away from children. Even used cells may cause injury.



MODEL NO: CFARC02

FCC ID: VMZCFARC02

This device complies with Part 15 of the FCC Rules. Operation is subject to the following two conditions: (1) this device may not cause harmful interference, and (2) this device must accept any interference received, including interference that may cause undesired operation.

NOTE: THE GRANTEE IS NOT RESPONSIBLE FOR ANY CHANGES OR MODIFICATIONS NOT EXPRESSLY APPROVED BY THE PARTY RESPONSIBLE FOR COMPLIANCE. SUCH MODIFICATIONS COULD VOID THE USER'S AUTHORITY TO OPERATE THE EQUIPMENT.

This device complies with Industry Canada license-exempt RSS standard(s). Operation is subject to the following two conditions: (1) this device may not cause interference, and (2) this device must accept any interference, including interference that may cause undesired operation of the device.

OPERATION

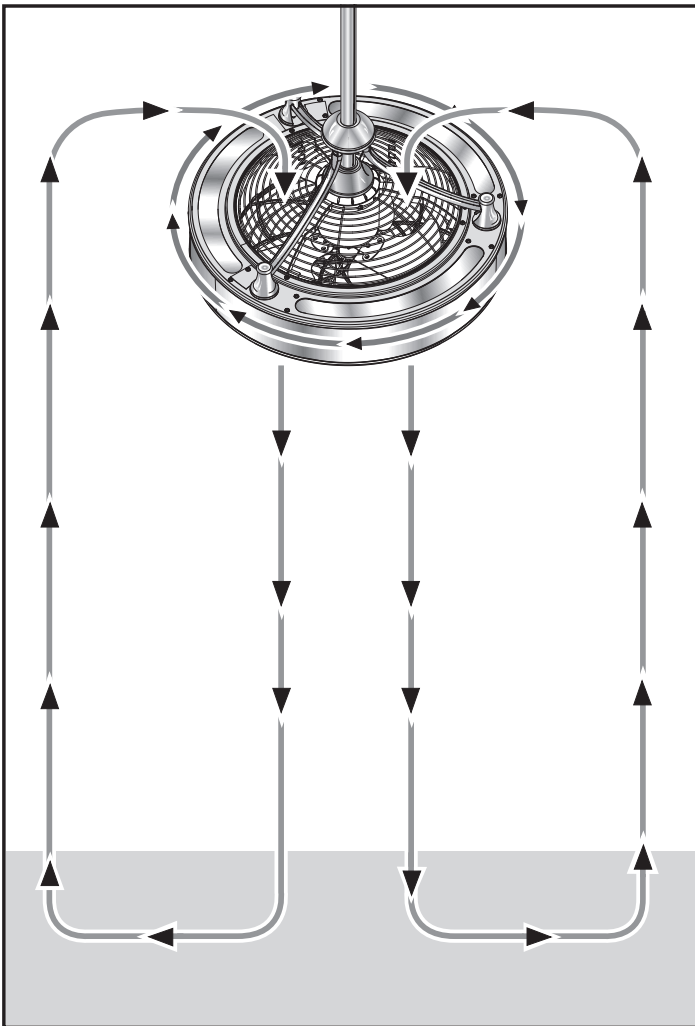
SETTING THE AIRFLOW DIRECTION

Choosing the correct airflow direction of the ceiling fan will enhance the fan's performance and make its use more enjoyable. To change the direction of airflow, use the blade direction button (↻) at the top of the ceiling fan's remote.

NOTICE:

Always allow the ceiling fan to come to a complete stop before changing the fan's direction.

- Choose a clockwise blade direction to provide a downward air flow. In warmer weather, this direction will provide a constant breeze, creating a wind chill effect for the room's occupants.



- In cooler weather, choose a counterclockwise blade direction to provide an upward direction of air travel. This will help circulate warm air off the ceiling and back down into the room.

