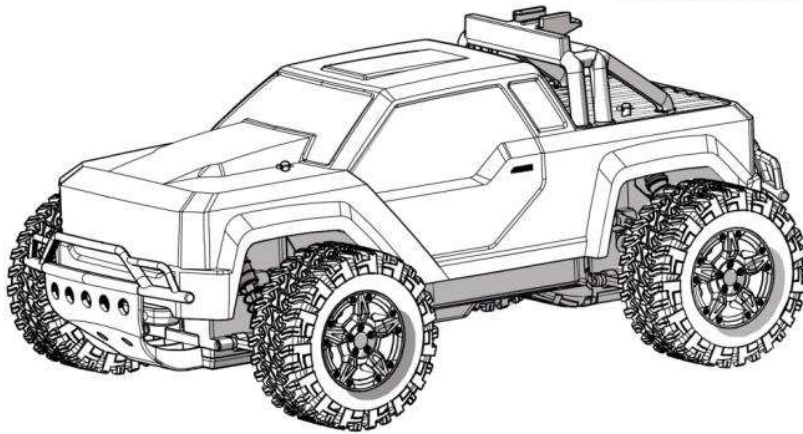




**OPERATOR'S MANUAL**  
**MANUEL D'UTILISATION**  
**MANUAL DEL OPERADOR**  
**18 VOLT RC TRUCK**  
**CAMION TÉLÉGUIDÉ DE 18 V**  
**CAMIÓN A CONTROL REMOTO**  
**DE 18 V**  
**P3800**



Not for persons under 18 years of age without adult supervision. NOT A TOY.  
 Ce produit n'est pas conçu pour les personnes de moins de 18 ans sans la supervision d'un adulte.  
 CE PRODUIT N'EST PAS UN JOUET.  
 No destinado a menores de 18 años sin la supervisión de un adulto. NO ES UN JUGUETE.

**TABLE OF CONTENTS**

\*\*\*\*\*

- Important Safety Instructions .....2
- RC Truck Safety Warnings .....3
- Symbols.....4
- Assembly.....5
- Features.....5
- Operation.....5-6
- Maintenance.....7
- Illustrations .....9-10
- Parts Ordering and Service  
.....Back page

**TABLE DES MATIÈRES**

\*\*\*\*\*

- Instructions importantes concernant la sécurité .....2
- Avertissements de sécurité relatifs camion a control remoto .....2-3
- Symboles.....4
- Assemblage.....5
- Caractéristiques .....5
- Utilisation .....5-7
- Entretien .....7
- Illustrations .....9-10
- Commande de pièces et dépannage  
..... Page arrière

**ÍNDICE DE CONTENIDO**

\*\*\*\*\*

- Instrucciones de seguridad importantes.....2
- Advertencias de seguridad de camion téléguidé .....2-3
- Símbolos.....4
- Armado .....5
- Características.....5
- Funcionamiento .....5-7
- Mantenimiento.....7
- Ilustraciones.....9-10
- Pedidos de piezas y servicio  
.....Pág. posterior

**⚠ WARNING:** To reduce the risk of injury, the user must read and understand the operator's manual before using this product.

**⚠ AVERTISSEMENT :** Pour réduire les risques de blessures, l'utilisateur doit lire et veiller à bien comprendre le manuel d'utilisation avant d'employer ce produit.

**⚠ ADVERTENCIA:** Para reducir el riesgo de lesiones, el usuario debe leer y comprender el manual del operador antes de usar este producto.

**SAVE THIS MANUAL FOR FUTURE REFERENCE**

**CONSERVER CE MANUEL POUR FUTURE RÉFÉRENCE**

**GUARDE ESTE MANUAL PARA FUTURAS CONSULTAS**

## IMPORTANT SAFETY INSTRUCTIONS

### **WARNING**

Read all safety warnings and all instructions. Failure to follow the warnings and instructions may result in electric shock, fire and/or serious injury.

### **WARNING**

This battery powered model truck is not intended for use persons under 18 years of age without the supervision of a responsible and knowledgeable adult. NOT A TOY.

- **CHOKING HAZARD.** Small parts. Keep out of the reach of children. Adult supervision required.
- **Always operate outdoors, with adequate space. Do not drive truck on public roads, in parking lots, or in crowds of pedestrians.**
- **Do not operate this product in explosive atmospheres, such as in the presence of flammable liquids, gases or dust.** The truck could create sparks which may ignite the dust or fumes.
- **Operate truck away from children under the age of 18, bystanders, and pets. Never chase people or animals.** Distractions can cause you to lose control.
- **HOT PARTS.** Electric motor and other vehicle parts can cause burns after vehicle operation. Allow time to cool before touching motor and other parts.
- **Always wear eye protection with side shields marked to comply with ANSI Z87.1 when assembling parts or performing maintenance.** Following this rule will reduce the risk of serious personal injury.
- **Be aware of possible hazards when not using your truck or when changing accessories.** Following this rule will reduce the risk of electric shock, fire, or serious personal injury.
- **Do not expose battery products to rain or wet conditions.** Water entering a battery product will increase the risk of electric shock.
- **Use battery only with charger listed.** For use with 18 V lithium-ion battery packs, see tool/appliance/battery pack/charger correlation supplement 987000-432.
- **Stay alert, watch what you are doing and use common sense when operating this product. Do not use this product while you are tired or under the influence of drugs, alcohol or medication.** A moment of inattention while operating this product may result in serious personal injury.
- **Prevent unintentional starting. Ensure the switch is in the off-position before connecting to battery pack, picking up or carrying the product.** Carrying battery products with your finger on the switch or energizing battery products that have the switch on invites accidents.
- **Do not overreach. Keep proper footing and balance at all times.** This enables better control of the battery product in unexpected situations.
- **Do not use on a ladder or unstable support.** Stable footing on a solid surface enables better control of the product in unexpected situations.
- **Do not use the product if the switch does not turn it on and off.** Any product that cannot be controlled with the switch is dangerous and must be repaired.
- **Disconnect the battery pack from the product before making any adjustments, changing accessories, or storing battery products.** Such preventive safety measures reduce the risk of starting the product accidentally.
- **Store idle battery products out of the reach of children and do not allow persons unfamiliar with the product or these instructions to operate the product.** Battery products are dangerous in the hands of untrained users.
- **Maintain the product. Check for misalignment or binding of moving parts, breakage of parts and any other condition that may affect the product's operation. If damaged, have the product repaired before use.** Many accidents are caused by poorly maintained products.

### BATTERY PRODUCT USE AND CARE

- **Recharge only with the charger specified by the manufacturer.** A charger that is suitable for one type of battery pack may create a risk of fire when used with another battery pack.
- **Use battery products only with specifically designated battery packs.** Use of any other battery packs may create a risk of injury and fire.
- **When battery pack is not in use, keep it away from other metal objects, like paper clips, coins, keys, nails, screws or other small metal objects, that can make a connection from one terminal to another.** Shorting the battery terminals together may cause burns or a fire.
- **Under abusive conditions, liquid may be ejected from the battery; avoid contact. If contact accidentally occurs, flush with water. If liquid contacts eyes, additionally seek medical help.** Liquid ejected from the battery may cause irritation or burns.
- **Do not attempt to recharge non-rechargeable batteries.**
- **Rechargeable batteries are to be charged only under adult supervision.**
- **Exhausted batteries should be removed from the vehicle and the controller.**
- **Remove the battery pack when the vehicle is not in use. Some battery packs can leak chemicals that can damage electronic parts.**

## IMPORTANT SAFETY INSTRUCTIONS

### SERVICE




- **Have your battery product serviced by a qualified repair person using only identical replacement parts.** This will ensure that the safety of the battery product is maintained.
- **When servicing a battery product, use only identical replacement parts. Follow instructions in the Maintenance section of this manual.** Use of unauthorized parts or failure to follow Maintenance instructions may create a risk of shock or injury.

## RC TRUCK SAFETY WARNINGS







- **Do not abuse or crash the truck.**
- **Do not aim the truck at any people, animals, or objects.**
- **Know your product. Read operator's manual carefully. Learn its applications and limitations, as well as the specific potential hazards related to this product.** Following this rule will reduce the risk of electric shock, fire, or serious injury.
- **Be aware of possible hazards when not using your battery tool or when changing accessories.** Following this rule will reduce the risk of electric shock, fire, or serious personal injury.
- **Do not place truck or batteries near fire or heat.** This will reduce the risk of explosion and possibly injury.
- **Do not crush, drop or damage battery pack. Do not use a battery pack or charger that has been dropped or received a sharp blow.** A damaged battery is subject to explosion. Properly dispose of a dropped or damaged battery immediately.
- **Batteries can explode in the presence of a source of ignition, such as a pilot light.** To reduce the risk of serious personal injury, never use any cordless product in the presence of open flame. An exploded battery can propel debris and chemicals. If exposed, flush with water immediately.
- **Do not charge battery tool in a damp or wet location.** Following this rule will reduce the risk of electric shock.
- **For best results, your battery tool should be charged in a location where the temperature is more than 50°F but less than 100°F.** To reduce the risk of serious personal injury, do not store outside or in vehicles.
- **Under extreme usage or temperature conditions, battery leakage may occur. If liquid comes in contact with your skin, wash immediately with soap and water. If liquid gets into your eyes, flush them with clean water for at least 10 minutes, then seek immediate medical attention.** Following this rule will reduce the risk of serious personal injury.
- **Save these instructions.** Refer to them frequently and use them to instruct others who may use this tool. If you loan someone this tool, loan them these instructions also.

## SYMBOLS

The following signal words and meanings are intended to explain the levels of risk associated with this product.

SYMBOL	SIGNAL	MEANING
	<b>DANGER:</b>	Indicates a hazardous situation, which, if not avoided, will result in death or serious injury.
	<b>WARNING:</b>	Indicates a hazardous situation, which, if not avoided, could result in death or serious injury.
	<b>CAUTION:</b>	Indicates a hazardous situation, that, if not avoided, may result in minor or moderate injury.
	<b>NOTICE:</b>	(Without Safety Alert Symbol) Indicates information considered important, but not related to a potential injury (e.g. messages relating to property damage).

Some of the following symbols may be used on this product. Please study them and learn their meaning. Proper interpretation of these symbols will allow you to operate the product better and safer.

SYMBOL	NAME	DESIGNATION/EXPLANATION
	Safety Alert	Indicates a potential personal injury hazard.
	Read Operator's Manual	To reduce the risk of injury, user must read and understand operator's manual before using this product.
	NOT for persons under 18 years of age.	NOT for persons under 18 years of age without adult supervision. NOT A TOY.
	Choking hazard	Small parts. Keep out of the reach of children. Adult supervision required.
	Wet Conditions Alert	Do not expose to rain or use in damp locations.
	Recycle Symbol	This product uses lithium-ion (Li-ion) batteries. Local, state or federal laws may prohibit disposal of batteries in ordinary trash. Consult your local waste authority for information regarding available recycling and/or disposal options.
V	Volts	Voltage
min	Minutes	Time
—	Direct Current	Type or a characteristic of current
$n_0$	No Load Speed	Rotational speed, at no load
.../min	Per Minute	Revolutions, strokes, surface speed, orbits etc., per minute

## ASSEMBLY

### **WARNING:**

Adult assembly required. Contains small parts. Keep out of the reach of children. Do not use this product if it is not completely assembled or if any parts appear to be missing or damaged. Use of a product that is not properly and completely assembled or with damaged or missing parts could result in serious personal injury.

### **WARNING:**

Do not attempt to modify this product or create accessories or attachments not recommended for use with this product. Any such alteration or modification is misuse and could result in a hazardous condition leading to possible serious personal injury.

If any parts are damaged or missing, please call 1-866-340-3912 for assistance.

## FEATURES

### PRODUCT SPECIFICATIONS

Motor ..... 18 Volt DC  
Top Speed ..... Up to 20 mph  
Scale ..... 1:10  
Drive mechanism ..... 2 wheel

Controller range ..... Up to 300 ft.  
Truck/Controller Connection ..... 2.4 GHz  
Transmitter Power Supply ..... 2 AAA, 1.5 Volt Batteries

## OPERATION

### **WARNING:**

Do not allow familiarity with this product to make you careless. Remember that a careless fraction of a second is sufficient to inflict serious injury.

### **WARNING:**

Always remove battery pack from the truck when you are assembling parts, making adjustments, cleaning, or when not in use. Removing battery pack will prevent accidental starting that could cause serious personal injury.

### **WARNING:**

Do not use any attachments or accessories not recommended by the manufacturer of this product. The use of attachments or accessories not recommended can result in serious personal injury.

### **WARNING:**

Driving the truck requires skill and practice. This battery powered model truck is not intended for use by persons under 18 years of age without the supervision of a responsible and knowledgeable adult. NOT A TOY. When not used as instructed, the truck can cause property damage or possible serious personal injury.

### APPLICATIONS

Where to operate your truck:

- Do not use on public roads, in parking lots, or in crowds of pedestrians.

You should use this product:

- Outdoors, with adequate space.
- Away from people and pets.

### INSTALLING/REMOVING BATTERY PACK

See Figure 1, page 9.

#### To install:

- Remove the four cotter pins that secure the truck body to the frame.

**CHOKING HAZARD.** Small parts. Keep out of the reach of children. Adult supervision required.

- Remove the truck body and set aside.
- Make sure the latches on each side of the battery pack snap into place and the battery pack is secured in the product before replacing the truck body and beginning operation.
- Set the truck body onto the frame. Insert the cotter pins and make sure the body is securely installed.

# OPERATION

## To remove:

- Remove the four cotter pins that fasten the truck body to the frame.

**CHOKING HAZARD.** Small parts. Keep out of the reach of children. Adult supervision required.

- Remove the truck body and set aside.

**HOT PARTS.** Electric motor and other vehicle parts can cause burns after vehicle operation. Allow time to cool before touching motor and other parts.

- Depress the latches to remove the battery pack.
- Set the truck body onto the frame. Insert the cotter pins and make sure the body is securely installed.

For complete charging instructions, see the operator's manuals for your battery pack and charger.

## ON/OFF SWITCHES

See Figure 2, page 9.

Both the truck and controller have an **ON/OFF** switch.

The controller switch is located on its handle. When the controller is turned **ON**, the green LED glows.

The truck **ON/OFF** switch is located on the underside of the truck.

Always turn both switches to the **OFF** position before removing or changing batteries, or when the truck is not in use.

## USING THE CONTROLLER

See Figures 3 - 4, page 10.

The controller is powered by 2 AAA batteries. You will need to install the 2 AAA batteries before using the controller.

Always turn the switches for the truck and the controller to the **OFF** position when installing the battery in the controller.

- Using a Phillips screwdriver, loosen screw holding the battery compartment cover in place. Remove the battery cover from the controller.
- Install 2 AAA batteries according to polarity indicators (+ or -) inside the battery compartment.
- Replace and secure the battery cover.

When there is a charged battery pack in the truck and the **ON/OFF** switch is in the **ON** position, turning the controller **ON** will allow it to pair with the truck. You may then use the controller to drive and steer the truck.

**NOTE:** To pair a second truck and controller, turn the second truck switch **ON** and then turn the second controller switch **ON**. Repeat this sequence for each additional vehicle. The truck will pair with the nearest controller when it is turned on.

If the truck becomes difficult to control, the AAA batteries may need to be replaced.

## STEERING TRIM ADJUSTMENT

See Figure 3, page 10.

Before pulling the throttle trigger, check the steering trim. The wheels should be directed straight ahead, to prevent the truck from veering to the left or right when the throttle trigger is pulled.

Steering trim should be checked and adjusted periodically for maximum performance and control.

The steering trim can be adjusted if the truck veers to the left or right when you are driving it straight ahead.

Set the truck on a box or block so that the wheels do not touch the ground. Do not touch the wheels while you are making adjustments.

- **If the truck is veering to the left:** turn the trim adjuster to the right.
- **If the truck is veering to the right:** turn the trim adjuster to the left.

## VARIABLE SPEED THROTTLE TRIGGER

See Figure 3, page 10.

The variable speed throttle trigger controls the speed of the truck and forward/reverse function. The more you pull or push the trigger, the more you increase speed.

- **To drive forward:** pull the throttle trigger back.
- **To brake:** push the throttle trigger forward.
- **To drive in reverse:** push the throttle trigger forward.

## STEERING WHEEL

See Figure 3, page 10.

The steering wheel turns the truck right or left. The further you turn the wheel, the sharper the truck will turn.

Release the wheel to go straight.

## DRIVING

See Figure 5, page 10.

The truck can reach a top speed of 20 mph. To become familiar with the truck's operation, complete the driving lesson below when driving the truck for the first time. Take your time and drive slowly until you are comfortable with all the features.

### **WARNING:**

To prevent serious injury or property damage, always keep the truck within sight during operation. Always operate outdoors, with adequate space, and away from people and pets. Do not drive truck on public roads, in parking lots, or in crowds of pedestrians.

## OPERATION

**NOTE:** Always turn the controller **ON** before turning the truck **ON**. Always turn the truck **OFF** before turning the controller **OFF**.

- Slowly drive the truck a short distance forward and backward.
- Slowly drive the truck in circles.
- Slowly drive the car in figure eights.
- Repeat the steps above while gradually increasing the speed of the truck.

**NOTE:** Impact with a wall or other solid object will cause the truck's motor to stop.

**To reset the truck:**

- Turn the truck's switch **OFF** and then back **ON**.

The truck performs best on asphalt or concrete surfaces. For best operation, never drive the truck on an uneven surface, in water, or around moving vehicles.

### **NOTICE:**

To avoid damage to the truck, never drive it through a puddle, on sand, on wet grass, or in mud, rain, or snow.

The truck will stop if outside of the controller's 300 foot range. Move within 300 feet of the truck to get moving again.

If the truck is moving slowly and the battery is charged, turn the truck **OFF**, then turn the controller **OFF**, and check the wheel mechanisms for lint, thread, hair, or dust.

---

This product uses lithium-ion (Li-ion) batteries. Local, state or federal laws may prohibit disposal of batteries in ordinary trash. Consult your local waste authority for information regarding available recycling and/or disposal options.

## MAINTENANCE



### **WARNING:**

When servicing, use only identical replacement parts. Use of any other part could create a hazard or cause product damage.

### **GENERAL MAINTENANCE**

Avoid using solvents when cleaning plastic parts. Most plastics are susceptible to damage from various types of commercial solvents and can be damaged by their use. Use clean cloths to remove dirt, dust, oil, grease, etc.

### **MOTOR MAINTENANCE**

The brushed motor needs to be cleaned periodically using an electric motor cleaning spray, available from your local hobby store. Spray the brushes and commutator inside the motor housing to keep the motor running properly. After cleaning, use a thin bearing oil to lubricate the bearings of the bushings.

**NOTE: ILLUSTRATIONS START ON PAGE 9 FOLLOWING FRENCH AND SPANISH LANGUAGE SECTIONS**

## FCC COMPLIANCE

### **WARNING:**

Changes or modifications to this unit not expressly approved by the party responsible for compliance could void the user's authority to operate the equipment.

This device complies with part 15 of the FCC rules. Operation is subject to the following two conditions: (1) this device may not cause harmful interference, and (2) this device must accept any interference received, including interference that may cause undesired operation.

**NOTE:** The grantee is not responsible for any changes or modifications not expressly approved by the party responsible for compliance. Such modifications could void the user's authority to operate the equipment.

**NOTE:** This equipment has been tested and found to comply with the limits for a Class B digital device, pursuant to part 15 of the FCC Rules. These limits are designed to provide reasonable protection against harmful interference in a residential installation. This equipment generates, uses and can radiate radio frequency energy and, if not installed and used in accordance with the instructions, may cause harmful interference to radio communications. However, there is no guarantee that interference will not occur in a particular installation. If this equipment does cause harmful interference to radio or television reception, which can be determined by turning the equipment off and on, the user is encouraged to try to correct the interference by one or more of the following measures:

- Reorient or relocate the receiving antenna.
- Increase the separation between the equipment and receiver.
- Connect the equipment into an outlet on a circuit different from that to which the receiver is connected.
- Consult the dealer or an experienced radio/TV technician for help.

### **Canada, Industrie Canada (IC)**

This device complies with Industry Canada license-exempt RSS standard(s). Operation is subject to the following two conditions: (1) this device may not cause interference, and (2) this device must accept any interference, including interference that may cause undesired operation of the device.

Under Industry Canada regulations, this radio transmitter may only operate using an antenna of a type and maximum (or lesser) gain approved for the transmitter by Industry Canada. To reduce potential radio interference to other users, the antenna type and its gain should be so chosen that the equivalent isotropically radiated power (e.i.r.p.) is not more than that necessary for successful communication.





## INSTRUCTIONS IMPORTANTES CONCERNANT LA SÉCURITÉ

### AVERTISSEMENT

Lire tous les avertissements et toutes les instructions. Ne pas suivre l'ensemble des avertissements et des instructions peut entraîner une électrocution, un incendie ou des blessures graves.

### AVERTISSEMENT

Ce camion modèle réduit à pile n'est pas conçu pour être utilisé par les personnes de moins de 18 ans sans la supervision d'un adulte responsable et compétent. CE PRODUIT N'EST PAS UN JOUET.

- **RISQUE D'ÉTOUFFEMENT.** Petites pièces. Garder hors de la portée des enfants. Supervision d'un adulte requise.
- **Toujours utiliser à l'extérieur, là où il y a suffisamment d'espace. Ne pas utiliser le camion sur les voies publiques, dans les aires de stationnement ou parmi les foules de piétons.**
- **Ne pas utiliser ce produit dans des atmosphères explosives, par exemple en présence de liquides, gaz ou poussières inflammables.** Le camion pourrait créer des étincelles, qui pourraient enflammer la poussière ou les vapeurs.
- **Utiliser le camion loin des enfants de moins de 18 ans, des passants et des animaux domestiques. Ne jamais pourchasser les gens ou les animaux.** Les distractions peuvent causer une perte de contrôle.
- **PIÈCES CHAUDES.** Le moteur électrique et les autres pièces du véhicule peuvent causer des brûlures à la suite de l'utilisation du véhicule. Le laisser refroidir avant de toucher le moteur et les autres pièces.
- **Toujours porter une protection oculaire munie d'écrans latéraux marquée conforme à la norme ANSI Z87.1 lors de l'assemblage des pièces ou de l'entretien de ce produit.** Le respect de cette consigne réduira le risque d'autres blessures graves.
- **Prendre garde aux risques possibles lorsqu'on n'utilise pas le camion ou lors des changements d'accessoires.** Le respect de cette consigne réduira le risque de décharge électrique, d'incendie ou d'autres blessures graves.
- **Ne pas exposer les ce produits à l'eau ou l'humidité.** La pénétration d'eau dans ces outils accroît le risque de choc électrique.
- **Ne recharger les piles qu'avec l'appareil indiqué. Pour utiliser l'appareil avec des piles au lithium-ion de 18 V, consulter le supplément de raccordement pour chargeur/outils/piles/appareil n° 987000-432.**
- **Rester attentif, prêter attention au travail et faire preuve de bon sens lors de l'utilisation de tout le produit à pile. Ne pas utiliser cet outil en état de fatigue ou sous l'influence de l'alcool, de drogues ou de médicaments.** Un moment d'inattention pendant l'utilisation d'un le produit à pile peut entraîner des blessures graves.
- **Éviter les démarrages accidentels. S'assurer que le commutateur est en position d'arrêt avant de brancher le produit.** Porter un outil avec le doigt sur son commutateur ou brancher un outil dont le commutateur est en position de marche peut causer un accident.
- **Ne pas travailler hors de portée. Toujours se tenir bien campé et en équilibre.** Ceci permettra de mieux contrôler le produit en cas de situation imprévue.
- **Ne pas utiliser le produit sur une échelle ou un support instable.** Une bonne tenue et un bon équilibre permettent de mieux contrôler le produit en cas de situation imprévue.
- **Ne pas utiliser le produit si le commutateur ne permet pas de le mettre en marche ou de l'arrêter.** Tout outil qui ne peut pas être contrôlé par son commutateur est dangereux et doit être réparé.
- **Débrancher le produit et/ou retirer le bloc-piles avant d'effectuer des réglages, de changer d'accessoire ou de remiser le produit.** Ces mesures de sécurité préventives réduisent les risques de démarrage accidentel de le produit.
- **Ranger le produits motorisés hors de la portée des enfants et ne laisser personne n'étant pas familiarisé avec le produit ou ces instructions utiliser le produit.** Dans les mains de personnes n'ayant pas reçu des instructions adéquates, le produits sont dangereux.
- **Entretien le produits motorisés. Vérifier qu'aucune pièce mobile n'est mal alignée ou bloquée, qu'aucune pièce n'est brisée et s'assurer qu'aucun autre problème ne risque d'affecter le bon fonctionnement de le produit. En cas de dommages faire réparer le produit avant de l'utiliser de nouveau.** Beaucoup d'accidents sont causés par des outils mal entretenus.

### UTILISATION ET ENTRETIEN DE LA PILE

- **Ne recharger qu'avec l'appareil spécifié par le fabricant.** Un chargeur approprié pour un type de pile peut créer un risque d'incendie s'il est utilisé avec un autre type de pile.
- **Utiliser exclusivement le bloc-pile spécifiquement indiqué pour le produit.** L'usage de tout autre bloc peut créer un risque de blessures et d'incendie.
- **Lorsque le bloc-piles n'est pas en usage, le garder à l'écart d'articles tels qu'attaches trombones, pièces de monnaie, clous, vis ou autres petits objets métalliques risquant d'établir le contact entre les deux bornes.** La mise en court-circuit des bornes de piles peut causer des étincelles, des brûlures ou un incendie.

## INSTRUCTIONS IMPORTANTES CONCERNANT LA SÉCURITÉ

- **En cas d'usage abusif, du liquide peut s'échapper des piles. Éviter tout contact avec ce liquide. En cas de contact accidentel, rincer immédiatement les parties atteintes avec de l'eau. En cas d'éclaboussure dans les yeux consulter un médecin.** Le liquide s'échappant des piles peut causer des irritations ou des brûlures.
- **Ne pas essayer de recharger des piles non rechargeables.**
- **Les piles rechargeables ne doivent être rechargées que sous la supervision d'un adulte.**
- **Les piles déchargées devraient être retirées du véhicule et du contrôleur.**
- **Retirer le bloc-piles lorsque le véhicule n'est pas utilisé. Certains blocs-piles peuvent fuir des produits chimiques qui peuvent endommager les composants électroniques.**

### DÉPANNAGE




- **Les réparations doivent être confiées à un technicien qualifié, utilisant exclusivement des pièces identiques à celles d'origine.** Ceci assurera le maintien de la sécurité de le produit.
- **Utiliser exclusivement des pièces identiques à celles d'origine pour les réparations. Se conformer aux instructions de la section Entretien de ce manuel.** L'usage de pièces non autorisées ou le non-respect des instructions peut présenter des risques de choc électrique ou de blessures.

## AVERTISSEMENTS DE SÉCURITÉ RELATIFS AU CAMION TÉLÉGUIDÉ







- **Ne pas abuser du camion ni produire de collision avec celui-ci.**
- **Ne pas diriger le camion vers les gens, les animaux, ou les objets.**
- **Apprendre à connaître le produit. Lire attentivement le manuel d'utilisation. Apprendre les applications et les limites de le produit, ainsi que les risques spécifiques relatifs à son utilisation.** Le respect de cette consigne réduira les risques d'incendie, de choc électrique et de blessures graves.
- **Tenir compte des dangers possibles lorsque le produit n'est pas en usage et lors du remplacement des piles.** Le respect de cette consigne réduira les risques d'incendie, de choc électrique et de blessures graves.
- **Ne pas placer le camion ou les piles près d'une flamme ou de la chaleur.** Ceci réduira les risques d'explosion et de blessures.
- **Ne pas écraser, faire tomber ou endommager le bloc-piles. Ne jamais utiliser un bloc-piles ou un chargeur qui est tombé, a été écrasé, a reçu un choc violent ou a été endommagé de quelque façon que ce soit.** Une pile endommagée risque d'exploser. Éliminer immédiatement toute pile endommagée, selon une méthode appropriée.
- **Les piles peuvent exploser en présence d'une source d'allumage, telle qu'une veilleuse.** Pour réduire les risques de blessures graves, ne jamais utiliser un appareil sans fil, quel qu'il soit, en présence d'une flamme vive. En explosant, une pile peut projeter des débris et des produits chimiques. En cas d'exposition, rincer immédiatement les parties atteintes avec de l'eau.
- **Ne pas recharger un outil fonctionnant sur piles dans un endroit humide ou mouillé.** Le respect de cette règle réduira les risques de choc électrique.
- **Pour un résultat optimal, le piles de le produit doivent être rechargées dans un local où la température est de 10 à 38 °C (50 à 100°F). Ne pas ranger le produit à l'extérieur ou dans un véhicule.**
- **Si le produit est utilisé de façon intensive ou sous des températures extrêmes, des fuites de pile peuvent se produire. En cas de contact du liquide avec la peau, rincer immédiatement la partie atteinte avec de l'eau. En cas d'éclaboussure dans les yeux, les rincer à l'eau fraîche pendant au moins 10 minutes, puis contacter immédiatement un médecin.** Le respect de cette règle réduira les risques de blessures graves.
- **Conserver ces instructions.** Les consulter fréquemment et les utiliser pour instruire les autres utilisateurs éventuels. Si cet outil est prêté, il doit être accompagné de ces instructions.

## SYMBOLES

Les termes de mise en garde suivants et leur signification ont pour but d'expliquer le degré de risques associé à l'utilisation de ce produit.

SYMBOLE	SIGNAL	SIGNIFICATION
	<b>DANGER :</b>	Indique une situation dangereuse qui, si elle n'est pas évitée, aura pour conséquences des blessures graves ou mortelles.
	<b>AVERTISSEMENT :</b>	Indique une situation dangereuse qui, si elle n'est pas évitée, pourrait entraîner des blessures graves ou mortelles.
	<b>ATTENTION :</b>	Indique une situation dangereuse qui, si elle n'est pas évitée, pourrait entraîner des blessures légères ou de gravité modérée.
	<b>AVIS :</b>	(Sans symbole d'alerte de sécurité) Indique les informations jugées importantes sans toutefois représenter un risque de blessure (ex. : messages concernant les dommages matériels).

Certains des symboles ci-dessous peuvent être utilisés sur produit. Veiller à les étudier et à apprendre leur signification. Une interprétation correcte de ces symboles permettra d'utiliser produit plus efficacement et de réduire les risques.

SYMBOLE	NOM	DÉSIGNATION / EXPLICATION
	Symbole d'alerte de sécurité	Indique un risque de blessure potentiel.
	Lire manuel d'utilisation	Pour réduire les risques de blessures, l'utilisateur doit lire et veiller à bien comprendre le manuel d'utilisation avant d'utiliser ce produit.
	Ce produit N'EST PAS conçu pour les personnes de moins de 18 ans.	Ce produit N'EST PAS conçu pour les personnes de moins de 18 ans sans la supervision d'un adulte. CE PRODUIT N'EST PAS UN JOUET.
	Risque d'étouffement	Petites pièces. Garder hors de la portée des enfants. Supervision d'un adulte requise.
	Avertissement concernant l'humidité	Ne pas exposer à la pluie ou l'humidité.
	Symboles de recyclage	Ce produit utilise les piles de lithium-ion (Li-ion). Les réglementations locales ou gouvernementales peuvent interdire de jeter les piles dans les ordures ménagères. Consulter les autorités locales compétentes pour les options de recyclage et/ou l'élimination.
V	Volts	Tension
min	Minutes	Temps
—	Courant continu	Type ou caractéristique du courant
$n_0$	Vitesse à vide	Vitesse de rotation à vide
.../min	Par minute	Tours, coups, vitesse périphérique, orbites, etc., par minute

## ASSEMBLAGE

### **⚠ AVERTISSEMENT :**

Ce produit doit être assemblé par un adulte. Contient des petites pièces. Garder hors de la portée des enfants. Ne pas utiliser le produit s'il n'est pas complètement assemblé ou si des pièces semblent manquantes ou endommagées. L'utilisation d'un produit dont l'assemblage est incorrect ou incomplet ou comportant des pièces endommagées ou absentes représente un risque de blessures graves.

### **⚠ AVERTISSEMENT :**

Ne pas essayer de modifier cet outil ou de créer des pièces et accessoires non recommandés. De telles altérations ou modifications sont considérées comme un usage abusif et peuvent créer des conditions dangereuses, risquant d'entraîner des blessures graves.

Si des pièces manquent ou sont endommagées, veuillez appeler au 1-866-340-3912 pour obtenir de l'aide.

## CARACTÉRISTIQUES

### FICHE TECHNIQUE

Moteur .....18 V C.C.  
Vitesse maximale..... jusqu'à 32 km/h 32 km/h (20 MPH)  
Échelle.....1:10  
Mécanisme d'entraînement..... 2 roues motrices

Portée du contrôleur .....Jusqu'à 91,44 m (300 pi)  
Connexion du camion/contrôleur..... 2,4 GHz  
Alimentation électrique de l'émetteur .....  
.....2 piles AAA de 1,5 volt

## UTILISATION

### **⚠ AVERTISSEMENT :**

Ne pas laisser la familiarité avec l'produit faire oublier la prudence. Ne pas oublier qu'une fraction de seconde d'inattention pouvant entraîner des blessures graves.

### **⚠ AVERTISSEMENT :**

Ne pas utiliser d'produits ou accessoires non recommandés par le fabricant pour cet outil. L'utilisation de pièces et accessoires non recommandés pouvant entraîner des blessures graves.

### **⚠ AVERTISSEMENT :**

Ne jamais utiliser aucune sorte de meules abrasives avec cette scie. L'utilisation de lames autres que pour le bois peut causer des dommages à la propriété ou des blessures graves.

### **⚠ AVERTISSEMENT :**

La conduite du camion requiert de l'habileté et de l'entraînement. Ce camion modèle réduit à pile n'est pas conçu pour être utilisé par les personnes de moins de 18 ans sans la supervision d'un adulte responsable et compétent. CE PRODUIT N'EST PAS UN JOUET. S'il n'est pas utilisé conformément aux directives, le camion peut causer des dommages ou des blessures graves.

### APPLICATIONS

Où utiliser votre camion :

- Ne pas l'utiliser sur les voies publiques, dans les aires de stationnement ou parmi les foules de piétons.

Utiliser ce produit :

- À l'extérieur, là où il y a suffisamment d'espace.
- Loin des gens et des animaux domestiques.

### INSTALLATION/RETRAIT DU BLOC-PILES

Voir la figure 1, page 9.

Pour installer :

- Retirer les quatre goupilles fendues qui fixent la carrosserie du camion au cadre.

**RISQUE D'ÉTOUFFEMENT.** Petites pièces. Garder hors de la portée des enfants. Supervision d'un adulte requise.

- Retirer la carrosserie du camion et le mettre de côté.
- S'assurer que les loquets de chaque côté du bloc-piles s'enclenchent correctement et que le bloc-piles est sécurisé au produit avant de remettre la carrosserie du camion et de commencer le processus.
- Installer la carrosserie du camion sur le cadre. Insérer les goupilles fendues et s'assurer que la carrosserie est correctement installée.

Pour retirer :

- Retirer les quatre goupilles fendues qui fixent la carrosserie du camion au cadre.

## UTILISATION

**RISQUE D'ÉTOUFFEMENT.** Petites pièces. Garder hors de la portée des enfants. Supervision d'un adulte requise.

- Retirer la carrosserie du camion et le mettre de côté.

**PIÈCES CHAUDES.** Le moteur électrique et les autres pièces du véhicule peuvent causer des brûlures à la suite de l'utilisation du véhicule. Le laisser refroidir avant de toucher le moteur et les autres pièces.

- Appuyer sur les loquets pour retirer le bloc-piles.
- Installer la carrosserie du camion sur le cadre. Insérer les goupilles fendues et s'assurer que la carrosserie est correctement installée.

Pour prendre connaissance des consignes de chargement, consulter le manuel d'utilisation des piles et des chargeurs.

### COMMUTATEURS MARCHE-ARRÊT

Voir la figure 2, page 9.

Autant le camion que le contrôleur disposent d'un commutateur **MARCHE-ARRÊT**.

Le commutateur du contrôleur est situé sur la poignée. Lorsque le contrôleur est mis sur **MARCHE**, le voyant **DEL** vert s'allume.

Le commutateur **MARCHE-ARRÊT** du camion est situé sur le dessous du camion.

Toujours mettre les deux commutateurs sur la position **ARRÊT** avant de retirer ou de changer les piles, ou lorsque le camion n'est pas utilisé.

### UTILISATION DU CONTRÔLEUR

Voir les figures 3 - 4, page 10.

La télécommande est alimentée par deux piles AAA. Installer les deux piles AAA avant d'utiliser la télécommande.

Toujours mettre le commutateur du camion et du contrôleur à la position **ARRÊT** lors de l'installation des piles dans le contrôleur.

- Retirer le couvercle du compartiment à piles du contrôleur.
- Installer 2 piles AAA selon les indicateurs de polarité (+ or -) dans le compartiment à piles.
- Remplacer et bien fixer le couvercle du compartiment à piles.

Lorsque le camion dispose d'un bloc-piles chargé et que le commutateur **MARCHE-ARRÊT** est en position **MARCHE**, mettre le contrôleur en position **MARCHE** lui permettra de s'apparier avec le camion. Le contrôleur peut ensuite être utilisé pour conduire et diriger le camion.

**NOTE :** Pour apparier un deuxième camion et contrôleur, mettre le commutateur du deuxième camion en position **MARCHE**, puis mettre le commutateur du deuxième contrôleur en position **MARCHE**. Répéter cette séquence pour chaque véhicule supplémentaire. Le camion s'appariera avec le contrôleur le plus proche lorsqu'il sera allumé.

Si le camion devient difficile à contrôler, les piles AAA doivent probablement être remplacées.

### L'AJUSTEMENT DU DISPOSITIF DE COMPENSATION DE DIRECTION

Voir la figure 3, page 10.

Avant de tirer sur la commande d'accélérateur, vérifiez le dispositif de compensation de direction. Les roues devraient être dirigées droit devant, pour empêcher le camion de virer vers la gauche ou la droite lorsque la commande d'accélération est activée.

Le dispositif de compensation de direction doit être examiné et ajusté périodiquement pour obtenir un maximum de performance et de contrôle.

Le dispositif de compensation de direction peut être ajusté si le camion de course vire vers la gauche ou la droite lorsque vous conduisez en ligne droite.

Mettez le camion sur une boîte ou un bloc de façon à ce que les roues ne touchent le sol. Ne touchez pas aux roues pendant que vous faites les ajustements.

- **Si le camion vire vers la gauche :** tournez le dispositif de compensation vers la droite.
- **Si le camion vire vers la droite :** tournez le dispositif de compensation vers la gauche.

### LA COMMANDE D'ACCÉLÉRATION À VITESSE VARIABLE

Voir la figure 3, page 10.

La commande d'accélération à vitesse variable contrôle la vitesse du camion et la fonction marche avant/arrière. Plus vous appuyez ou tirez sur la commande, plus vous augmentez la vitesse.

- **Pour rouler en marche avant :** tirez vers l'arrière sur la commande d'accélération.
- **Pour freiner :** poussez vers l'avant sur la commande d'accélération.
- **Pour rouler en marche arrière :** poussez vers l'avant sur la commande d'accélération.

### LE VOLANT DE DIRECTION

Voir la figure 3, page 10.

Le volant tourne le camion vers la droite ou la gauche. Plus vous tournez le volant, plus le camion effectuera un virage serré.

Relâcher le volant pour aller tout droit.

### LA CONDUITE

Voir la figure 5, page 10.

Le camion peut atteindre une vitesse maximale de 32 km/h (20 MPH). Pour vous familiariser avec le fonctionnement du camion, complétez la leçon de conduite ci-dessous lorsque vous conduisez le camion pour la première fois. Prenez votre temps et conduisez lentement jusqu'à ce que vous soyez à l'aise avec toutes les fonctionnalités.

## UTILISATION

### **AVERTISSEMENT :**

Afin d'éviter des blessures graves ou des dommages, toujours garder le camion dans son champ de vision pendant qu'on l'utilise. Toujours utiliser ce produit à l'extérieur, là où il y a suffisamment d'espace, et à l'écart des personnes et des animaux domestiques. Ne pas utiliser le camion sur les voies publiques, dans les aires de stationnement ou parmi les foules de piétons.

**NOTE :** Toujours mettre le contrôleur à la position **MARCHE** avant de mettre le camion à la position **MARCHE**. Toujours mettre le camion à la position **ARRÊT** avant de mettre le contrôleur à la position **ARRÊT**.

- Conduire lentement le camion sur une courte distance en marche avant et en marche arrière.
- Conduire lentement le camion en rond.
- Conduire lentement le camion en formant des huit.
- Répéter les étapes ci-dessus tout en augmentant progressivement la vitesse du camion.

**NOTE :** Une collision avec un mur ou un autre objet solide entraînera l'arrêt du moteur du camion.

#### **Pour réinitialiser le camion :**

- Basculer le commutateur du camion à la position **ARRÊT** puis à la position **MARCHE**.

Le camion fonctionne mieux sur les surfaces en béton ou en asphalte. Pour un fonctionnement optimal, ne jamais conduire le camion sur une surface inégale, dans l'eau, ou autour de véhicules en mouvement.

### **AVIS :**

Pour éviter d'endommager le camion, ne jamais dans une flaqué, sur le sable, sur l'herbe mouillée, ou dans la boue, dans la pluie ou dans la neige.

Le camion s'arrêtera s'il s'éloigne de la portée de 91,44 m (300 pi) du contrôleur. Se déplacer dans un rayon de 91,44 m (300 pi) du camion pour le faire rouler à nouveau.

Si le camion se déplace lentement et que les piles sont chargées, mettre le camion à la position **ARRÊT**, puis mettre le contrôleur à la position **ARRÊT**, et examiner les mécanismes des roues pour détecter et enlever des peluches, des fils, des cheveux, ou de la poussière.

Ce produit utilise les piles de lithium-ion (Li-ion). Les réglementations locales ou gouvernementales peuvent interdire de jeter les piles dans les ordures ménagères. Consulter les autorités locales compétentes pour les options de recyclage et/ou l'élimination.

## ENTRETIEN

### **AVERTISSEMENT :**

Utiliser exclusivement des pièces d'origine pour les réparations. L'usage de toute autre pièce pourrait créer une situation dangereuse ou endommager l'produit.

#### **ENTRETIEN GÉNÉRAL**

Éviter d'utiliser des solvants pour le nettoyage des pièces en plastique. La plupart des matières plastiques peuvent être endommagées par divers types de solvants du commerce. Utiliser un chiffon propre pour éliminer la saleté, la poussière, l'huile, la graisse, etc.

#### **ENTRETIEN DU MOTEUR**

Le moteur à balais doit être nettoyé périodiquement à l'aide d'un vaporisateur à nettoyant pour moteur électrique, offert dans les magasins de bricolage. Vaporiser les balais et le commutateur dans le boîtier du moteur afin que le moteur continue de fonctionner correctement. Après le nettoyage, utiliser une huile du palier liquide afin de lubrifier les coussinets de palier.

**NOTE: ILLUSTRATIONS COMMENÇANT SUR 9 DE PAGE  
APRÈS LE SECTION ESPAGNOL.**

## CONFORMITÉ AUX NORMES DE LA FEDERAL COMMUNICATIONS COMMISSION (FCC)

### **AVERTISSEMENT :**

Toute modification apportée à l'unité qui n'a pas été expressément approuvée par le responsable de la conformité du produit pourrait suffire à révoquer le droit de l'utilisateur à se servir de l'équipement.

Cet appareil est conforme à la Partie 15 des Règles FCC et aux normes RSS d'Industrie Canada en matière d'appareils exempts de licence. L'exploitation est autorisée aux deux conditions suivantes : (1) l'appareil ne doit pas produire de brouillage, et (2) l'utilisateur de l'appareil doit accepter tout brouillage radioélectrique subi, même si le brouillage est susceptible d'en compromettre le fonctionnement.

**NOTE :** Le cessionnaire n'assume aucune responsabilité pour les modifications qui ne sont pas expressément approuvées par la partie responsable de la conformité. Ces modifications pourraient annuler l'autorité de l'usager à utiliser l'équipement.

**NOTE :** Après avoir fait subir un essai à l'équipement, il a été déterminé que celui-ci est conforme aux normes relatives à un appareil numérique de classe B, selon la partie 15 des règles de la FCC. Ces normes ont été fixées afin de fournir une protection raisonnable contre une interférence nuisible dans une installation résidentielle. Cet équipement produit et utilise de l'énergie RF. Si l'équipement n'est pas installé et utilisé conformément aux instructions, cela peut causer de l'interférence aux radiocommunications. However, there is no guarantee that interference will not occur in a particular installation. Toutefois, des interférences peuvent se produire dans une installation donnée. Si cet équipement ne produit aucun brouillage préjudiciable à la réception des signaux de radio ou de télévision, ce qui peut être déterminé en allumant et en éteignant l'appareil, on recommande à l'utilisateur de corriger l'interférence par l'une des mesures suivantes :

- Réorienter ou déplacer l'antenne de réception.
- Augmenter l'espacement entre l'équipement et le récepteur.
- Brancher l'équipement dans une prise différente de celle du récepteur.
- Consulter le marchand ou un technicien expérimenté en radiotélédiffusion pour obtenir de l'aide.

### **Canada, Industrie Canada (IC)**

Le présent appareil est conforme aux CNR d'Industrie Canada applicables aux appareils radio exempts de licence. L'exploitation est autorisée aux deux conditions suivantes : (1) l'appareil ne doit pas produire de brouillage, et (2) l'utilisateur de l'appareil doit accepter tout brouillage radioélectrique subi, même si le brouillage est susceptible d'en compromettre le fonctionnement.

Conformément à la réglementation d'Industrie Canada, le présent émetteur radio peut fonctionner avec une antenne d'un type et d'un gain maximal (ou inférieur) approuvé pour l'émetteur par Industrie Canada. Dans le but de réduire les risques de brouillage radioélectrique à l'intention des autres utilisateurs, il faut choisir le type d'antenne et son gain de sorte que la puissance isotrope rayonnée équivalente (p.i.r.e.) ne dépasse pas l'intensité nécessaire à l'établissement d'une communication satisfaisante.



## INSTRUCCIONES DE SEGURIDAD IMPORTANTES

### ADVERTENCIA

Lea todas las advertencias de seguridad y las instrucciones. El incumplimiento de las advertencias e instrucciones puede ocasionar descarga eléctrica, fuego o lesiones graves.

### ADVERTENCIA

Este camión en miniatura a batería no está diseñado al uso por parte de personas menores de 18 años sin la supervisión de un adulto responsable y con conocimientos. NO ES UN JUGUETE.

- **PELIGRO DE ATRAGANTARSE.** El camión incluye piezas pequeñas. Mantenga el producto fuera del alcance de los niños. Se requiere la supervisión de un adulto.
- **Siempre use el producto en el exterior, con espacio adecuado. No conduzca el camión en caminos públicos, playas de estacionamiento ni donde haya muchos peatones.**
- **Use el camión lejos de menores de 18 años, transeúntes y mascotas. Nunca persiga a animales o personas.** Toda distracción puede causar pérdida del control de la producto.
- **PIEZAS CALIENTES.** El motor eléctrico y otras piezas del vehículo podrían causar quemaduras tras el uso de este. Deje que el producto se enfríe antes de tocar el motor y otras piezas.
- **Siempre use gafas con protección lateral con la marca de cumplimiento de la norma ANSI Z87.1 cuando ensamble las piezas y realice tareas de mantenimiento en el producto.** El cumplimiento de esta norma reducirá el lesiones personales graves.
- **Tenga cuidado con los posibles peligros cuando no use el camión o al cambiar los accesorios.** El cumplimiento de esta norma reducirá el riesgo de descargas eléctricas, incendios o lesiones personales graves.
- **No exponga las productos a baterías a la lluvia ni a condiciones de humedad.** La introducción de agua en una producto a batería aumenta el riesgo de descargas eléctricas.
- **Cargue las baterías solamente con el cargador indicado.** Para utilizar con paquetes de baterías de iones de litio de 18 V, consulte el folleto de la producto/aparato/paquete de baterías/cargador complementario 987000-432.
- **Permanezca alerta, preste atención a lo que esté haciendo y aplique el sentido común al utilizar productos a baterías. No utilice la producto a batería si está cansado o se encuentra bajo los efectos de alguna droga, alcohol o medicamento.** Un momento de inatención al utilizar una producto a batería puede causar lesiones corporales serias.
- **Evite un arranque accidental de la unidad. Asegúrese de que el interruptor esté en la posición de apagado antes de conectar la producto.** Portar las productos a baterías con el dedo en el interruptor, o conectarlas con el interruptor puesto, propicia accidentes.
- **No estire el cuerpo para alcanzar mayor distancia. Mantenga una postura firme y buen equilibrio en todo momento.** De esta manera se logra un mejor control de la producto a batería en situaciones inesperadas.
- **No utilice la unidad al estar en una escalera o en un soporte inestable.** Una postura estable sobre una superficie sólida permite un mejor control de la producto a batería en situaciones inesperadas.
- **No utilice la product si el interruptor no enciende o no apaga.** Cualquier product eléctrica que no pueda controlarse con el interruptor es peligrosa y debe repararse.
- **Desconecte la clavija del suministro de corriente o retire el paquete de baterías de la producto, según sea el caso, antes de efectuarle cualquier ajuste, cambiarle accesorios o guardarla.** Tales medidas preventivas de seguridad reducen el riesgo de poner en marcha accidentalmente la product.
- **Guarde las productos a baterías desocupadas fuera del alcance de los niños y no permita que las utilicen personas no familiarizadas con las mismas o con estas instrucciones.** Las productos a baterías son peligrosas en manos de personas no capacitadas en el uso de las mismas.
- **Preste servicio a las productos a baterías. Revise para ver si hay desalineación o atoramiento de piezas móviles, ruptura de piezas o cualquier otra condición que pueda afectar el funcionamiento de la product. Si está dañada la producto a, permita que la reparen antes de usarla.** Numerosos accidentes son causados por productos a baterías mal cuidadas.

### EMPLEO Y CUIDADO DE LA PRODUCTO DE BATERÍAS

- **Sólo cargue el paquete de baterías con el cargador especificado por el fabricante.** Un cargador adecuado para un tipo paquete de baterías puede significar un riesgo de incendio si se emplea con un paquete de baterías diferente.
- **Utilice las productos a baterías sólo con los paquetes de baterías específicamente indicados.** El empleo de paquetes de baterías diferentes puede presentar un riesgo de incendio.

## INSTRUCCIONES DE SEGURIDAD IMPORTANTES

- Cuando no esté utilizándose el paquete de baterías, manténgalo lejos de otros objetos metálicos, como clips, monedas, llaves, clavos, tornillos o otros objetos metálicos, pequeños que puedan establecer conexión entre ambas terminales. Establecer una conexión directa entre las dos terminales de las baterías puede causar quemaduras o incendios.
- Si se maltratan las baterías, puede derramarse líquido de las mismas; evite todo contacto con éste. En caso de contacto, lávese con agua. Si el líquido llega a tocar los ojos, además busque atención médica. El líquido de las baterías puede causar irritación y quemaduras.
- No intente recargar baterías no recargables.
- Las baterías recargables solo deben cargarse bajo la supervisión de un adulto.
- Retire las baterías agotadas del vehículo y el controlador.
- Cuando el vehículo no esté en uso, retire el paquete de baterías. Es posible que algunos paquetes de baterías presenten fugas de productos químicos que podrían dañar las partes electrónicas.

### SERVICIO




- Permita que un técnico de reparación calificado preste servicio a la producto a batería, y sólo con piezas de repuesto idénticas. De esta manera se mantiene la seguridad de la producto a batería.
- Al dar servicio a una producto a batería, sólo utilice piezas de repuesto idénticas. Siga las instrucciones señaladas en la sección Mantenimiento de este manual. El empleo de piezas no autorizadas o el incumplimiento de las instrucciones de mantenimiento puede significar un riesgo de descarga eléctrica o de lesiones.

## ADVERTENCIAS DE SEGURIDAD PARA CAMIÓN A CONTROL








- No use el camión de manera inapropiada ni lo choque.
  - No apunte el camión hacia personas, animales ni objeto.
  - Familiarícese con su producto a batería. Lea cuidadosamente el manual del operador. Aprenda sus usos y limitaciones, así como los posibles peligros específicos de esta producto a batería. Con el cumplimiento de esta regla se reduce el riesgo de una descarga eléctrica, incendio o lesión seria.
  - Esté consciente de los posibles peligros cuando no esté usando la producto de baterías o cuando esté cambiando los accesorios de la misma. Con el cumplimiento de esta regla se reduce el riesgo de una descarga eléctrica, incendio o lesión corporal seria.
  - No coloque el camión o las baterías cerca del fuego o el calor. Ni las baterías mismas cerca del fuego o del calor. De esta manera se reduce el riesgo de explosiones y de lesiones.
  - No aplaste, deje caer o dañe de baterías. Nunca utilice una batería o cargador que se ha caído, aplastado, recibido un golpe contundente o ha sido dañado(a) de alguna manera. Las baterías dañadas pueden sufrir explosiones. Deseche de inmediato toda batería que haya sufrido una caída o cualquier daño.
  - Las baterías pueden explotar en presencia de fuentes de inflamación, como los pilotos de gas.
- Para reducir el riesgo de lesiones serias, nunca use un producto inalámbrico en presencia de llamas expuestas. La explosión de una batería puede lanzar fragmentos y compuestos químicos. Si ha quedado expuesto a la explosión de una batería, lávese de inmediato con agua.
- No cargue productos de baterías en lugares mojados o húmedos. Con el cumplimiento de esta regla se reduce el riesgo de una descarga eléctrica.
  - Para obtener resultados óptimos, debe cargar la producto de baterías en un lugar donde la temperatura esté entre 10 y 38 °C (entre 50 y 100 °F). No guarde la producto a la intemperie ni en el interior de vehículos.
  - En condiciones extremas de uso o temperatura las baterías pueden emanar líquido. Si el líquido llega a tocarle la piel, lávese de inmediato con agua y jabón. Si le entra líquido en los ojos, láveselos con agua limpia por lo menos 10 minutos, y después busque de inmediato atención médica. Con el cumplimiento de esta regla se reduce el riesgo de lesiones corporales serias.
  - Guarde estas instrucciones. Consúltelas con frecuencia y empléelas para instruir a otras personas que puedan utilizar esta producto. Si presta a alguien esta producto, facilítele también las instrucciones.

## SÍMBOLOS

Las siguientes palabras de señalización y sus significados tienen el objeto de explicar los niveles de riesgo relacionados con este producto.

SÍMBOLO	SEÑAL	SIGNIFICADO
	<b>PELIGRO:</b>	Indica una situación peligrosa, la cual, si no se evita, causará la muerte o lesiones serias.
	<b>ADVERTENCIA:</b>	Indica una situación peligrosa, la cual, si no se evita, podría causar la muerte o lesiones serias.
	<b>PRECAUCIÓN:</b>	Indica una situación peligrosa, la cual, si no se evita, podría causar lesiones menores o leves.
	<b>AVISO:</b>	(Sin el símbolo de alerta de seguridad) Indica la información que se considera importante, pero no relacionada con lesiones potenciales (por ej. en relación a daños a la propiedad).

Es posible que se empleen en este producto algunos de los siguientes símbolos. Le suplicamos estudiarlos y aprender su significado. Una correcta interpretación de estos símbolos le permitirá utilizar mejor y de manera más segura el producto.

SÍMBOLO	NOMBRE	DENOMINACIÓN/EXPLICACIÓN
	Alerta de seguridad	Indica un peligro posible de lesiones personales.
	Lea el manual del operador	Para reducir el riesgo de lesiones, el usuario debe leer y comprender el manual del operador antes de usar este producto.
	NO está destinado a menores de 18 años.	NO destinado a menores de 18 años sin la supervisión de un adulto. NO ES UN JUGUETE.
	Peligro de atragantarse	Piezas pequeñas. Mantenga el producto fuera del alcance de los niños. Se requiere la supervisión de un adulto.
	Alerta de condiciones húmedas	No exponga la unidad a la lluvia ni la use en lugares húmedos.
	Símbolos de reciclado	Este producto utiliza baterías de iones de litio (Li-ion). Es posible que algunas leyes municipales, estatales o federales prohíban desechar las baterías en la basura normal. Consulte a las autoridades reguladoras de desechos para obtener información en relación con las alternativas de reciclado y desecho disponibles.
V	Volts	Voltaje
min	Minutos	Tiempo
	Corriente continua	Tipo o característica de corriente
$n_0$	Velocidad en vacío	Velocidad de rotación, en vacío
.../min	Por minuto	Revoluciones, carreras, velocidad superficial, órbitas, etc., por minuto

## ARMADO

### **⚠ ADVERTENCIA:**

Requiere el armado por parte de un adulto. Contiene piezas pequeñas. Mantenga el producto fuera del alcance de los niños. No use este producto si no está totalmente ensamblado o si alguna pieza falta o está dañada. El uso de un producto que no está adecuadamente y completamente ensamblado o posee partes dañadas o faltantes puede resultar en lesiones personales graves.

### **⚠ ADVERTENCIA:**

No intente modificar este producto ni crear aditamentos o accesorios que no estén recomendados para usar con este producto. Dichas alteraciones o modificaciones constituyen un uso indebido y podrían provocar una situación de riesgo que cause posibles lesiones personales graves.

Si hay piezas dañadas o faltantes, le suplicamos llamar al 1-866-346-3912 donde le brindaremos asistencia.

## CARACTERÍSTICAS

### ESPECIFICACIONES DEL PRODUCTO

Motor ..... 18 V c.c.  
Velocidad máxima ..... hasta 32 km/h (20 MPH)  
Escala ..... 1:10  
Mecanismo de impulso ..... 2 ruedas

Rango del controlador ..... Hasta 91,44 m (300 pies)  
Conexión del camión/controlador ..... 2,4 GHz  
Fuente de alimentación del transmisor .....  
..... 2 baterías AAA de 1,5 voltios

## FUNCIONAMIENTO

### **⚠ ADVERTENCIA:**

No permita que su familiarización con este productos lo vuelva descuidado. Tenga presente que un descuido de un instante es suficiente para causar una lesión grave.

### **⚠ ADVERTENCIA:**

Siempre retire el paquete de baterías de la producto cuando esté ensamblando partes, realizando ajustes, limpiando o cuando ésta no esté en uso. Retirando el paquete de baterías se evita arrancar accidentalmente la unidad, lo cual puede causar lesiones serias.

### **⚠ ADVERTENCIA:**

No utilice ningún aditamento o accesorio no recomendado por el fabricante de esta producto. El empleo de aditamentos o accesorios no recomendados podría causar lesiones serias.

### **⚠ ADVERTENCIA:**

La conducción del camión requiere de habilidad y práctica. Este camión en miniatura a batería no está diseñado al uso por parte de personas menores de 18 años sin la supervisión de un adulto responsable y con conocimientos. **NO ES UN JUGUETE.** Cuando no se utilice según las instrucciones, el camión podría causar daños materiales o lesiones personales graves.

### APLICACIONES

Dónde utilizar el camión:

- No conduzca el camión en caminos públicos, playas de estacionamiento ni donde haya muchos peatones.

Debe usar este producto:

- En el exterior, con espacio adecuado.
- Lejos de personas y mascotas.

### INSTALACIÓN/DESMONTAR DEL PAQUETE DE BATERÍAS

*Vea la figura 1, página 9.*

#### Para instalarlo:

- Retire las cuatro clavijas que aseguran la carrocería del camión al chasis.

**PELIGRO DE ATRAGANTARSE.** Piezas pequeñas. Mantenga el producto fuera del alcance de los niños. Se requiere la supervisión de un adulto.

- Retire la carrocería del camión y hágala a un lado.
- Asegúrese de que los pestillos de ambos lados del paquete de baterías encajen en su lugar y de que este quede asegurado al producto antes de volver a colocar la carrocería del camión y empezar a usarlo.
- Coloque la carrocería del camión sobre el chasis. Inserte las clavijas y asegúrese de que la carrocería quede instalada de forma segura.

#### Para extraer:

- Retire las cuatro clavijas que aseguran la carrocería del camión al chasis.

## FUNCIONAMIENTO

**PELIGRO DE ATRAGANTARSE.** Piezas pequeñas. Mantenga el producto fuera del alcance de los niños. Se requiere la supervisión de un adulto.

- Retire la carrocería del camión y hágala a un lado.

**PIEZAS CALIENTES.** El motor eléctrico y otras piezas del vehículo podrían causar quemaduras tras el uso de este. Deje que el producto se enfríe antes de tocar el motor y otras piezas.

- Presione los pestillos para quitar el paquete de baterías.
- Coloque la carrocería del camión sobre el chasis. Inserte las clavijas y asegúrese de que la carrocería quede instalada de forma segura.

Para obtener instrucciones específicas de carga, lea el manual del operador que se incluye con el cargador y la batería.

### INTERRUPTORES DE ENCENDIDO/APAGADO

*Vea la figura 2, página 9.*

Tanto el camión como el controlador tienen un interruptor de **ENCENDIDO/APAGADO**.

El interruptor del controlador está ubicado en el lateral izquierdo. Cuando se **ENCIENDE** el controlador, la luz LED verde brilla.

El interruptor de **ENCENDIDO/APAGADO** del camión está ubicado en la parte inferior.

Coloque siempre ambos interruptores en la posición de **APAGADO** antes de retirar o cambiar las baterías, o cuando el camión no esté en uso.

### USO DEL CONTROLADOR

*Vea las figuras 3 - 4, página 10.*

El controlador funciona con 2 baterías AAA. Deberá instalar 2 baterías AAA antes de usar el controlador.

Siempre coloque los interruptores del camión y el controlador en la posición de **APAGADO** al instalar la batería en el controlador.

- Retire la tapa de la batería del controlador.
- Instale 2 baterías AAA según los indicadores de polaridad (+ o -) del compartimiento de la batería.
- Vuelva a colocar y asegurar la tapa de la batería.

Cuando haya un paquete de baterías cargado en el camión y el interruptor de **ENCENDIDO/APAGADO** esté en la posición de **ENCENDIDO**, al **ENCENDER** el controlador, se establecerá conexión con el camión. Cuando esto suceda, podrá usar el controlador para conducir y orientar el camión.

**NOTA:** Para conectar un segundo camión y controlador, **ENCIENDA** el interruptor del otro camión y luego el interruptor del controlador de ese camión. Repita la secuencia para cada vehículo adicional. El camión se conectará con el controlador más cercano al encenderlo.

Si resulta difícil controlar el camión, es posible que deba cambiar las baterías AAA.

### AJUSTE DEL REGULADOR DE DIRECCIÓN

*Vea la figura 3, página 10.*

Antes de tirar del gatillo de aceleración, verifique el regulador de dirección. Las ruedas deben direccionarse hacia delante en línea recta para evitar que el camión gire hacia la izquierda o derecha al tirar del gatillo de aceleración.

Verifique y ajuste el regulador de dirección de forma periódica para lograr el rendimiento y control máximos.

El regulador de dirección puede ajustarse si el camión de carrera gira hacia la izquierda o derecha al conducirlo hacia delante en línea recta.

Coloque el camión sobre una caja o bloque de modo que las ruedas no toquen el piso. No toque las ruedas al realizar los ajustes.

- **Si el camión gira hacia la izquierda:** gire el regulador de dirección hacia la derecha.
- **Si el camión gira hacia la derecha:** gire el regulador de dirección hacia la izquierda.

### GATILLO DE ACELERACIÓN DE VELOCIDAD

#### VARIABLE

*Vea la figura 3, página 10.*

El gatillo de aceleración de velocidad variable controla la velocidad del camión y la función de conducción hacia delante/atrás. Mientras más tire del gatillo o lo empuje, mayor será la velocidad.

- **Para conducir el camión hacia delante:** tire del gatillo de aceleración hacia atrás.
- **Para frenar:** empuje el gatillo de aceleración hacia delante.
- **Para conducir el camión en reversa:** empuje el gatillo de aceleración hacia delante.

### RUEDA DE DIRECCIÓN

*Vea la figura 3, página 10.*

La rueda de dirección gira el camión hacia la derecha o izquierda. Mientras más gire la rueda, más cerrado será el giro del camión.

Suelte la rueda para conducir el camión hacia delante en línea recta.

### CONDUCCIÓN

*Vea la figura 5, página 10.*

El camión puede alcanzar una velocidad máxima de 32 km/h (20 MPH). Para familiarizarse con la operación del camión, complete la lección sobre conducción que figura a continuación al conducir el camión por primera vez. Tómese su tiempo y conduzca el camión lentamente hasta sentirse cómodo con todas las funciones.

## FUNCIONAMIENTO

### **ADVERTENCIA:**

Para evitar lesiones o daños materiales, siempre mantenga el camión a la vista durante el uso. Siempre use el producto en el exterior, en lugares con espacio adecuado y lejos de personas y mascotas. No conduzca el camión en caminos públicos, playas de estacionamiento ni donde haya muchos peatones.

**NOTE:** Siempre **ENCIENDA** el controlador antes de **ENCENDER** el camión. Siempre **APAGUE** el camión antes de **APAGAR** el controlador.

- Conduzca el camión hacia delante y hacia atrás lentamente en una distancia corta.
- Conduzca el camión en círculos lentamente.
- Conduzca el automóvil en forma de ochos lentamente.
- Repita los pasos anteriores mientras aumenta la velocidad del camión gradualmente.

**NOTA:** Si el camión impacta contra una pared o un objeto sólido, el motor se detendrá.

**Para restablecer el camión:**

- **APAGUE** el interruptor del camión y vuelva a **ENCENDERLO**.

El camión funciona mejor en superficies de asfalto o concreto. Para lograr el mejor funcionamiento, nunca conduzca el camión en una superficie desnivelada, en el agua o en presencia de vehículos en movimiento.

### **AVISO:**

Para evitar daños en el camión, nunca lo conduzca en un charco ni sobre arena, vidrio húmedo, barro o nieve.

El camión se detendrá si sale del rango de control de 91,44 m (300 pies). Muévase en ese rango con respecto al camión para que este vuelva a funcionar.

Si el camión se mueve lentamente y la batería está cargada, **APAGUE** el camión y luego el controlador, y verifique los mecanismos de las ruedas para comprobar si hay pelusas, hilos, pelo o polvo.

Este producto utiliza baterías de iones de litio (Li-ion). Es posible que algunas leyes municipales, estatales o federales prohíban desechar las baterías en la basura normal. Consulte a las autoridades reguladoras de desechos para obtener información en relación con las alternativas de reciclado y desecho disponibles.

## MANTENIMIENTO

### **ADVERTENCIA:**

Al dar servicio a la unidad, sólo utilice piezas de repuesto idénticas. El empleo de piezas diferentes podría causar un peligro o dañar el producto.

### **MANTENIMIENTO GENERAL**

Evite el empleo de solventes al limpiar piezas de plástico. La mayoría de los plásticos son susceptibles a diferentes tipos de solventes comerciales y pueden resultar dañados. Utilice paños limpios para eliminar la suciedad, el polvo, el aceite, la grasa, etc.

### **MANTENIMIENTO DEL MOTOR**

El motor con escobillas debe limpiarse periódicamente con un rociador para limpieza de motores eléctricos, disponible en su tienda local de artículos de hobby. Rocíe las escobillas y el conmutador dentro de la carcasa del motor para mantenerlo en funcionamiento adecuado. Después de limpiarlo, use aceite para cojinetes para lubricar los cojinetes de los bujes.

## CUMPLIMIENTO DE LAS NORMAS DE LA FCC

### **ADVERTENCIA:**

Los cambios o modificaciones hechos a esta unidad sin la autorización expresa del responsable del cumplimiento de la norma podrían anular la autoridad del usuario para manejar el equipo.

Este dispositivo cumple con la Parte 15 de las Reglas de FCC y con los estándares de la industria de RSS exentos de licencia de Canadá. El funcionamiento está sujeto a las siguientes dos condiciones: (1) Este dispositivo no debe causar interferencias perjudiciales, y (2) Este dispositivo debe admitir toda interferencia recibida, incluso aquella que pudiera dificultar el funcionamiento esperado.

**NOTA:** El ente que ofrece la garantía no es responsable por los cambios o modificaciones que no estén expresamente aprobados por la parte responsable del cumplimiento. Dichas modificaciones pueden anular la autoridad del usuario para hacer funcionar el equipo.

**NOTA:** Se ha verificado y determinado que este equipo cumple con los límites correspondientes a los dispositivos digitales de Clase B, de acuerdo con la Parte 15 de las Normas de la FCC. Estos límites están establecidos para proporcionar una protección razonable contra la interferencia dañina en las instalaciones residenciales. Este equipo genera, utiliza y puede irradiar energía de frecuencia de radio, y si no se instala y emplea de conformidad con las instrucciones, puede causar interferencia dañina a las radiocomunicaciones. No obstante, no hay garantía de que no ocurrirá ninguna interferencia en cada instalación en particular. Si este equipo causa interferencia dañina en la recepción de radio o televisión, lo cual puede determinarse apagando y luego encendiendo el equipo, se exhorta al usuario a tratar de corregir la interferencia tomando una o más de las siguientes medidas:

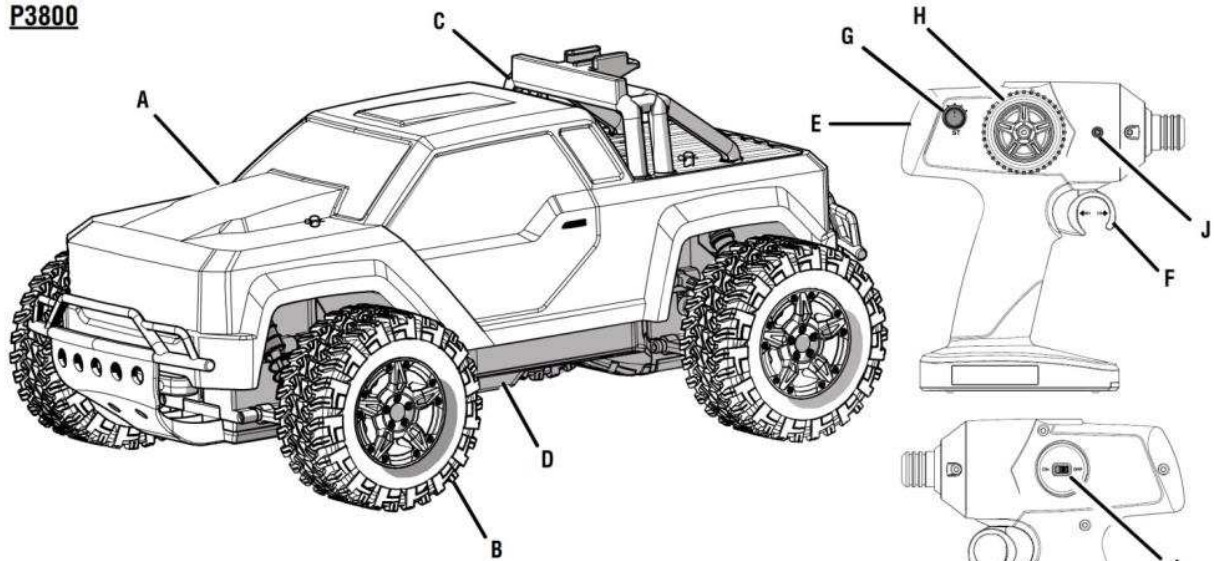
- Cambiar la orientación o ubicación de la antena receptora.
- Aumentar la separación entre el equipo y el aparato receptor.
- Conectar el equipo en una toma de corriente de un circuito diferente al que esté conectado el aparato receptor.
- Consultar al concesionario o a un técnico experimentado de radio y TV para que le brinden ayuda.

### **Canada, Industry Canada (IC)**

This device complies with Industry Canada license-exempt RSS standard(s). Operation is subject to the following two conditions: (1) this device may not cause interference, and (2) this device must accept any interference, including interference that may cause undesired operation of the device.

Según las regulaciones de Industria de Canadá, este transmisor de radio únicamente puede funcionar con una antena de un tipo y una ganancia máxima (o menor) para el transmisor aprobada por Industria de Canadá. Para reducir una potencial interferencia de radio a otros usuarios, el tipo de antena y su ganancia se deben elegir de forma tal que la potencia isotrópica radiada equivalente (p.i.r.e.) no exceda la necesaria para establecer la comunicación.

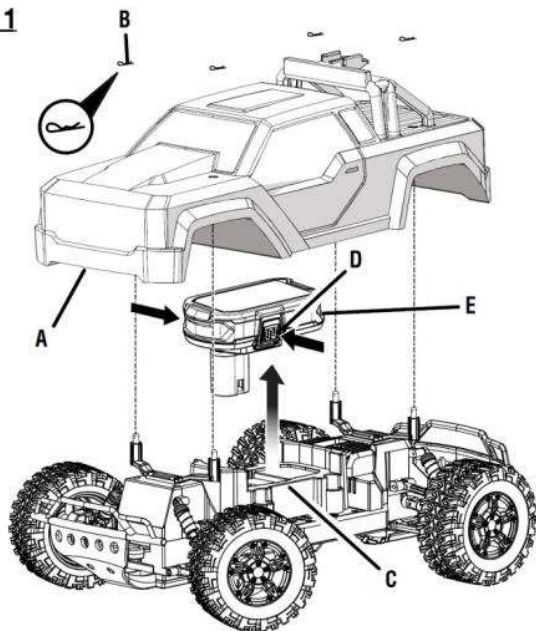
**P3800**



- A - Truck body (carrosserie du camion, carrocería del camión)
- B - Tires (pneus, neumáticos)
- C - Roll cage (cage de retournement, jaula de seguridad)
- D - Chassis (châssis, chasis)
- E - Controller (contrôleur, controlador)
- F - Throttle trigger (commande d'accélération, gatillo de aceleración)

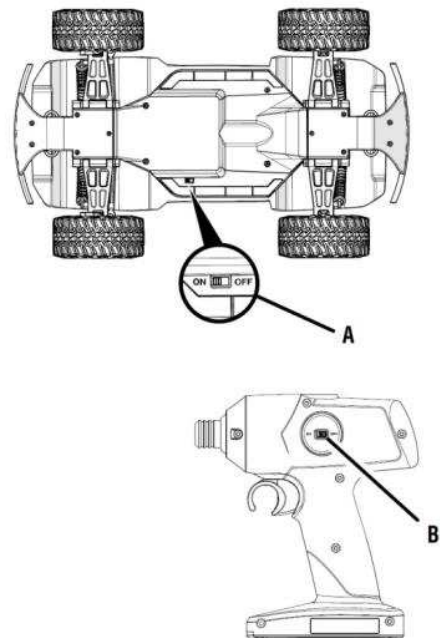
- G - Trim adjuster (dispositif de compensation, regulador de dirección)
- H - Steering wheel (volant de direction, rueda de dirección)
- I - Controller On/Off Switch (commutateur marche/arrêt du contrôleur, interruptor de encendido/apagado)
- J - LED indicator (voyant del, indicador led)

**Fig. 1**



- A - Truck body (carrosserie du camion, carrocería del camión)
- B - Cotter pins (goupilles fendues, interruptor de encendido/apagado del controlador)
- C - Battery port (logement de pile, receptáculo de las batería)
- D - Latch(es) [loquet(s), pestillo(s)]
- E - Battery pack (bloc-pile, paquete de batería)

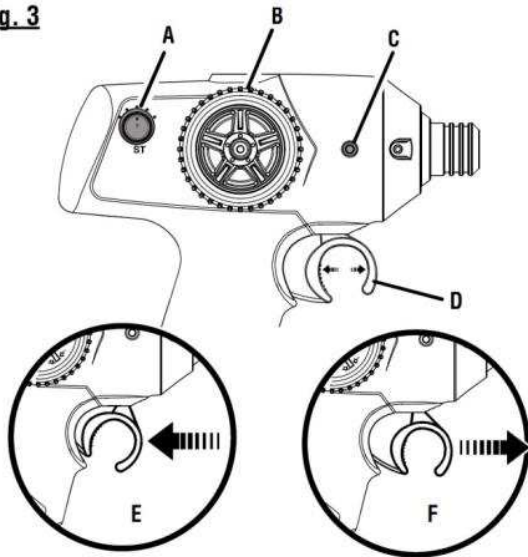
**Fig. 2**



- A - Truck On/Off switch (commutateur marche/arrêt du camion, interruptor de encendido/apagado del camión)
- B - Controller On/Off switch (commutateur marche/arrêt du contrôleur, interruptor de encendido/apagado del controlador)

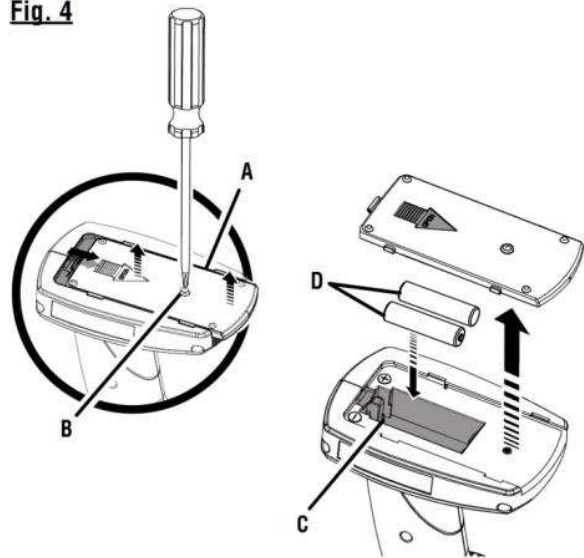


**Fig. 3**



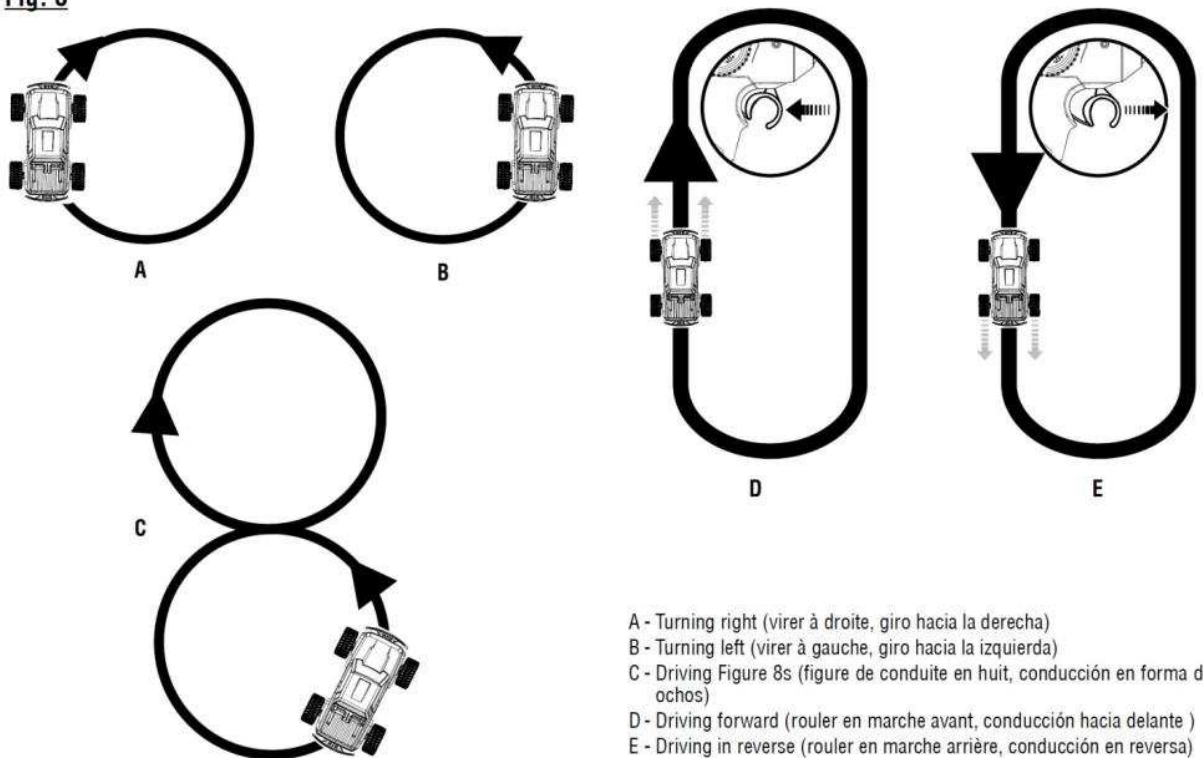
- A - Trim adjuster (dispositif de compensation , regulador de direcció )
- B - Steering wheel (volant de direction, rueda de direcció)
- C - LED indicator (voyant del, indicador led)
- D - Throttle trigger (commande d'accélération, gatillo de aceleració)
- E - Pull to drive forward (tirer pour rouler en marche avant, tire para conducir el camió hacia delante )
- F - Push to drive in reverse/brake (pousser pour rouler en marche arrière/ freiner, empuje para conducir el camió hacia atrás/frenar)

**Fig. 4**



- A - Battery compartment cover (couverture du compartiment des piles, tapa del compartiment de la batería)
- B - Screw (vis, tornillo)
- C - Battery compartment (compartiment des pile, compartiment de la batería)
- D - AAA Batteries (piles AAA, baterías AAA)

**Fig. 5**



- A - Turning right (virer à droite, giro hacia la derecha)
- B - Turning left (virer à gauche, giro hacia la izquierda)
- C - Driving Figure 8s (figure de conduite en huit, conducción en forma de ochos)
- D - Driving forward (rouler en marche avant, conducción hacia delante )
- E - Driving in reverse (rouler en marche arrière, conducción en reversa)







**OPERATOR'S MANUAL/18 VOLT RC TRUCK  
MANUEL D'UTILISATION/18 VOLT RC TRUCK  
MANUAL DEL OPERADOR/18 VOLT RC TRUCK  
P3800**

To request service, purchase replacement parts,  
locate an Authorized Service Center and obtain Customer or Technical Support:

Visit [www.UproarRC.com](http://www.UproarRC.com) or call **1-866-340-3912**

If any parts or accessories are damaged or missing,  
do not return this product to the store. Call **1-866-340-3912** for immediate service.

Please obtain your model and serial number from the product data plate.

**This product is covered under a 1-year limited Warranty and 90-day satisfaction guarantee.  
Proof of purchase is required.**

MODEL NUMBER \_\_\_\_\_ SERIAL NUMBER \_\_\_\_\_

UPROAR is a trademark of Techtronic Power Tools Technology Limited.

Pour faire une demande de réparations ou obtenir des pièces de rechange, trouver un  
Centre de réparations agréé pour obtenir un soutien technique ou le Service à la clientèle :

Visite [www.UproarRC.com](http://www.UproarRC.com) ou téléphonant au **1-866-340-3912**

Si des pièces ou accessoires sont manquantes ou endommagées, ne pas retourner  
ce produit au magasin. Appeler immédiatement au **1-866-340-3912** pour obtenir de l'aide.

Inscrire les numéros de modèle et de série inscrits sur la plaque d'identification du produit.

**Ce produit est couvert par une garantie limitée de 1 an et d'une garantie de satisfaction de 90 jours.  
Une preuve d'achat est exigée.**

NUMÉRO DE MODÈLE \_\_\_\_\_ NUMÉRO DE SÉRIE \_\_\_\_\_

UPROAR est une marque de Techtronic Power Tools Technology Limited.

Para obtener servicio, comprar piezas de repuesto, localizar un centro de servicio autorizado  
y obtener Servicio o Asistencia Técnica al Consumidor:

Visite [www.UproarRC.com](http://www.UproarRC.com) o llame al **1-866-340-3912**

Si hay alguna pieza ou accesorios dañada o faltante, no devuelva este producto a la tienda.  
Llame al **1-866-340-3912** para servicio técnico inmediato.

Obtenga su modelo y número de serie de la placa de datos del producto.

**Este producto cuenta con una garantía limitada de 1 año y garantía de satisfacción de 90 días.  
Se solicita prueba de la compra.**

NÚMERO DE MODELO \_\_\_\_\_ NÚMERO DE SERIE \_\_\_\_\_

UPROAR es una marca de Techtronic Power Tools Technology Limited.

**ONE WORLD TECHNOLOGIES, INC.**

P.O. Box 1427, Anderson, SC 29622 • Phone 1-866-340-3912  
États-Unis, Téléphone 1-866-340-3912 • USA, Teléfono 1-866-340-3912

[www.UproarRC.com](http://www.UproarRC.com)