

**COMPANY:** Swann Communications

**TITE:** Wired camera part

**DRAWN:**

**DATED:**

**CHECKED:**

**DATED:**

**REV:** A1

**SIZE:**

**SHEET:** 1

6

5

4

3

2

1

D

D

C

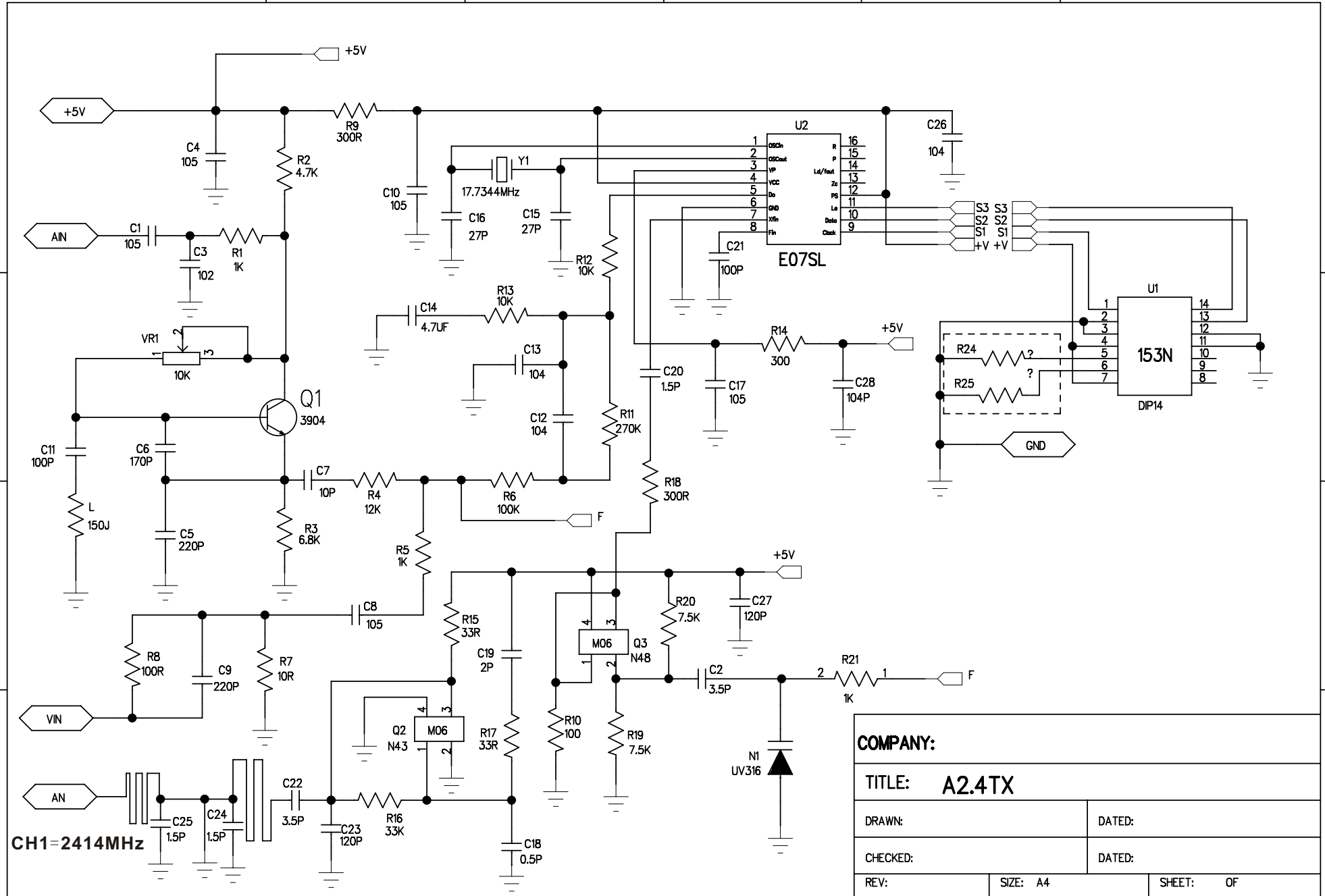
C

B

B

A

A



COMPANY:	
TITLE: A2.4TX	
DRAWN:	DATED:
CHECKED:	DATED:
REV:	SIZE: A4
SHEET: OF	

CH1=2414MHz