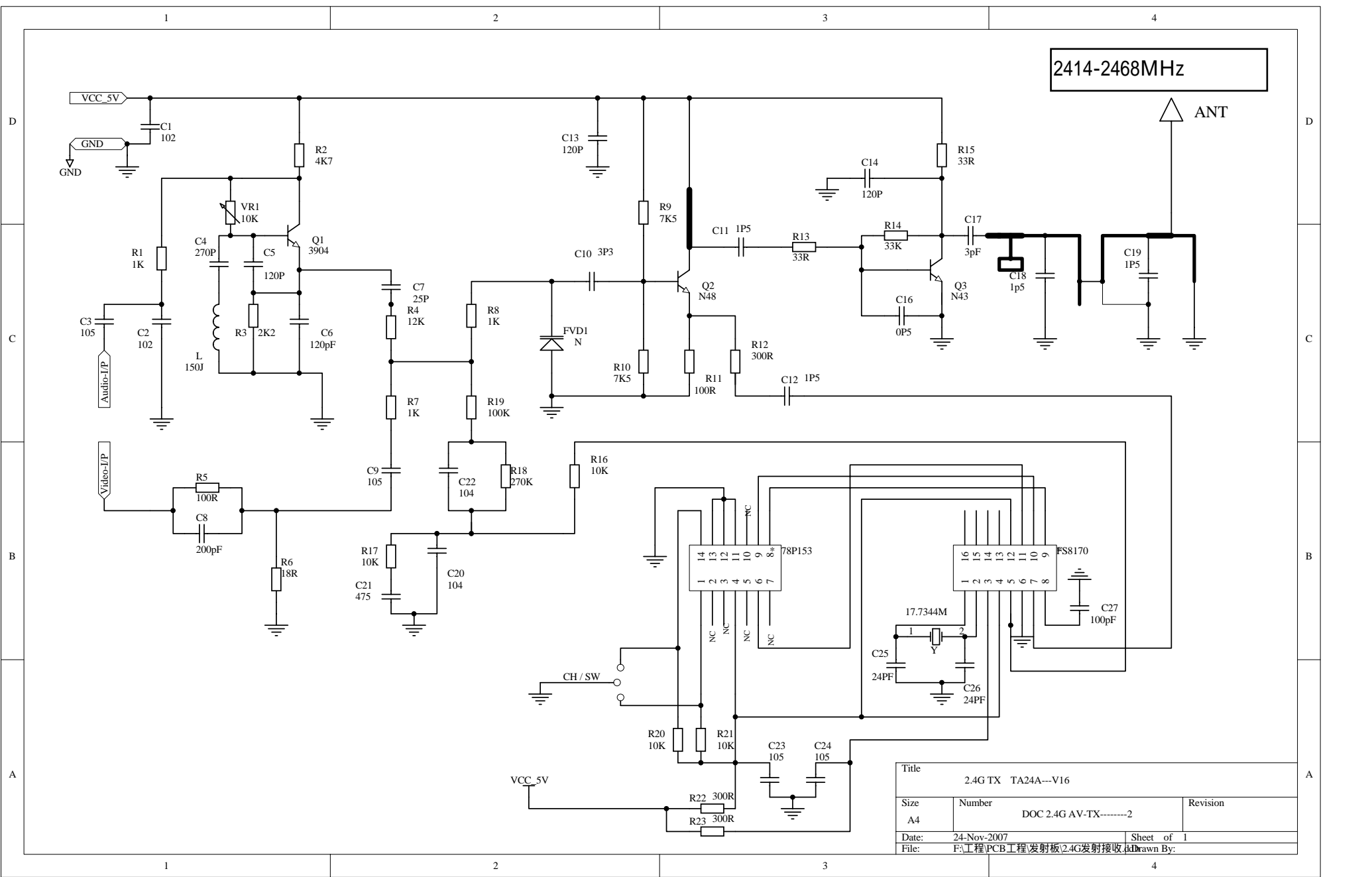


2414-2468MHz

ANT



Title		
2.4G TX TA24A--V16		
Size	Number	Revision
A4	DOC 2.4G AV-TX-----2	
Date:	24-Nov-2007	Sheet of 1
File:	F:\工程\PCB工程\发射板\2.4G发射接收板.dwg Drawn By:	

