

COMPANY: Swann Communications			
TITE: Wired camera part			
DRAWN:		DATED:	
CHECKED:		DATED:	
REV: A1	SIZE:	SHEET: 1	

6

5

4

3

2

1

D

D

C

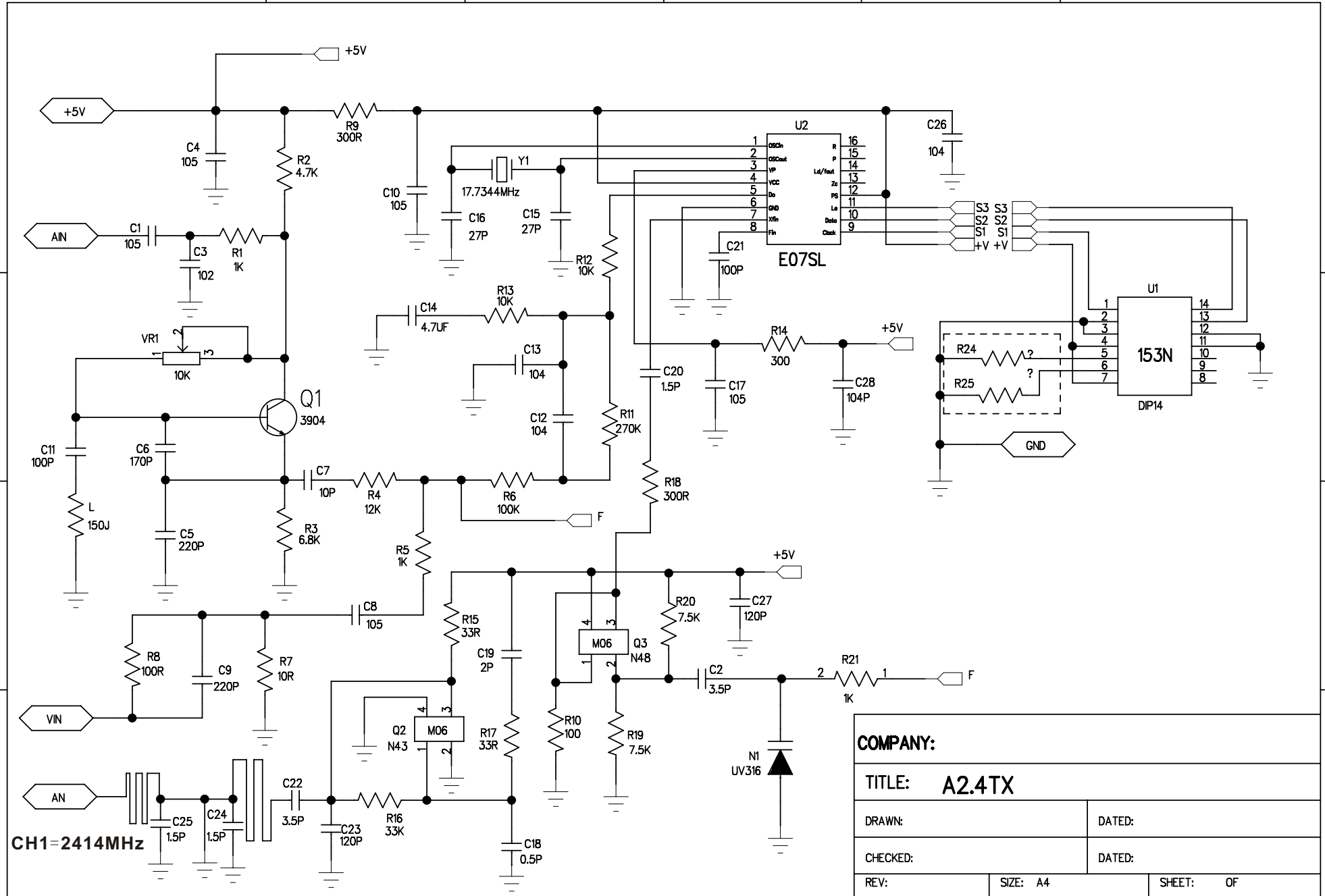
C

B

B

A

A



COMPANY:	
TITLE: A2.4TX	
DRAWN:	DATED:
CHECKED:	DATED:
REV:	SIZE: A4
SHEET: OF	