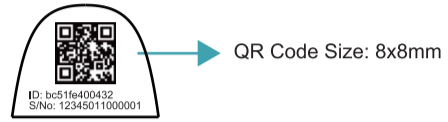
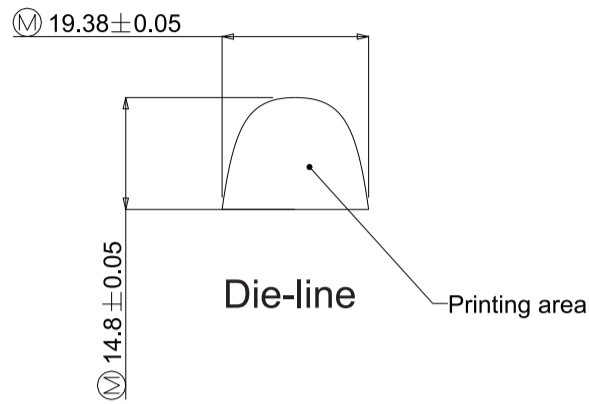


| REV. SYMBOL | DATE | DESCRIPTION | SIGN | APPROVED |
|-------------|------|-------------|------|----------|
| A | | | | |
| B | | | | |



Serial Number Format(工廠打印)

XXXXXMMYYZZZZ

XXXXX = PO number

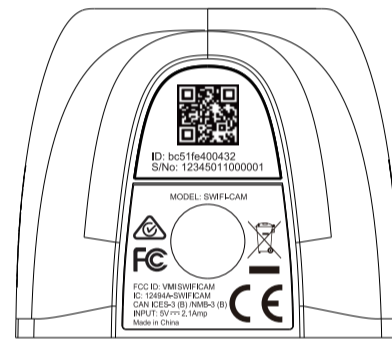
MMYY = Date of manufacture(month/year)

ZZZZ = 生產流水號

Notes:

1. Material: 50 ounce White PET Label(50 ounce合成貼紙)
2. Print Color: Black
3. Size:14.8(L) x 19.38(W) mm
4. Finish: Matte P(霧P)
5. Glue: Permanent glue
6. Tolerance: +0.1/-0.1mm
7. Unit:mm

Label Position



| | | | | | |
|------------------------------|---------|---------------------------|----------------------|----------|---|
| MODEL NO. DC-1819 | | PART NO. 2530A1819L-B01FX | | REMARK: | |
| CHICONY ELECTRONICS Co., LTD | | | MATERIAL: see notes | | MODEL NAME: |
| APPROVED | CHECKED | DESIGNED | TOLERANCE: see notes | | DC-1819 (SWANN_BATTERY CAM) |
| | | Teresa | Q'TY: | | PART NAME: |
| | | 2019/05/29 | SCALE: 1/1 | UNIT: mm | MAC.SN LABEL, FOR CAMARA, SWANN_BATTERY CAM |
| | | | | DWG NO.: | REV. |