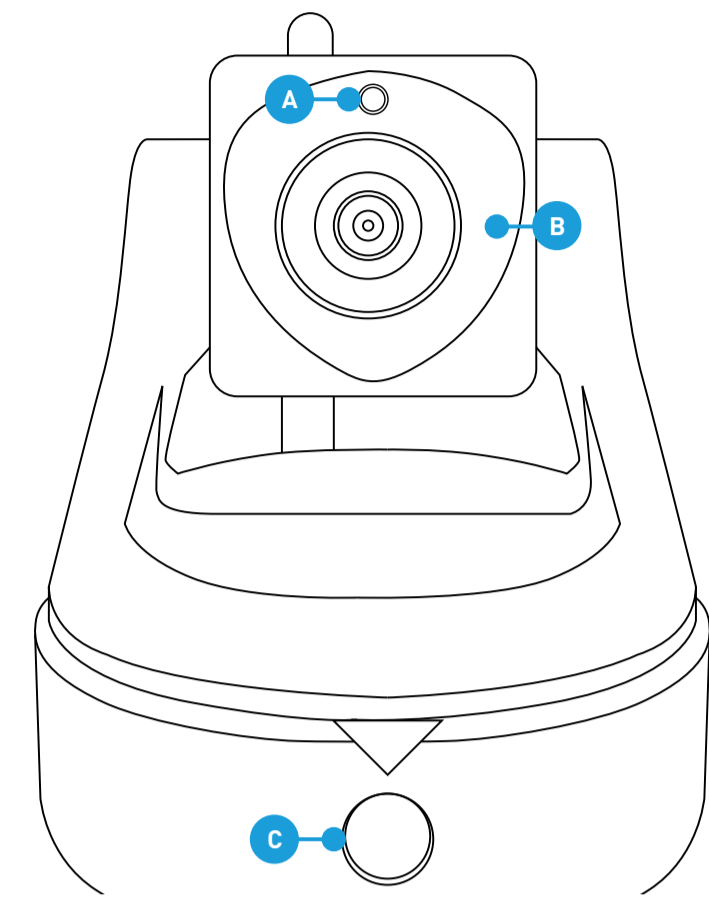


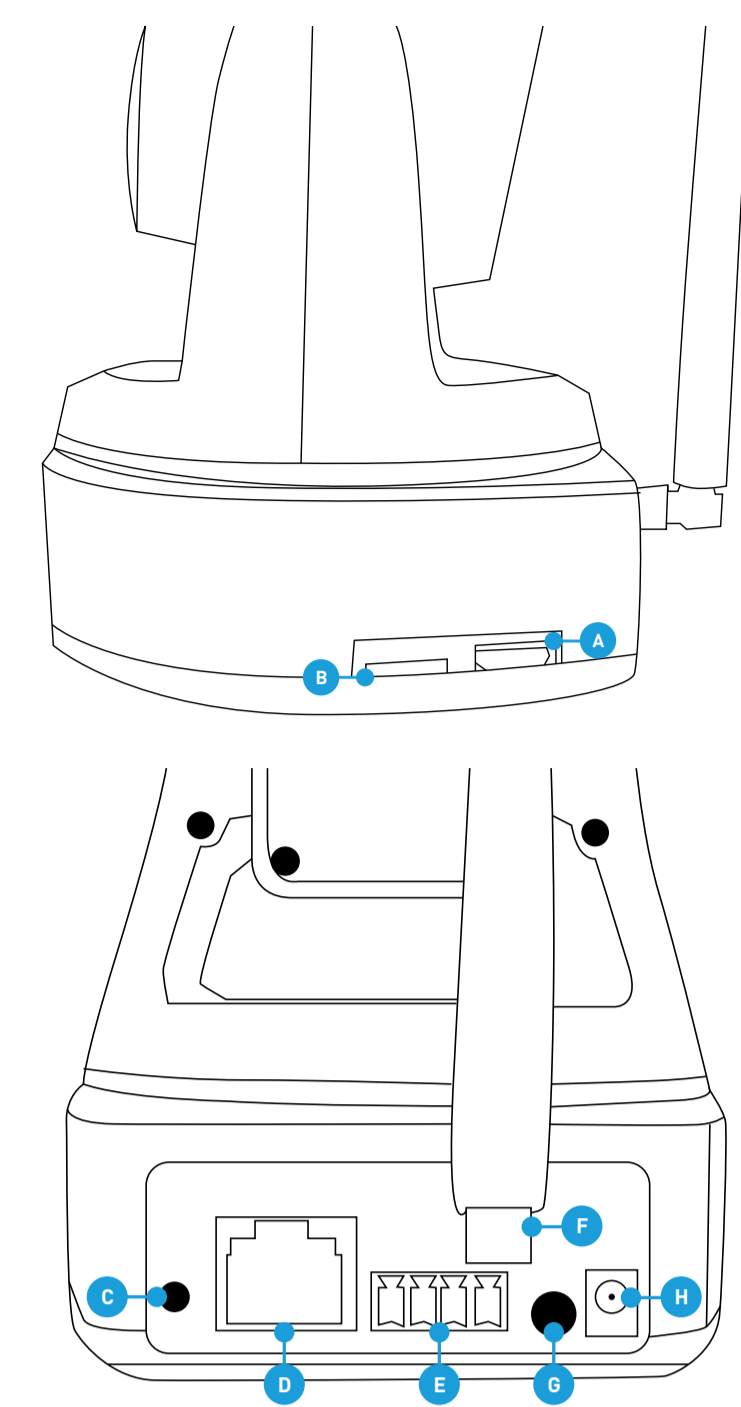
# A Getting to know your Camera (ADS-446) EN

Congratulations on the purchase of your SwannCloud camera. This quick start guide will assist you on getting your camera up and running as soon as possible. We recommend that you connect everything and give it a try before you do a permanent installation, to make sure nothing was damaged during shipping.



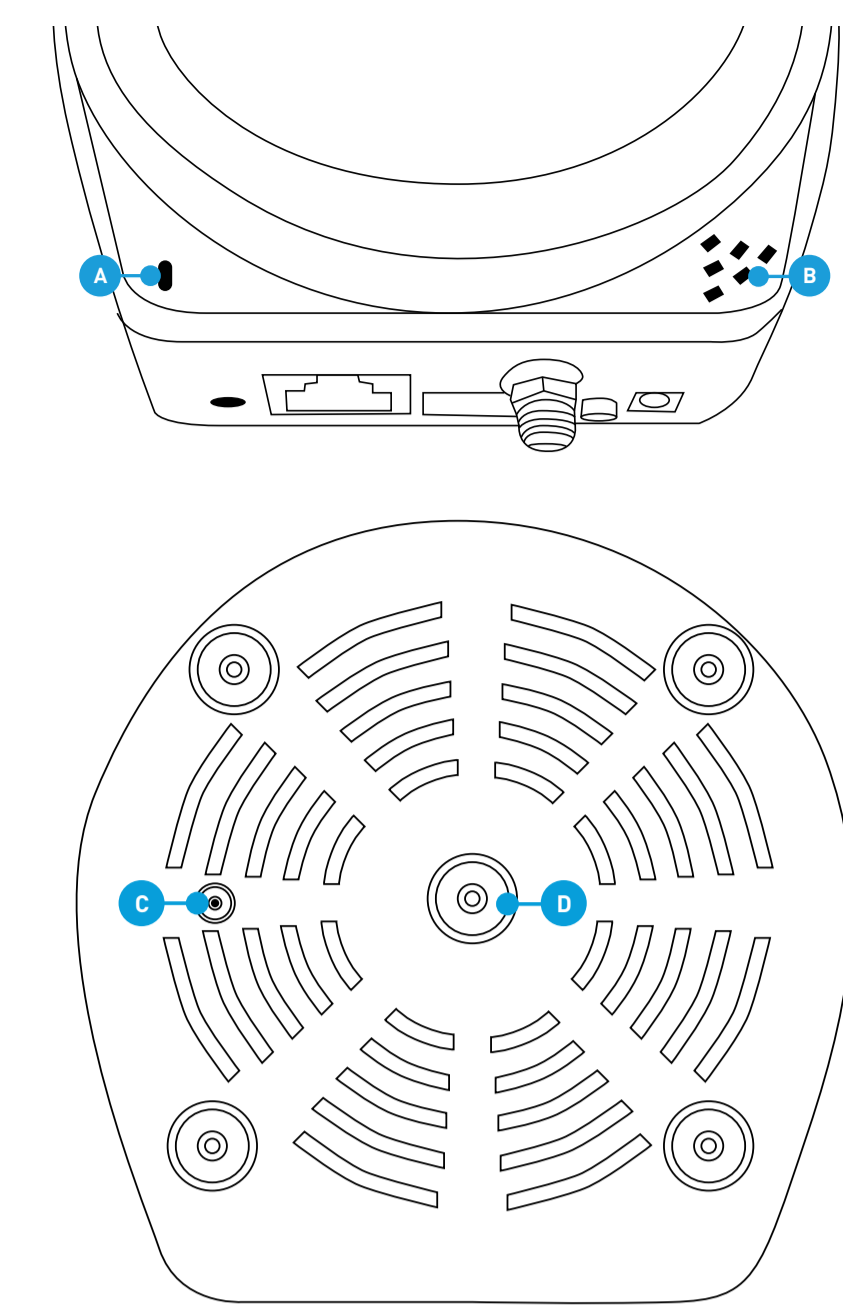
- A) Light Sensor** - Detects the amount of light available and turns on the IR LEDs when necessary.
- B) IR (Infrared) LEDs** - The camera will use these in low-light conditions to generate a black and white image, even in total darkness.
- C) PIR (Passive infrared) Sensor** - This is an electronic sensor that measures infrared light radiating from objects in its field of view.

1



- A) Micro-SD Card Slot** - Inserting a Micro-SD card allows you to capture a series of snapshots and video files directly to the card, as well as setting an alarm schedule so it records when it has detected motion. This is optional and is recommended for advanced users only.
- B) Mini HDMI** - Connect a mini HDMI cable so you can see the live view image on your HDTV.
- C) WPS Button** - When pressed and held for 3-5 seconds, allows for wirelessly connecting to a WPS enabled router.
- D) RJ45 (Ethernet)** - For a wired connection, connect this to a spare port on your router.
- E) Alarm I/O Block** - For connecting external alarms and sensors.
- F) Wi-Fi Antenna** - The included Wi-Fi antenna connects here.
- G) Audio Out** - This feature has not been enabled but it may in future updates.
- H) Power Socket** - Connect the power adapter here.

2

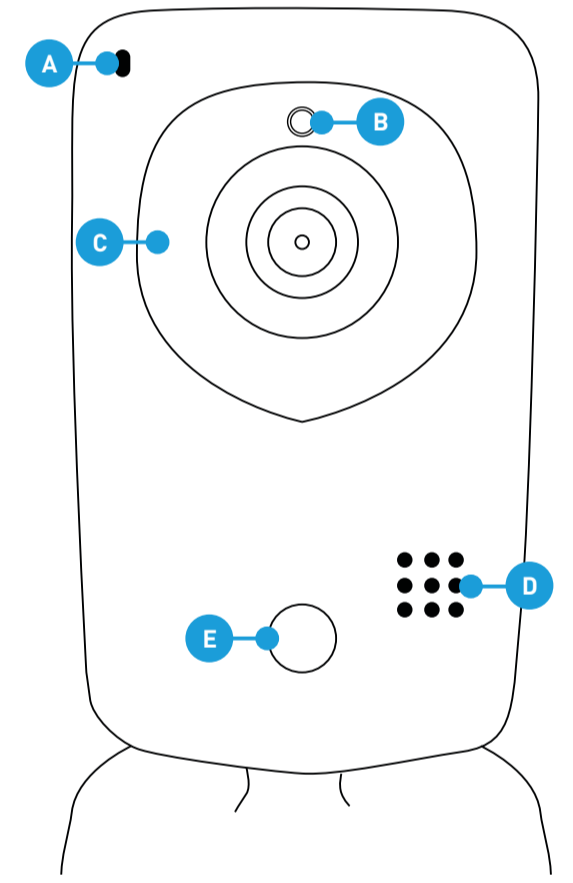


- A) Microphone** - Allows the camera to hear nearby sounds and stream them with the video.
- B) Speaker** - The various alerts and alarms will be heard from here.
- C) Reset** - When pressed and held for more than 10 seconds when the power is disconnected and reconnected, all settings will revert to the factory defaults.
- D) Bracket Mount** - The provided mounting bracket connects here.

3

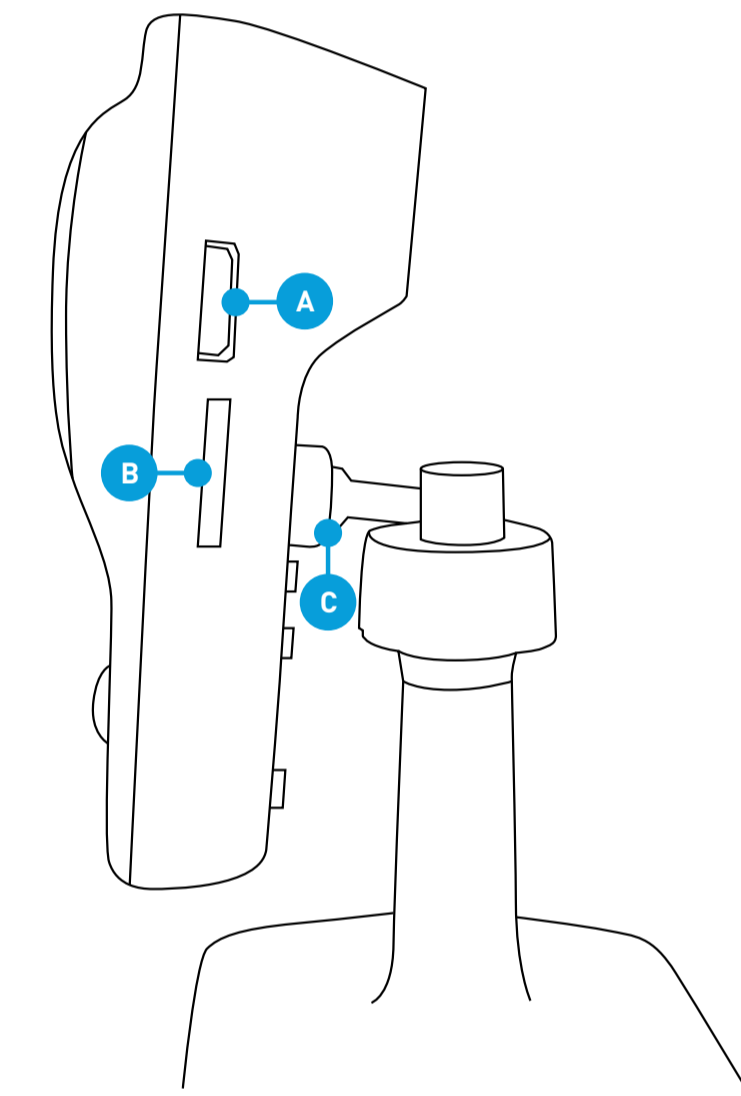
# B Getting to know your Camera (ADS-456)

Congratulations on the purchase of your SwannCloud camera. This quick start guide will assist you on getting your camera up and running as soon as possible. We recommend that you connect everything and give it a try before you do a permanent installation, to make sure nothing was damaged during shipping.



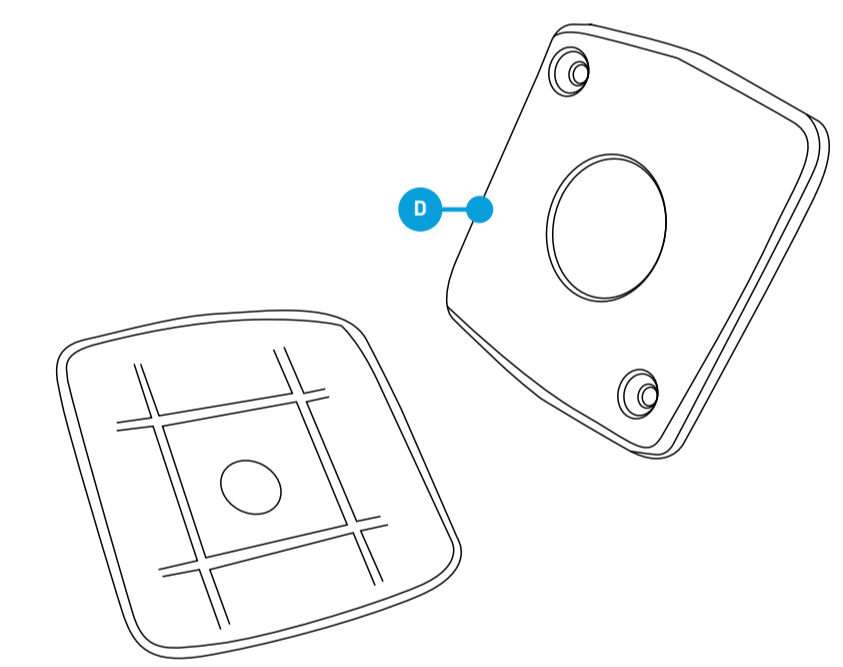
- A) Microphone** - Allows the camera to hear nearby sounds and stream them with the video.
- B) Light Sensor** - Detects the amount of light available and turns on the IR LEDs when necessary.
- C) IR (Infrared) LEDs** - The camera will use these in low-light conditions to generate a black and white image, even in total darkness.
- D) Speaker** - The various alerts and alarms will be heard from here.
- E) PIR (Passive infrared) Sensor** - This is an electronic sensor that measures infrared light radiating from objects in its field of view.

4

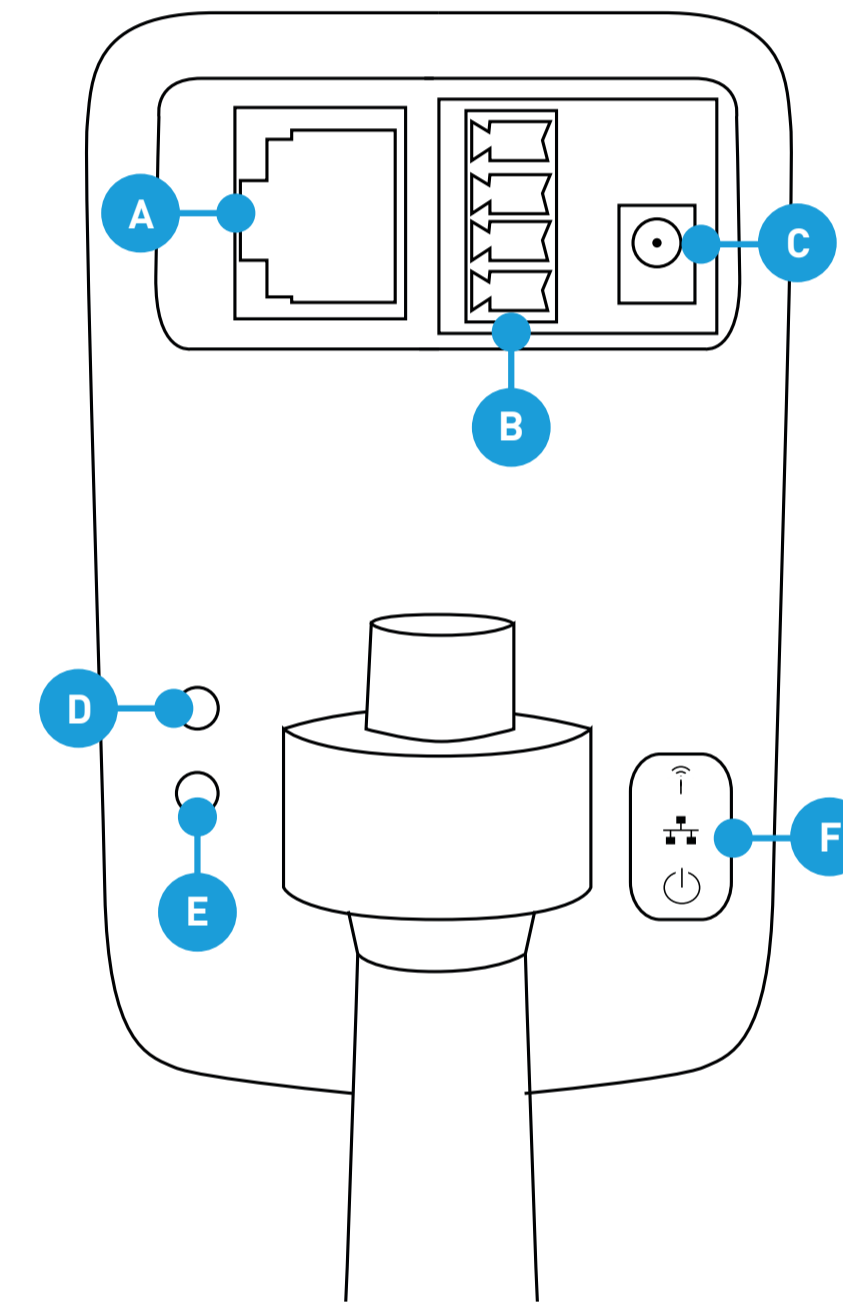


- A) Micro-SD Card Slot** - Inserting a Micro-SD card allows you to capture a series of snapshots and video files directly to the card, as well as setting an alarm schedule so it records when it has detected motion. This is optional and is recommended for advanced users only.
- B) Mini HDMI** - Connect a mini HDMI cable so you can see the live view image on your HDTV.
- C) Bracket Mount** - The provided camera stand connects here.

5



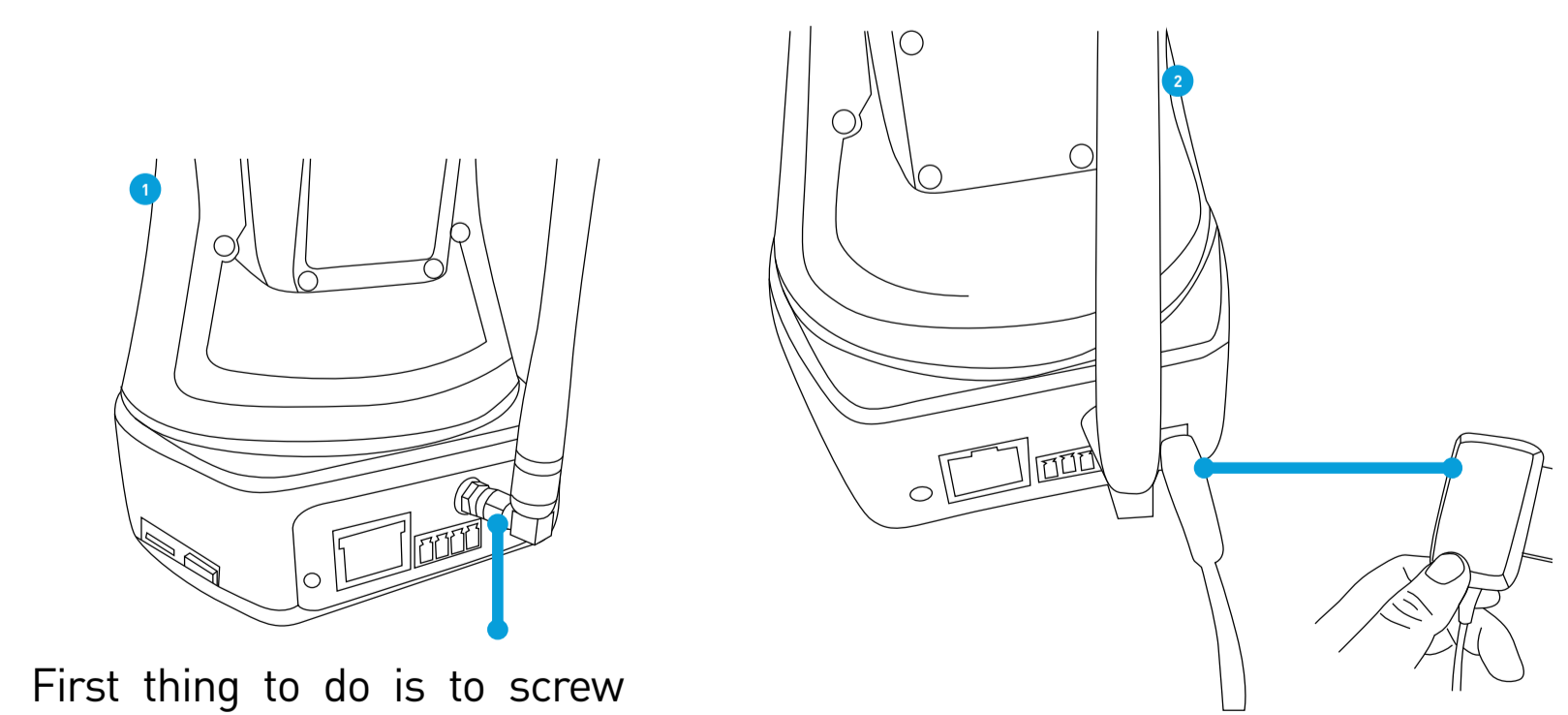
**D) Mounting Plate** - Underneath the camera stand is a mounting plate. You can use this to mount the camera to a wall or ceiling.



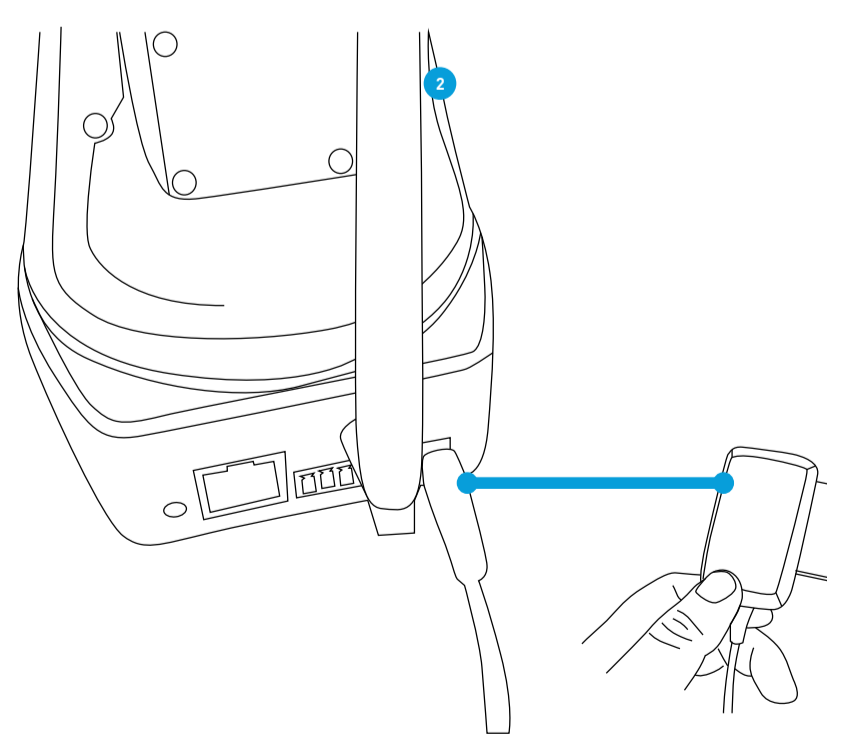
- A) RJ45 (Ethernet)** - For a wired connection, connect this to a spare port on your router.
- B) Alarm I/O Block** - For connecting external alarms and sensors.
- C) Power Socket** - Connect the power adapter here.
- D) Reset** - When pressed and held when the power is disconnected and reconnected, all settings will revert to the factory defaults.
- E) WPS Button** - When pressed and held for 3-5 seconds allows for wirelessly connecting to a WPS enabled router.
- F) The LEDs are described from top to bottom -**  
**Wi-Fi LED** - This LED will light up when the camera is connected to your Wi-Fi network.  
**LAN LED** - This LED will light up when the camera is connected to your network using the Ethernet cable.  
**Power LED** - This LED indicates that the camera is turned on.

6

# C Connecting the Camera (ADS-446)



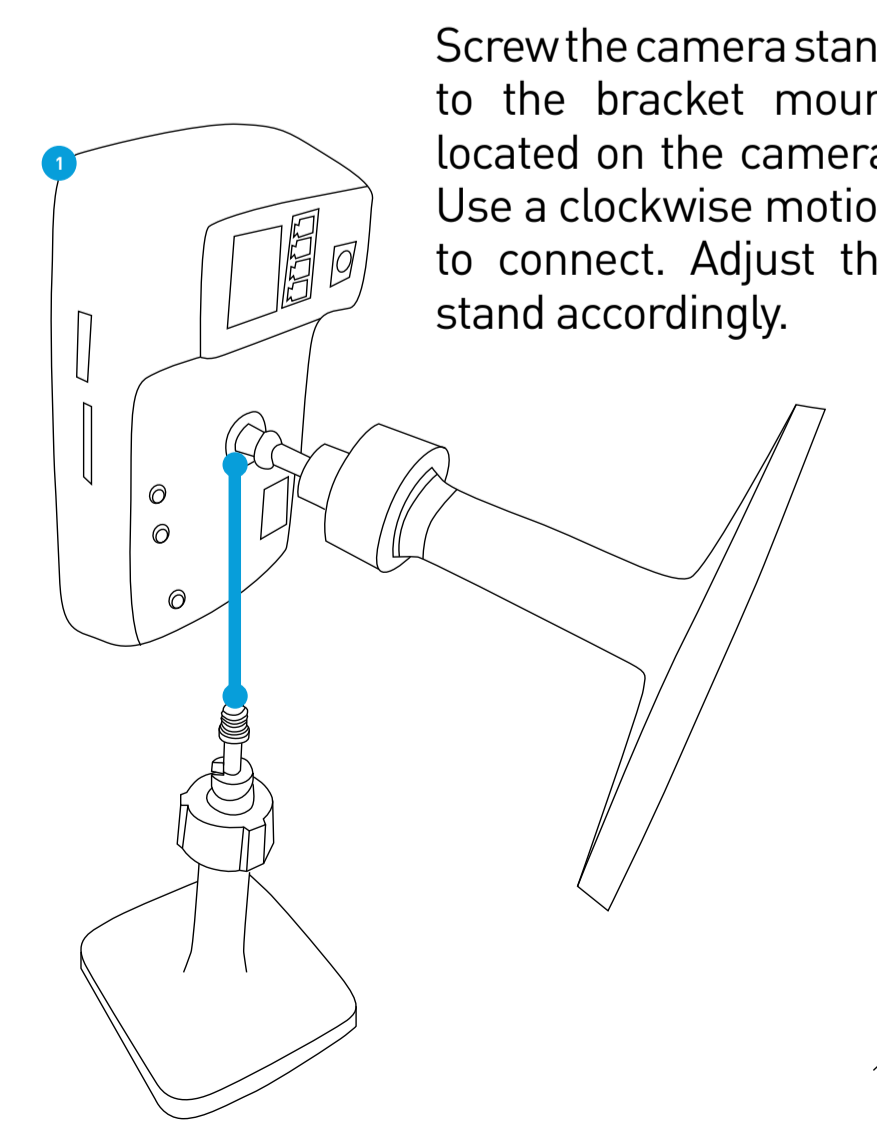
First thing to do is to screw the provided Wi-Fi antenna into the antenna socket located on the camera. Use a clockwise motion to connect. It is recommended to leave the antenna in a vertical position for best reception.



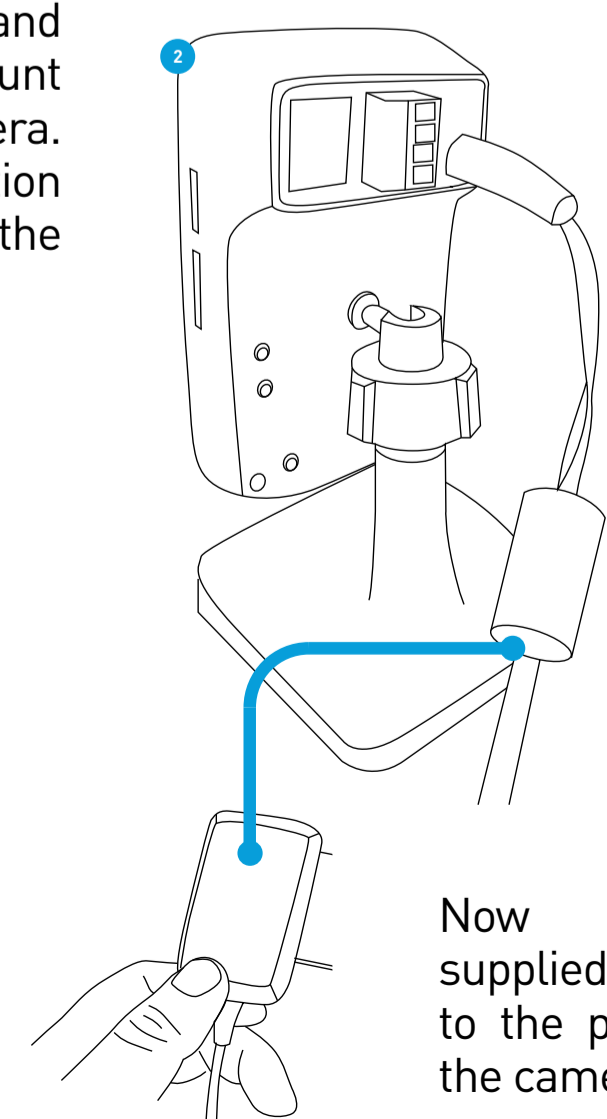
Now connect the supplied power adapter to the power input on the camera.

7

# D Connecting the Camera (ADS-456)



Screw the camera stand to the bracket mount located on the camera. Use a clockwise motion to connect. Adjust the stand accordingly.

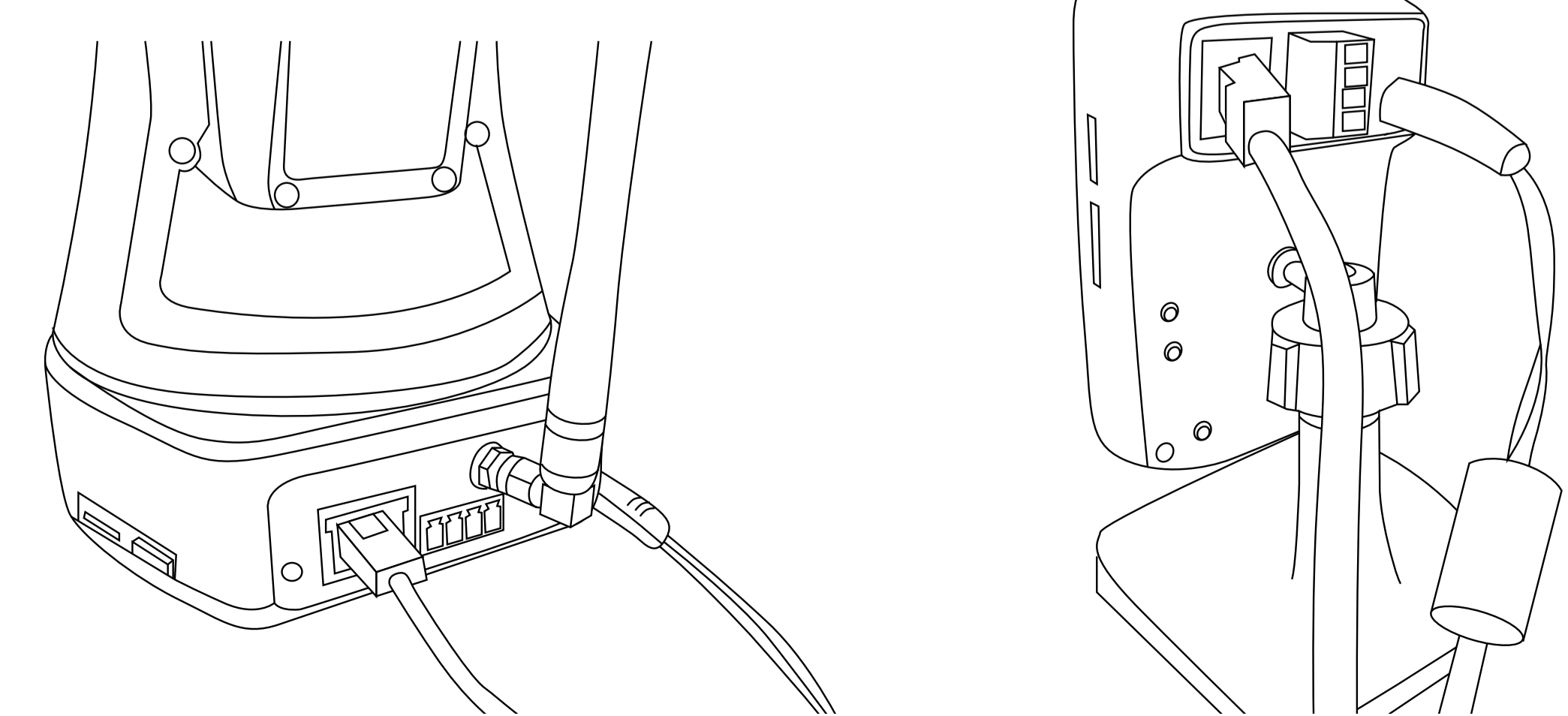


Now connect the supplied power adapter to the power input on the camera.

8

# E Network LAN Connection (optional)

Even though both models primarily connect to your home network wirelessly, they can also connect to your router using the supplied LAN cable. The main advantage of a LAN connection is that you don't get disconnections or dropouts as you would with a wireless connection.



9



# A

## The SwannCloud Mobile App

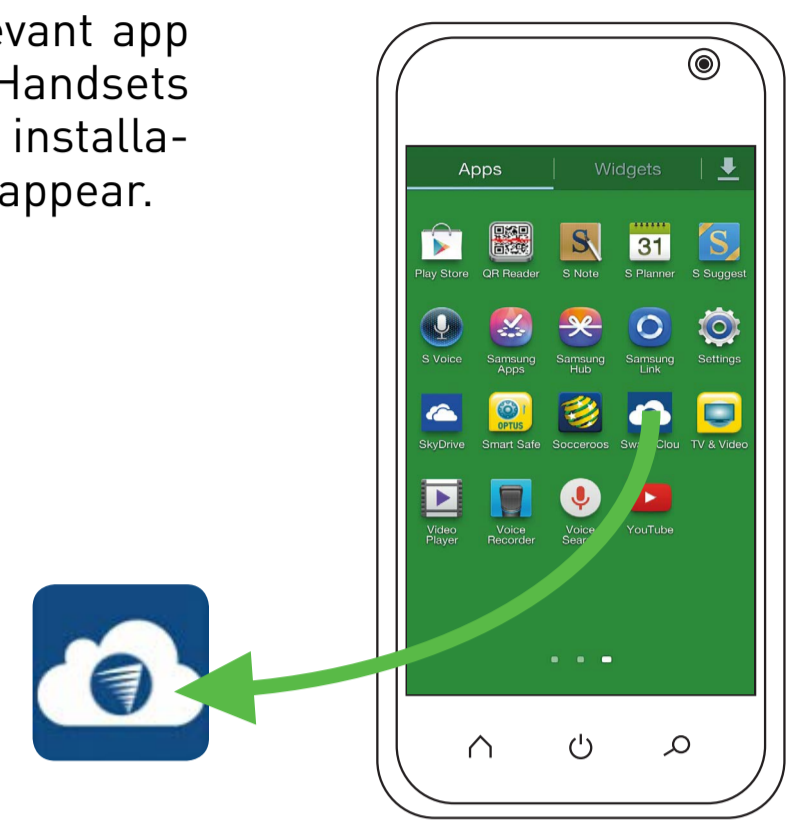


**Have a Smartphone or Tablet?** With the free SwannCloud app, you can turn your iOS or Android mobile device into a monitoring centre for your camera. Have the peace of mind that you can monitor your home at any time from any place. With "SwannLink" Peer to Peer technology, connecting your mobile device to your camera is so easy - there's no need to fiddle around with complicated network configurations. Best of all, it only takes minutes to get it up and running!

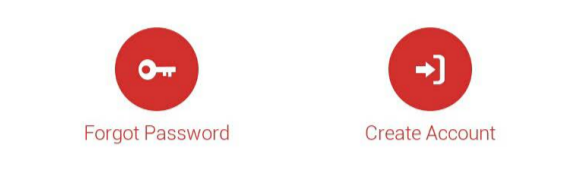
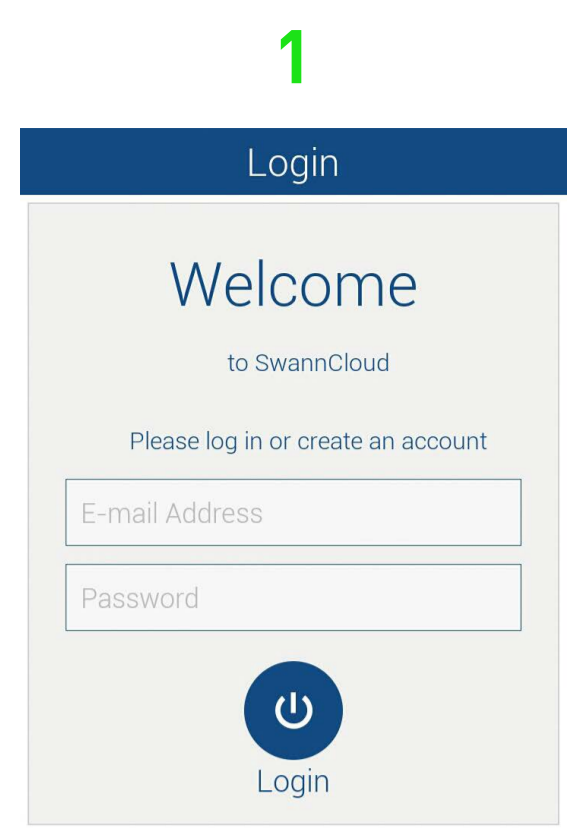
To download the SwannCloud app, go to your relevant app store and type in the following - "**SwannCloud**" for Handsets and Tablets. Follow the on-screen instructions for installation and accept any license requirements that may appear.

After downloading and installing SwannCloud onto your Handset or Tablet, locate the app and tap the icon to run.

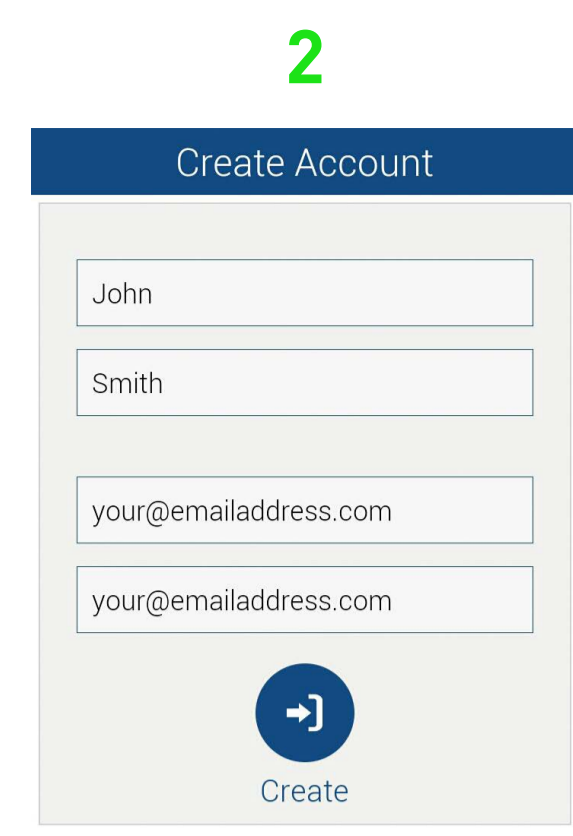
The screenshots used on this page are from the Android version of SwannCloud. The functions, buttons and overall look and feel are identical for the iOS version. The app is continually being tweaked and improved, so the following screenshots may differ slightly.



10

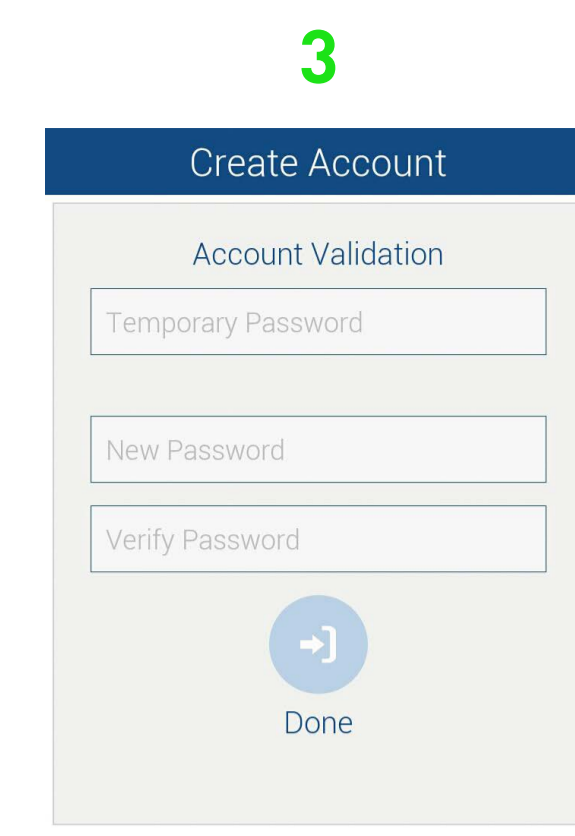


Tap "Create Account" to create a new account.



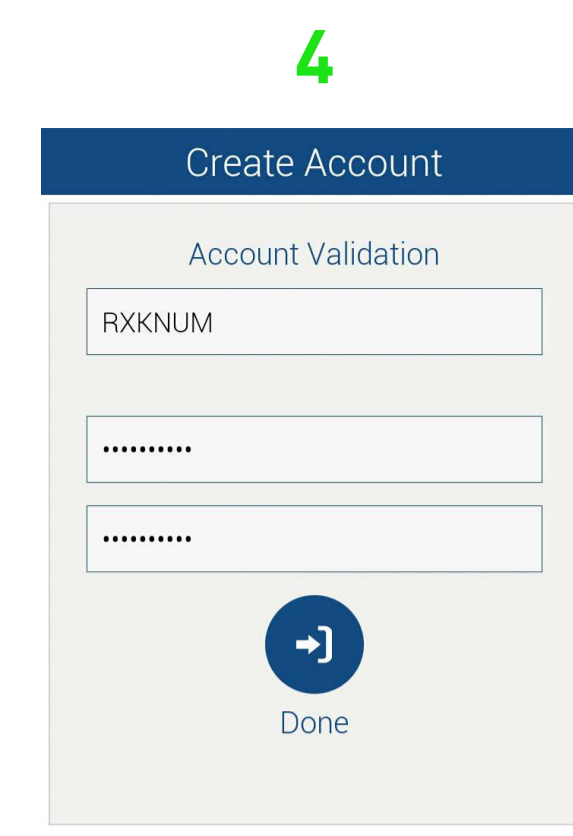
Temporary Password will be Emailed within 5 minutes

Input your first name, surname and email address. Tap "Create" to send a temporary password to your email address.



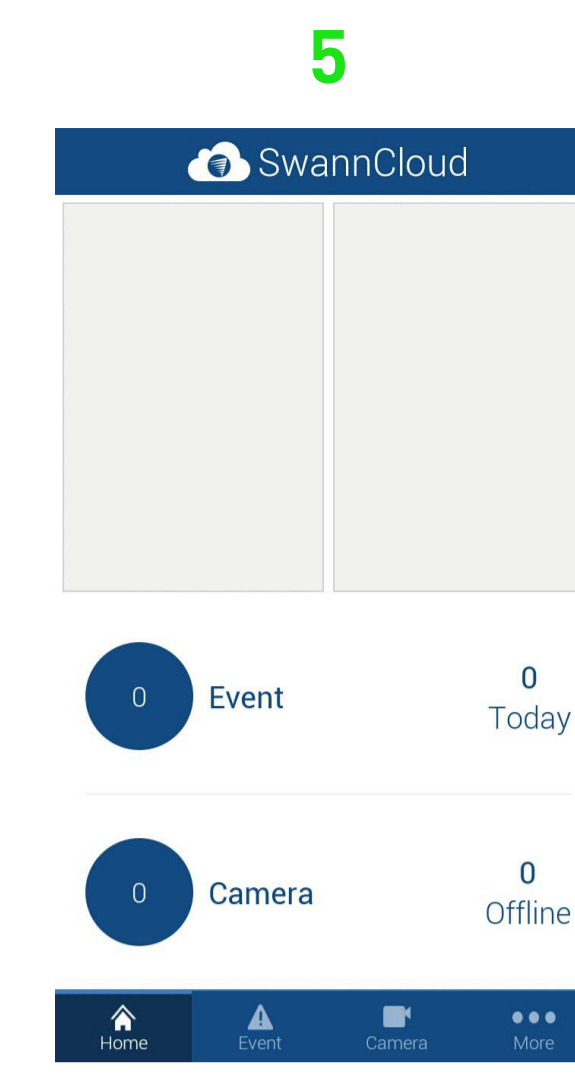
If temporary password was not received within 5 minutes, please verify e-mail address and check spam folder.

Check your email, you should have received your temporary password.

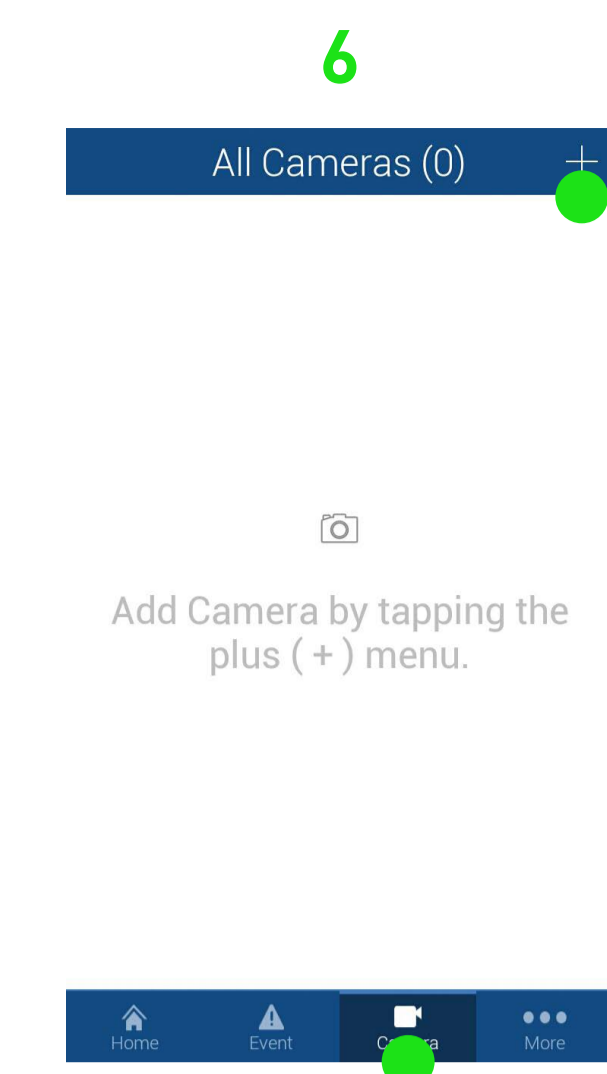


If temporary password was not received within 5 minutes, please verify e-mail address and check spam folder.

Input the temporary password (which is case sensitive), input a new password and again to confirm, then tap "Done".

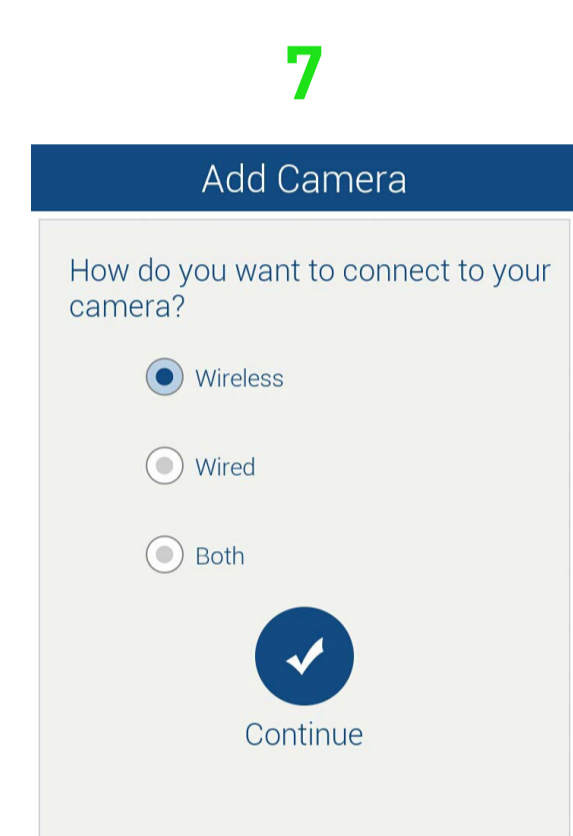


After a short moment, your account will be created.

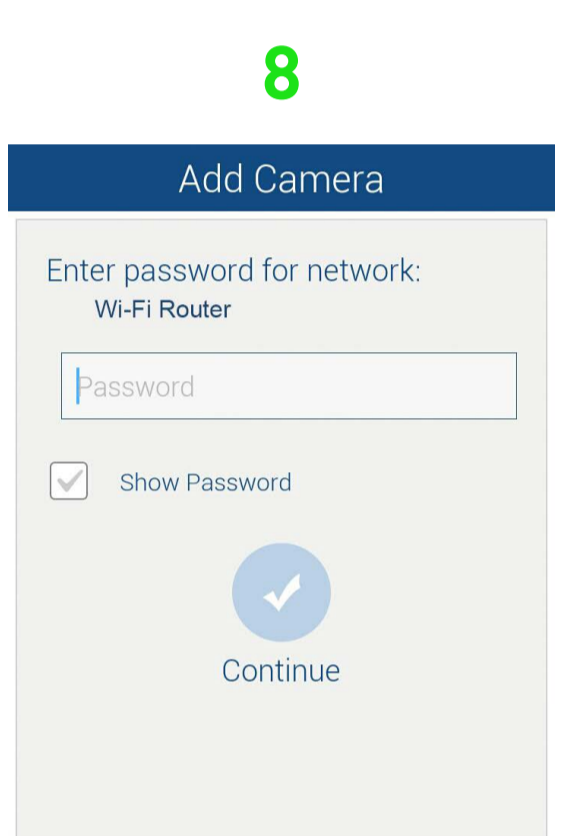


Tap "Camera" then tap "+" to add your camera.

12



Select how you would like to have the camera connected. If you select "Wired", you will be taken directly to the QR code (step 9). If you select "Wireless" or "Both", you will be requested to input the password for your Wi-Fi network. Tap "Continue".



Place QR code 4"-6" in front of the camera.

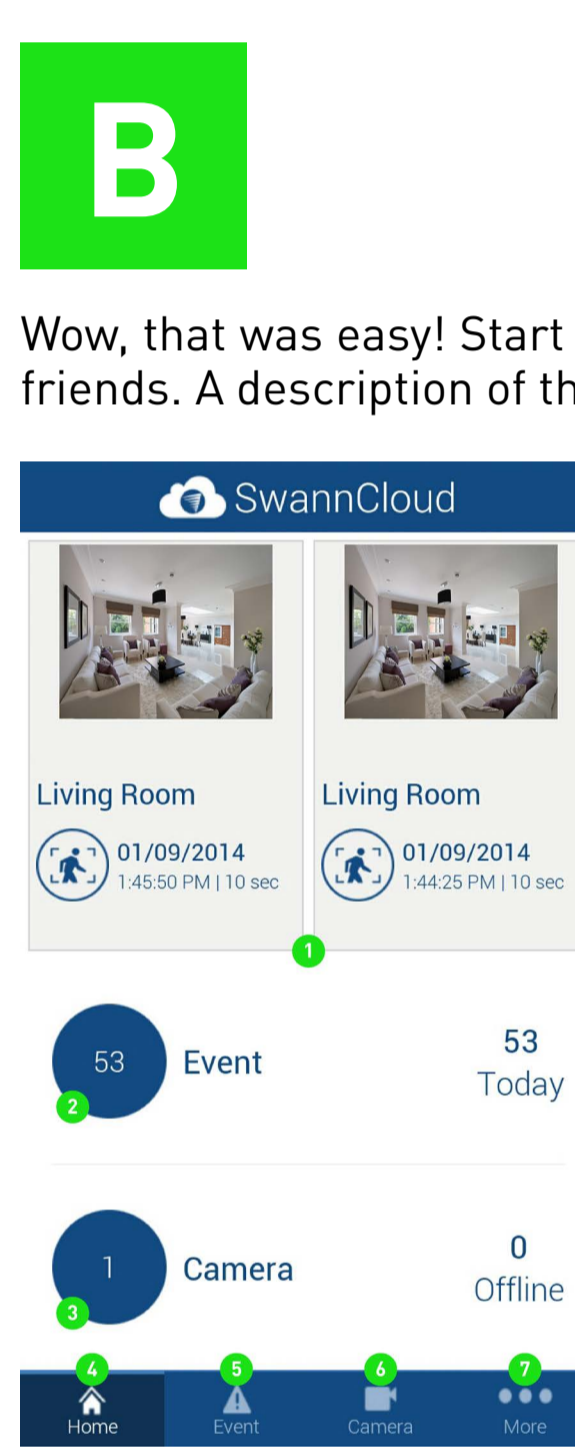
Input the password for your Wi-Fi network then tap "Continue". A QR code will appear, this contains all the network settings.



tap "done" once your camera LED rapidly blinks.

Hold your mobile device towards the camera lens to scan the QR code. When you hear a short beep, tap "Done" to finish.

13



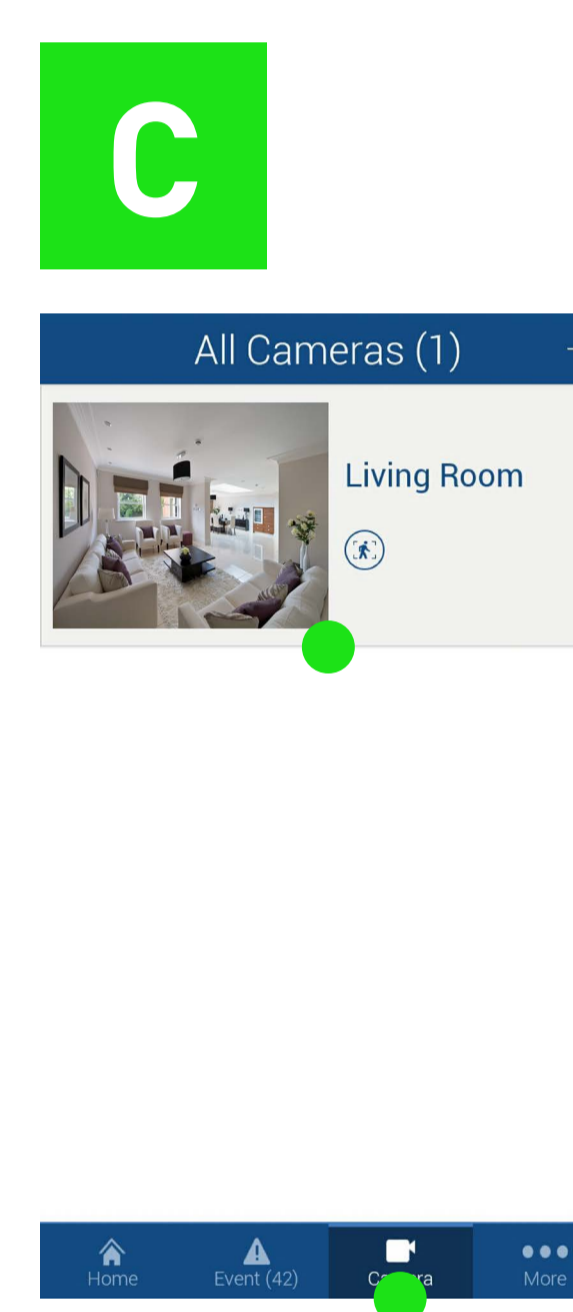
Wow, that was easy! Start getting yourself familiar with the controls and impress your family and friends. A description of the various buttons and functions can be found below.

## Using SwannCloud

- SwannCloud will always display the last two events that have occurred on the home screen.
- This displays how many events have occurred in total and for the day. Events occur whenever motion or an intrusion has occurred. Tap this to go to events.
- This displays the amount of cameras that have been registered to your account. It also displays if a camera is offline.
- Tap this to go to the camera list.
- Tap this to access the event screen. Each event is recorded as a 10 second video file.
- Tap this to access the camera list. Tap a camera to view a live stream.
- Tap this to access your profile, to log out of the app, to access the user manual and to contact Swann Help Desk.

The PTZ function requires a PTZ camera to be connected. Use the volume buttons on your mobile device to increase or decrease the volume level.

14



## Viewing your Camera

To view a live stream from your camera, tap the "Camera" button then tap the name of the camera.

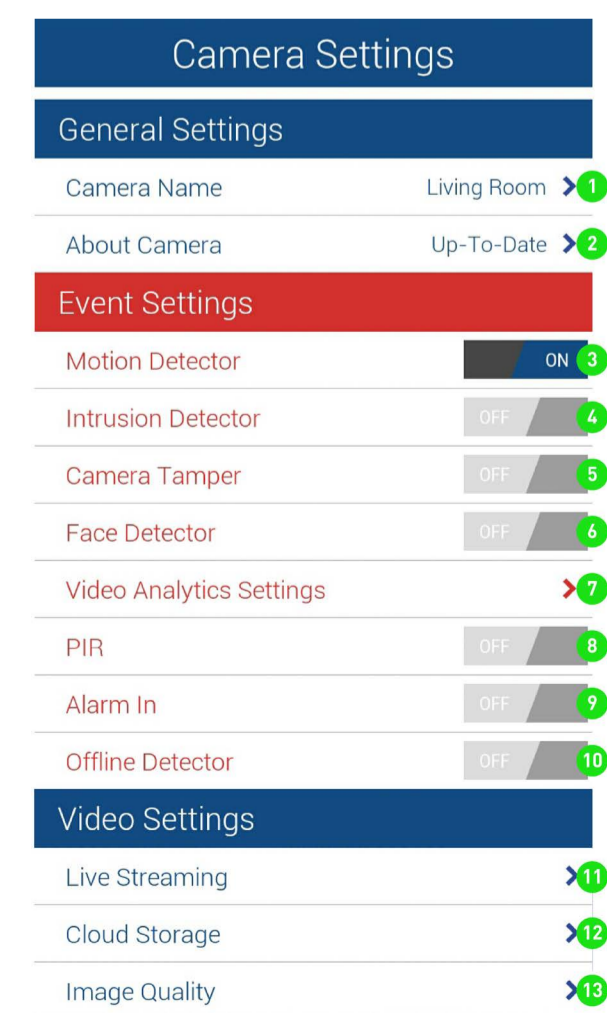
- Tap this to enter camera settings. This will be covered in greater detail in the user manual that is available on our web site ([www.swann.com.au](http://www.swann.com.au)).
- Tap this to turn night vision on or off or to leave it on auto.
- Tap this to control a pan & tilt camera (only available on the ADS-446 model).
- Tap this to take a snapshot of the live video stream. Snapshots are stored locally on your mobile device.

To view a full image of the video stream, tilt your mobile device horizontally.

15

# D

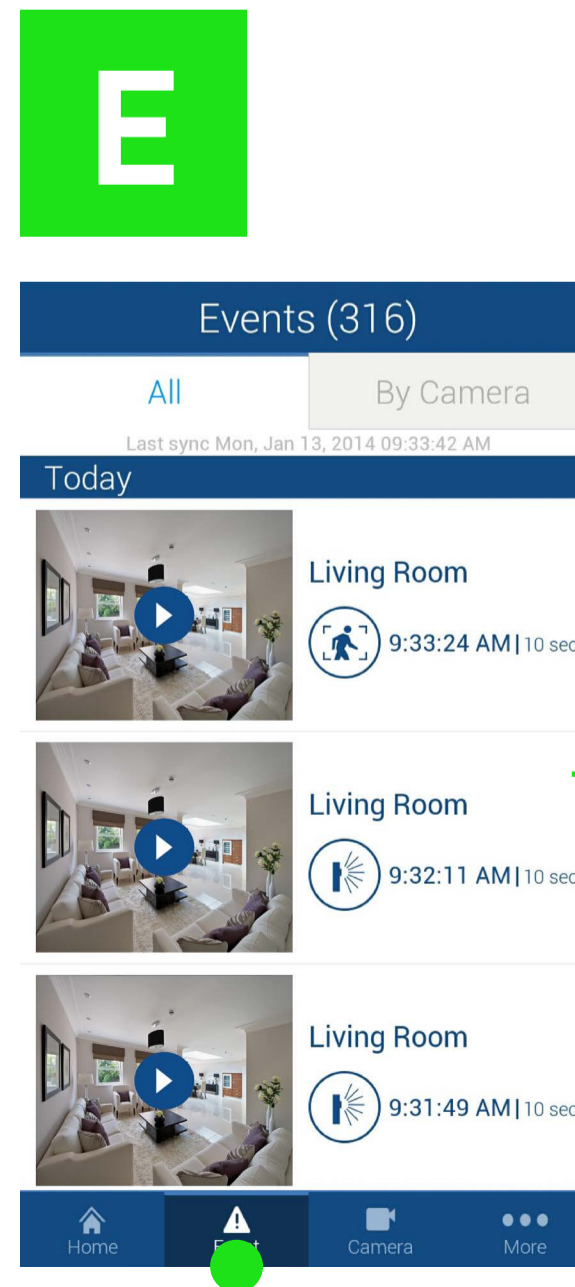
## Camera Settings



- Tap this to give the camera a relevant name.
- If there is an update available, you will be notified when you start the app.
- Motion detection will be enabled by default.
- Slide this to the ON position to enable intrusion detection.
- Slide this to the ON position to enable camera tampering.
- Slide this to the ON position to enable face detection.
- Tap this to change settings for sensitivity, to change the motion detection area, and to set the intrusion direction.
- Tap this to enable the PIR sensor on the camera.
- Slide this to the ON position if you are connecting an alarm to the camera.
- Slide this to the ON position if you would like the app to alert you if the camera is no longer being detected.
- Tap this to change video settings for live view. Adjusting the frame rate and bit rate may help if you're having problems when viewing a live stream.
- Tap this to change video settings for cloud storage. All events are saved to the cloud and not on your mobile device.
- Tap this to adjust brightness, contrast, sharpness and saturation.

Please have a look at the user manual for more information.

16



## Viewing Events

To view an event that has occurred, tap the "Event" button. All events that have occurred to date will appear. Scroll up or down to find the event that you would like to play. When you have selected an event, it will automatically play. To select a different event tap the "Home" button then tap the "Event" button again.

- Tap this to pause playback. Tap again to resume playback.
- Tap to mark this particular event. Marking an event will prevent it from being deleted. A red pin icon will appear on events that are marked.
- Tap this to delete the event.
- Tap this to share the event with other apps on your device, e.g. email or saving to a new location.
- Tap this to view a live stream from the camera.

The event icons represent the type of event that has occurred.

Each event that occurs is 10 seconds long. This is the maximum length.

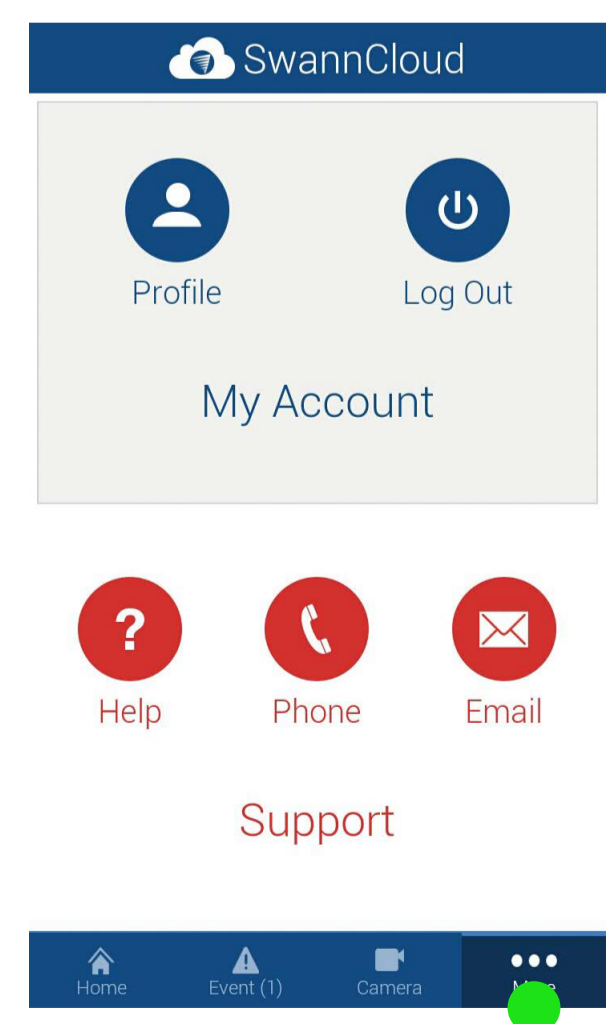
17

### Status Icons

- This icon represents that an intrusion has occurred.
- This icon represents someone has tampered with the camera.
- This icon represents an alarm event has occurred.
- This icon represents motion detected by the PIR sensor.
- This icon represents that facial detection has occurred.
- This icon represents that the camera is offline.
- This pin icon will appear on events that have been marked.
- This icon represents that motion detection has occurred.

To playback an event full screen, tilt your mobile device horizontally. Events that haven't been played will be displayed in bold on the events list.

### My Account



Tap "More" to access your profile. You can update your account name, change password or logout of the app. You can also access the user manual and contact Swann Help Desk.

18