

6

5

4

3

2

1

D

D

C

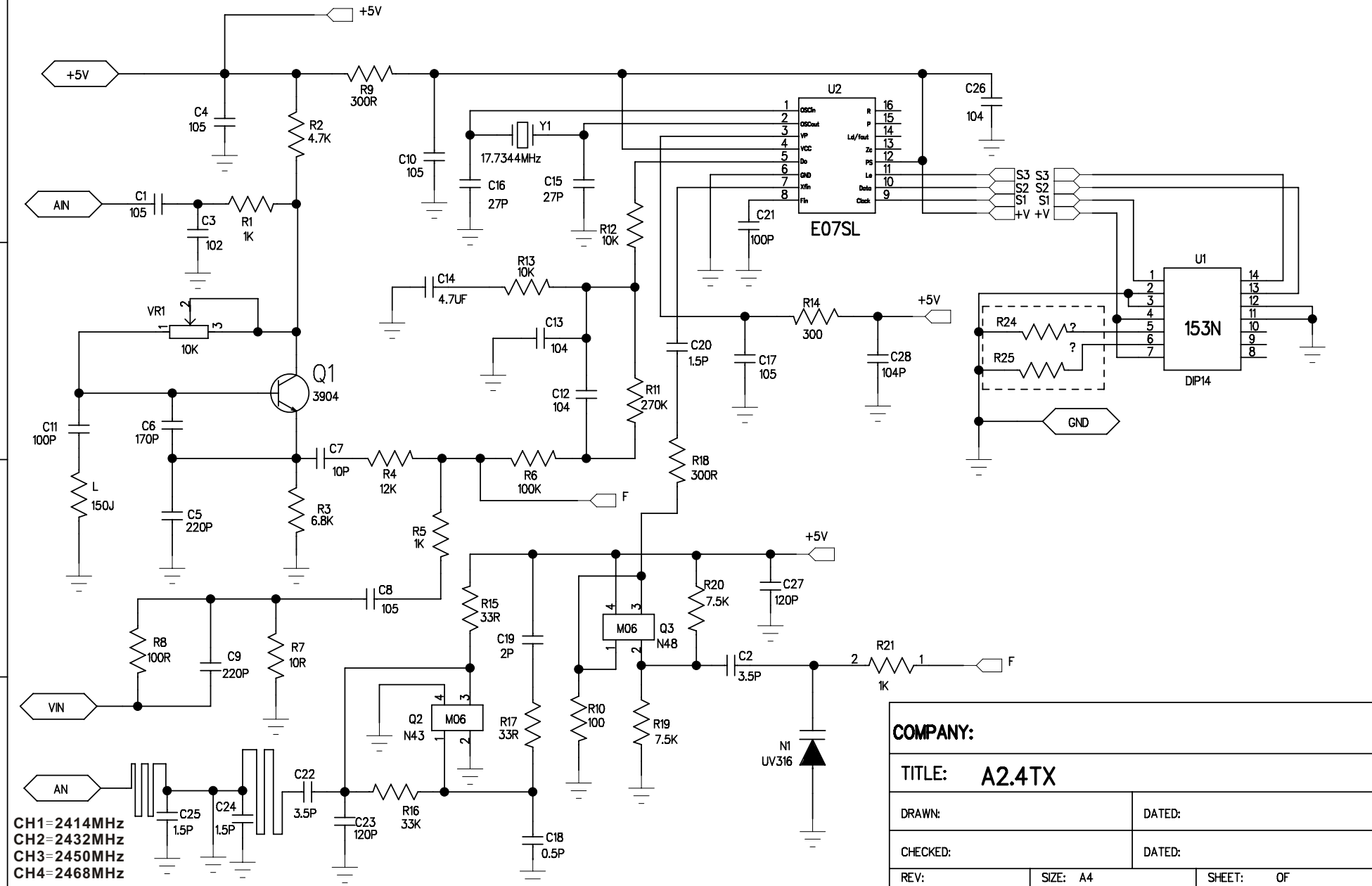
C

B

B

A

A



COMPANY:

TITLE: A2.4TX

DRAWN:

DATED:

CHECKED:

DATED:

REV:

SIZE: A4

SHEET: OF

6

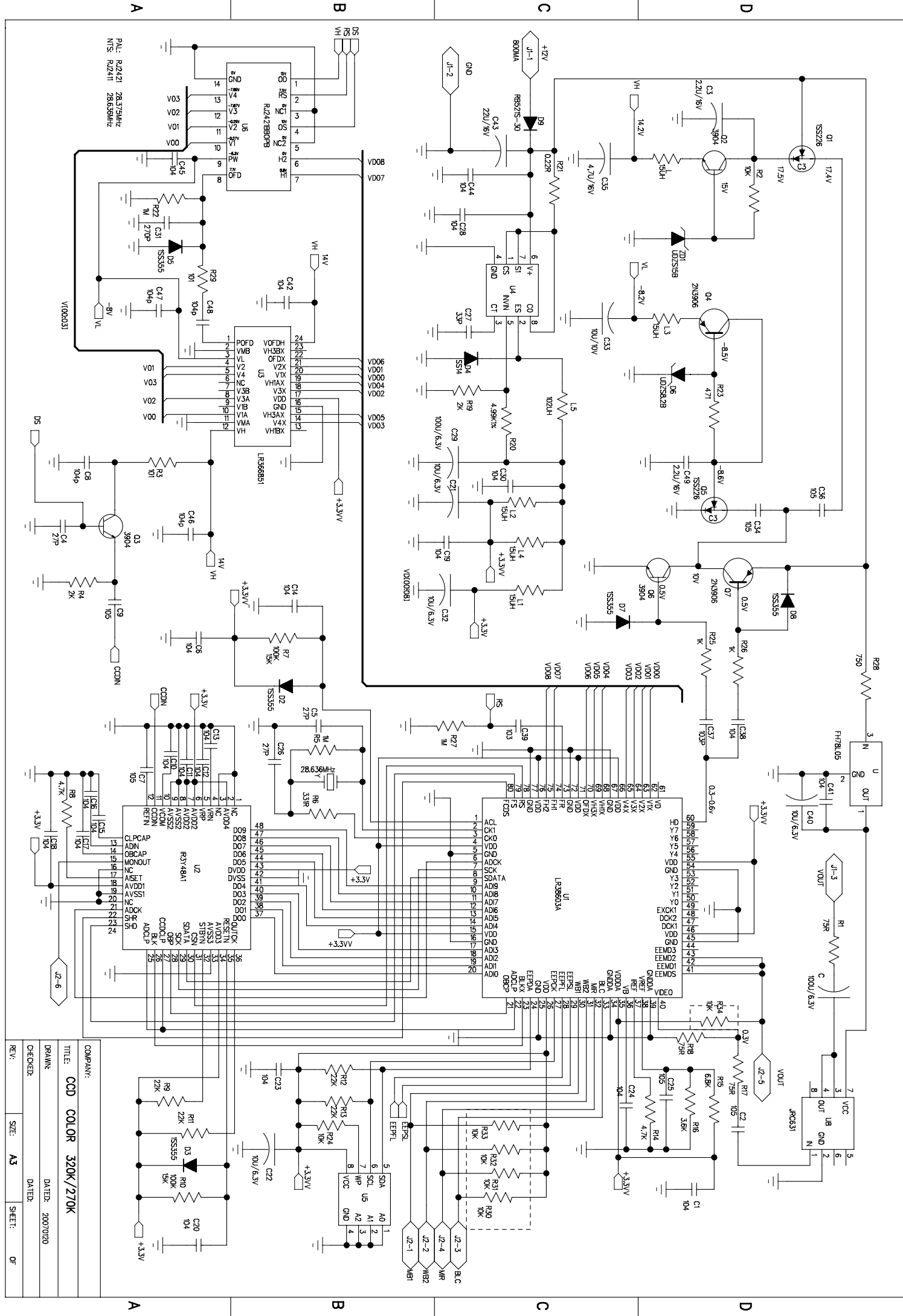
5

4

3

2

1



COMPANY: **CCD COLOR 320K/270K**

TITLE: **CCD COLOR 320K/270K**

DRAWN: _____ DATED: 20070220

CHECKED: _____ DATED: _____

REV: _____ SIZE: **A3** SHEET: _____ OF _____