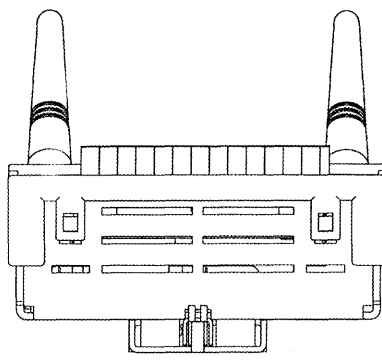
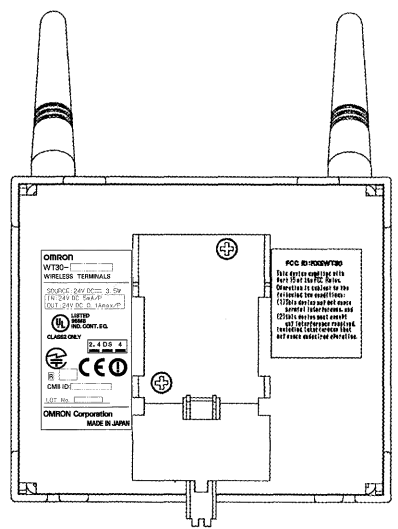
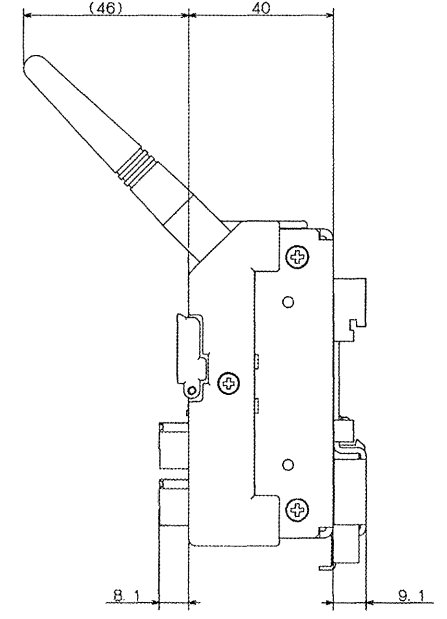
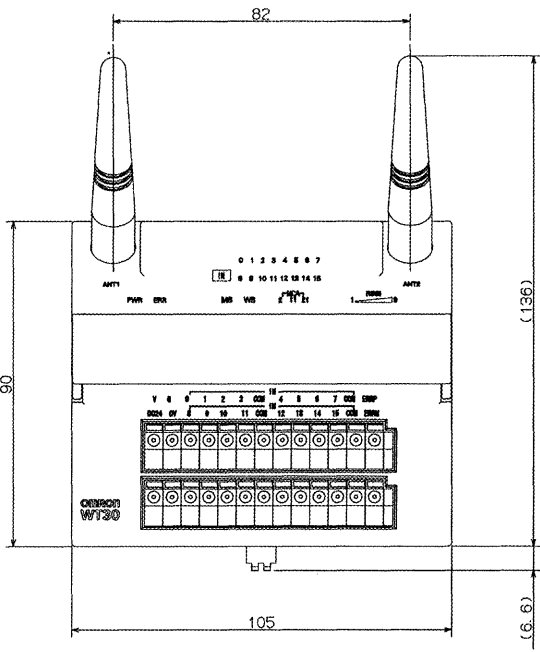
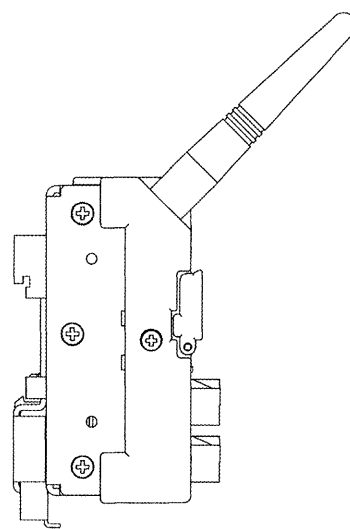
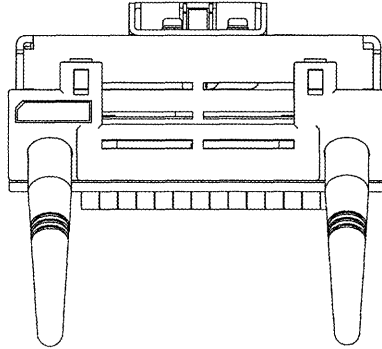


1 2 3 4 5 6 7 8 9 10 11 12 13 14 15 16

A
B
C
D
E
F
G
H
I
J
K
L

A
B
C
D
E
F
G
H
I
J
K
L



		MATERIAL XXXXXXXX		SCALE X : X		XXXXXXXXXX	
		FINISH XXXXXXXX		3RD ANGLE		XXXXXXXXXX	
		TOLERANCES UNLESS SPECIFIED		DESIGNED	CHECKED	APPROVED	DRWG NO. XXXXXXXX-X X
A	XXXXXXXXXX	XXXXXXXXXX	XXXXXX	XXX	XXXXXX	XXXXXX	XXXXXXXXXX
SYM	DATE	E/C	CONTENTS	E/C NO.	SIGN		DESIGNED FOR XXXXX