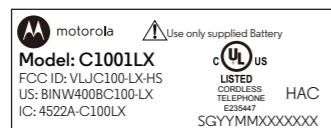


**LABELS IN POSITION**



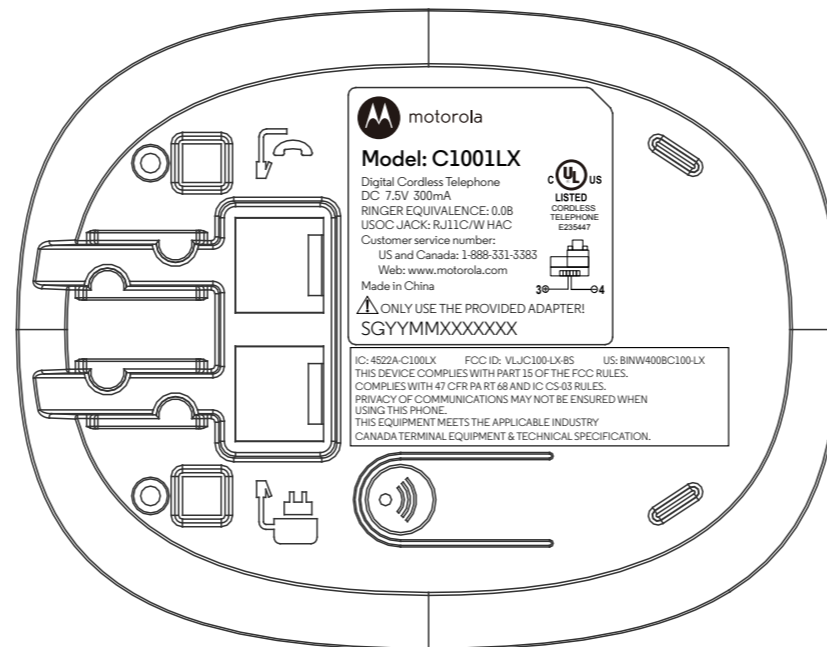
**Handset Label-1**

Handset label size: W 43mm x H 16mm

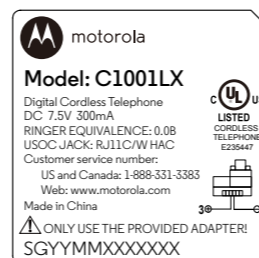


**Handset Label-2**

Handset label size: W 8mm x H 3.5mm(D=1.5mm)

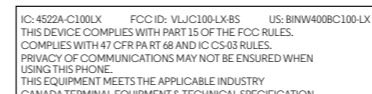


**LABELS IN POSITION**



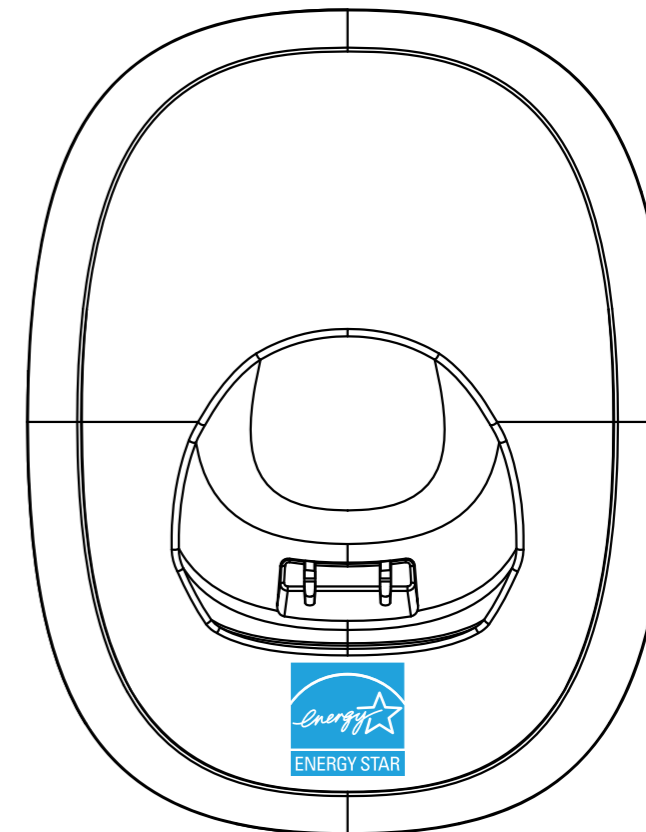
**BASE LABEL-1**

Engraving size: W35mm x H 34mm



**BASE LABEL-2**

Base label size: W 50mm x H 13mm



**LABELS IN POSITION**



**BASE LABEL-3**

Energy star label size: W 15mm x H 15mm



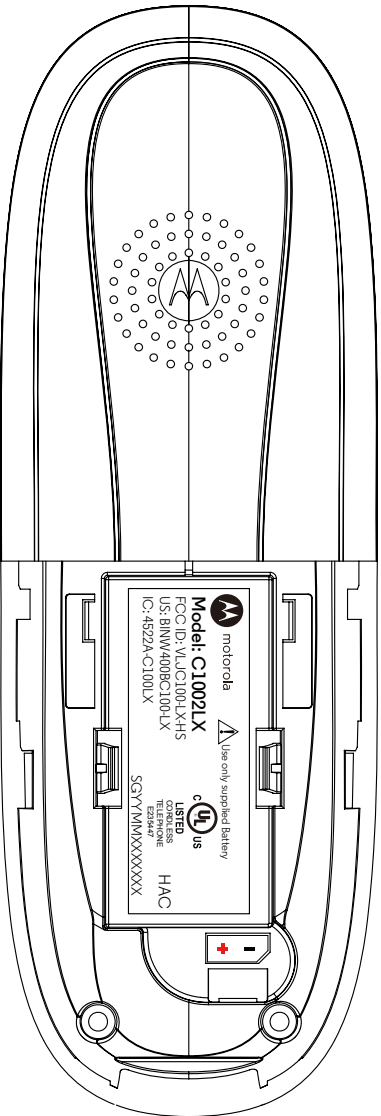
**BC LABEL  
(Sticked on the GB)**

BC label size: W 18mm x H 18mm

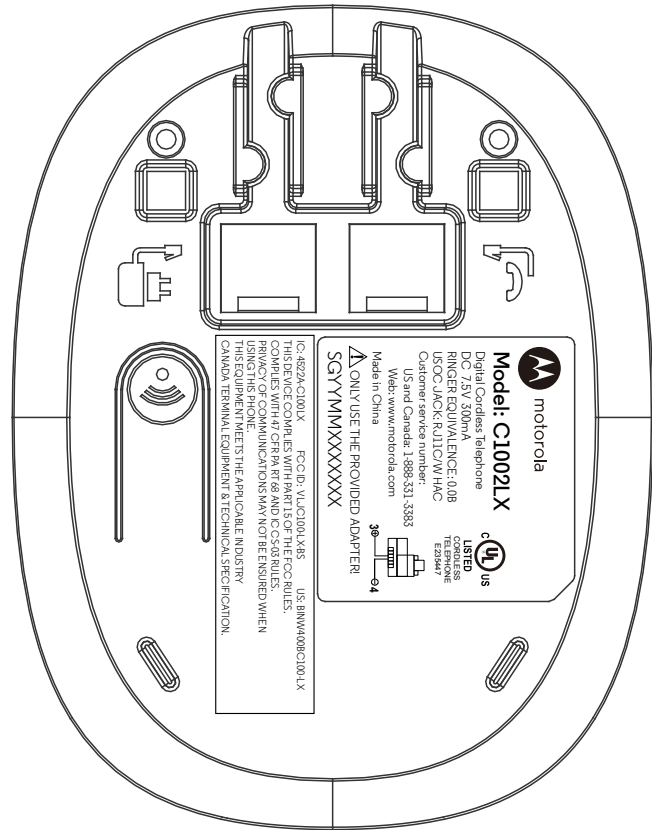
**PRODUCT LABEL ARTWORK**

Model: C1001LX | Colour: Black | Country: US  
 File: PL\_C1001LX\_US\_Black\_v10  
 Label font: Moto Sans  
 Contact: sheng.wen@sgwglocal.com  
 Date: 2014-12-16  
 Version: 10

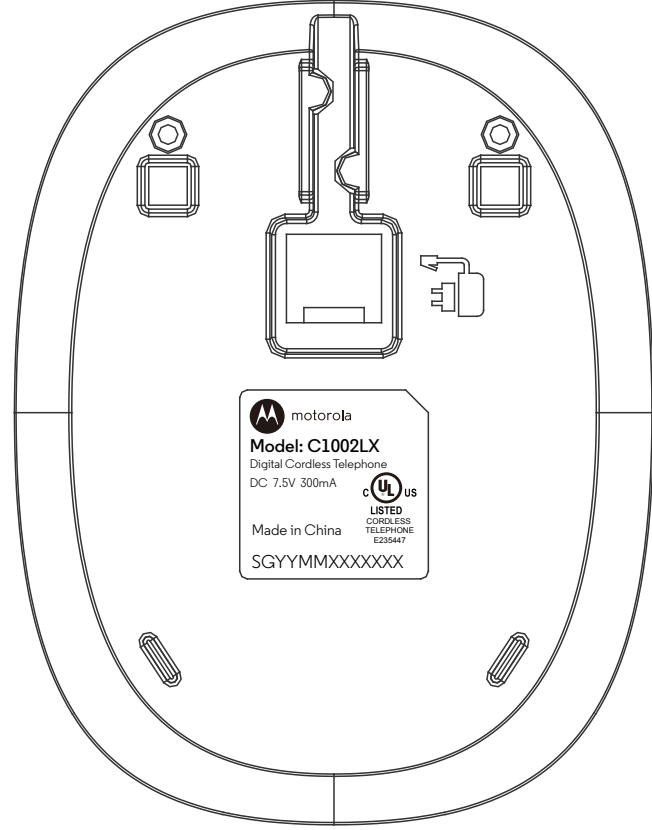




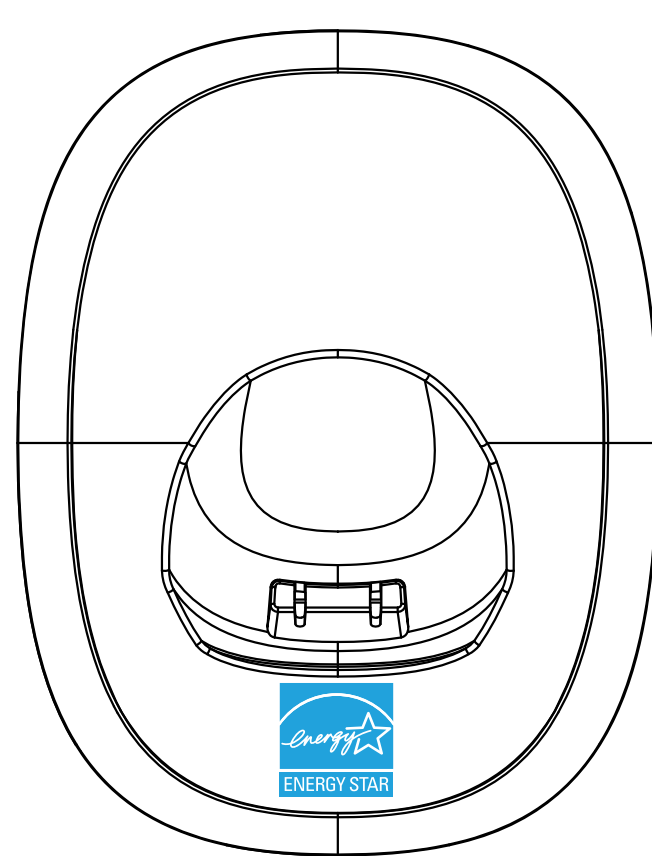
**LABELS IN POSITION**



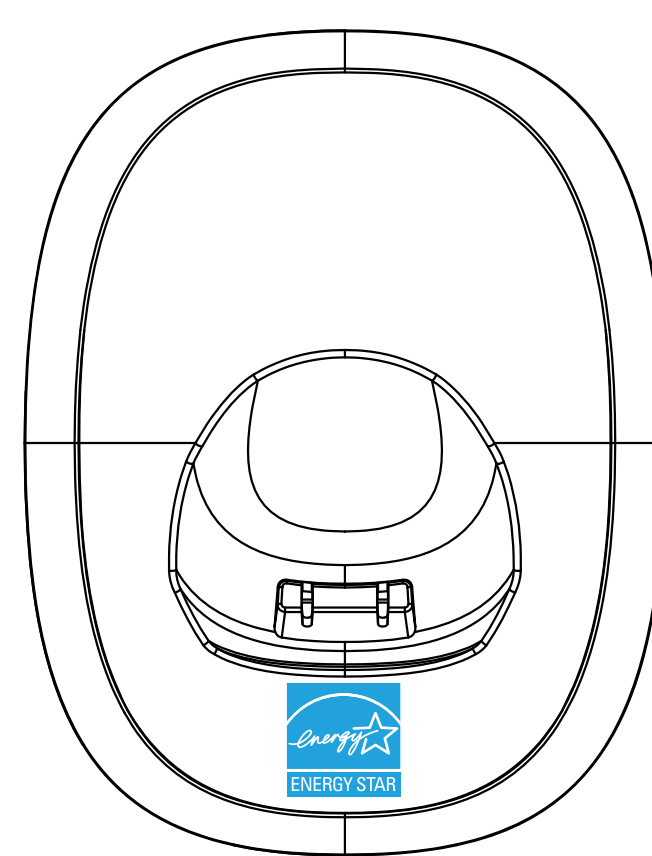
**LABELS IN POSITION**



**LABELS IN POSITION**



**LABELS IN POSITION**

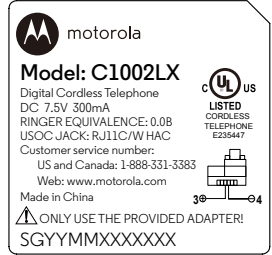


**LABELS IN POSITION**



**Handset Label-1**

Handset label size: W 43mm x H 16mm



**BASE LABEL-1**

Engraving size: W35mm x H 34mm  
Base label size: W 34.5mm x H 33.5mm



**CHARGER LABEL-1**

Engraving size: W 25mm x H 25mm

Charger label size: W 24.5mm x H 24.5mm



**BASE LABEL-2**

Energy star label size: W 15mm x H 15mm



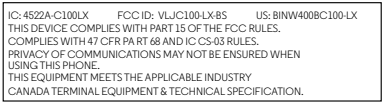
**CHARGER LABEL-2**

Energy star label size: W 15mm x H 15mm



**Handset Label-2**

Handset label size: W 8mm x H 3.5mm(D=1.5mm)



**BASE LABEL-2**

Base label size: W 50mm x H 13mm



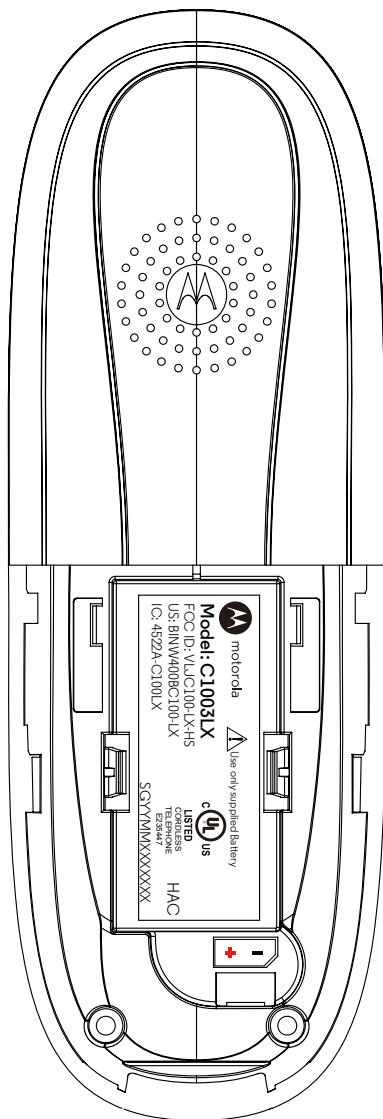
**BC LABEL**  
(Sticked on the GB)

BC label size: W 18mm x H 18mm

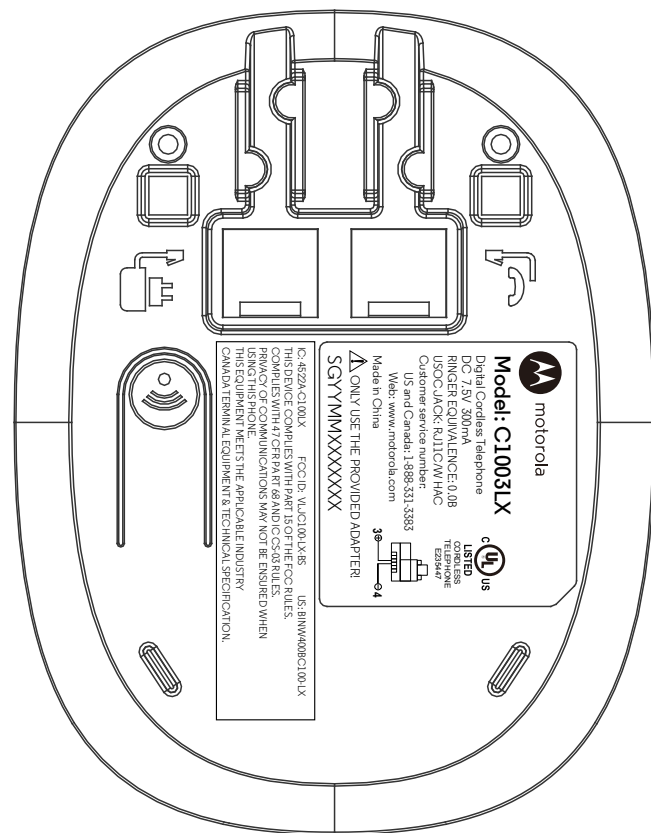
**PRODUCT LABEL ARTWORK**

Model: C1002LX | Colour: Black | Country: US  
File: PL\_C1002LX\_US\_Black\_v11  
Label font: Moto Sans  
Contact: sheng.wen@sgwglobal.com  
Date: 2014-12-16  
Version: 11

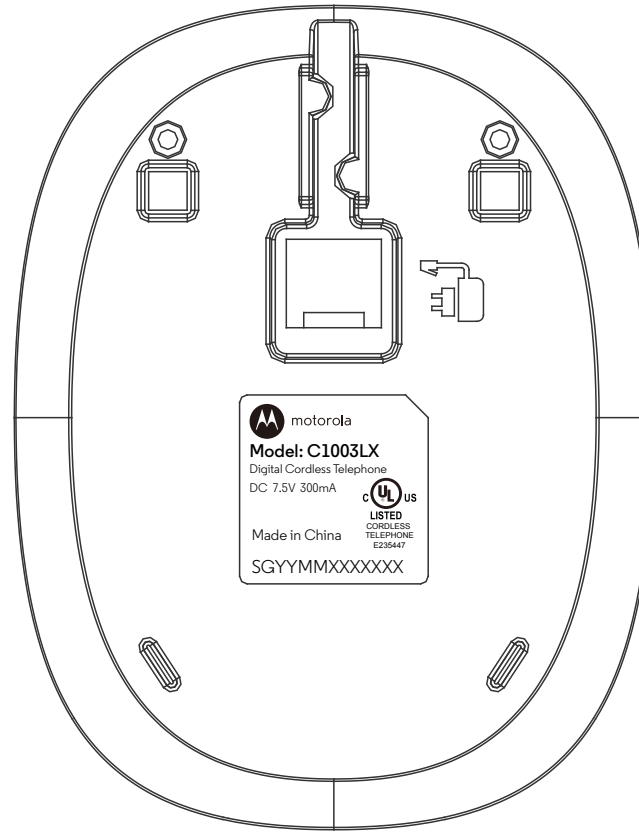




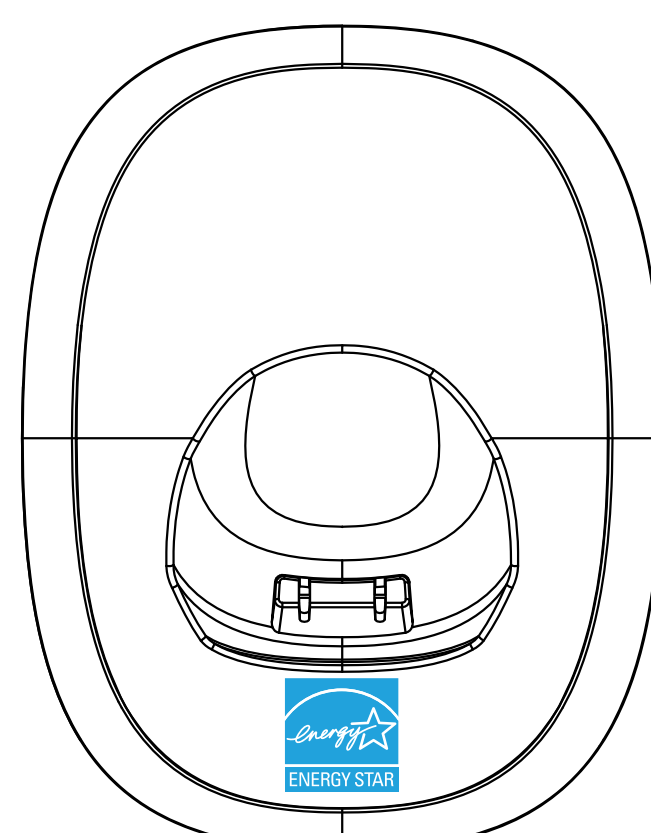
LABELS IN POSITION



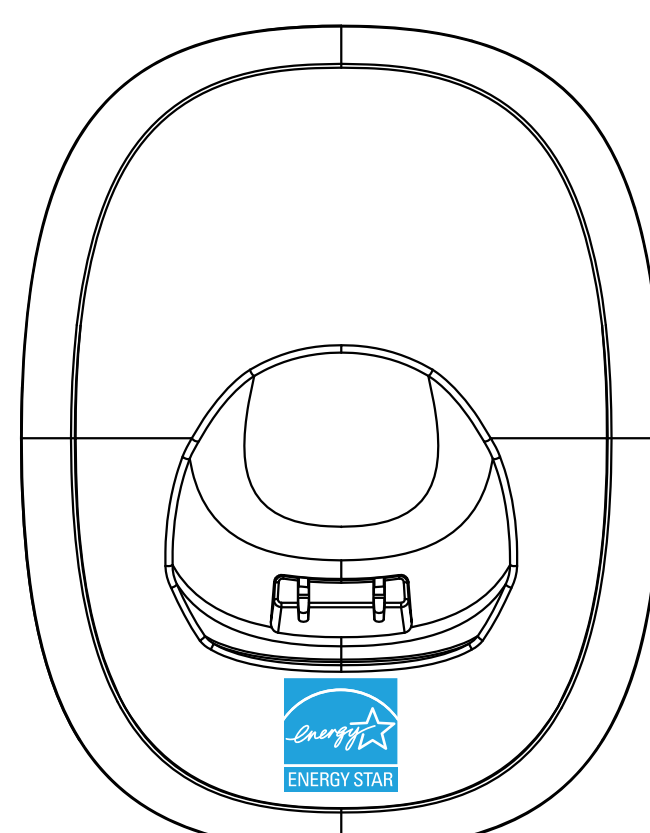
LABELS IN POSITION



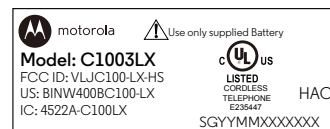
LABELS IN POSITION



LABELS IN POSITION



LABELS IN POSITION



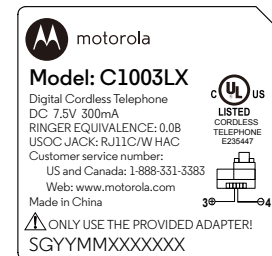
Handset Label

Handset label size: W 43mm x H 16mm



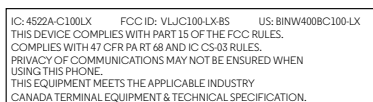
Handset Label-2

Handset label size: W 8mm x H 3.5mm(D=1.5mm)



BASE LABEL-1

Engraving size: W35mm x H 34mm  
Base label size: W 34.5mm x H 33.5mm



BASE LABEL-2

Base label size: W 50mm x H 13mm



CHARGER

Engraving size: W 25mm x H 25mm

Charger label size: W 24.5mm x H 24.5mm



BC LABEL  
(Sticked on the GB)

BC label size: W 18mm x H 18mm



BASE LABEL-2

Energy star label size: W 15mm x H 15mm



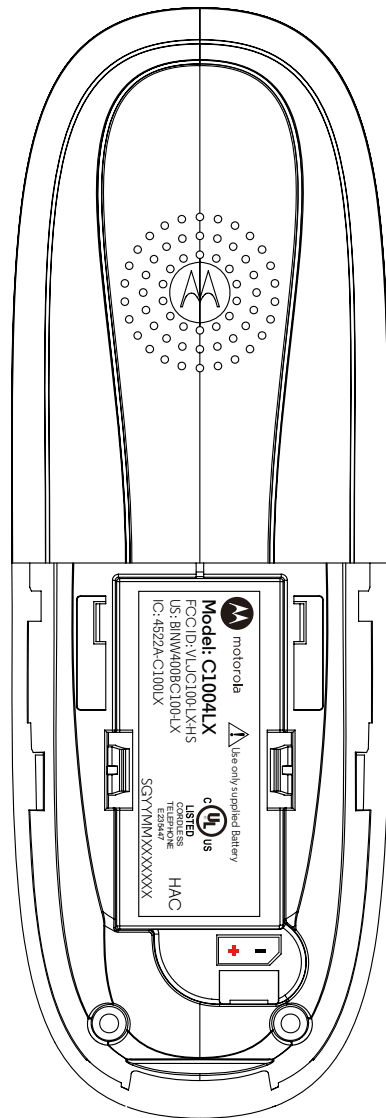
CHARGER LABEL-2

Energy star label size: W 15mm x H 15mm

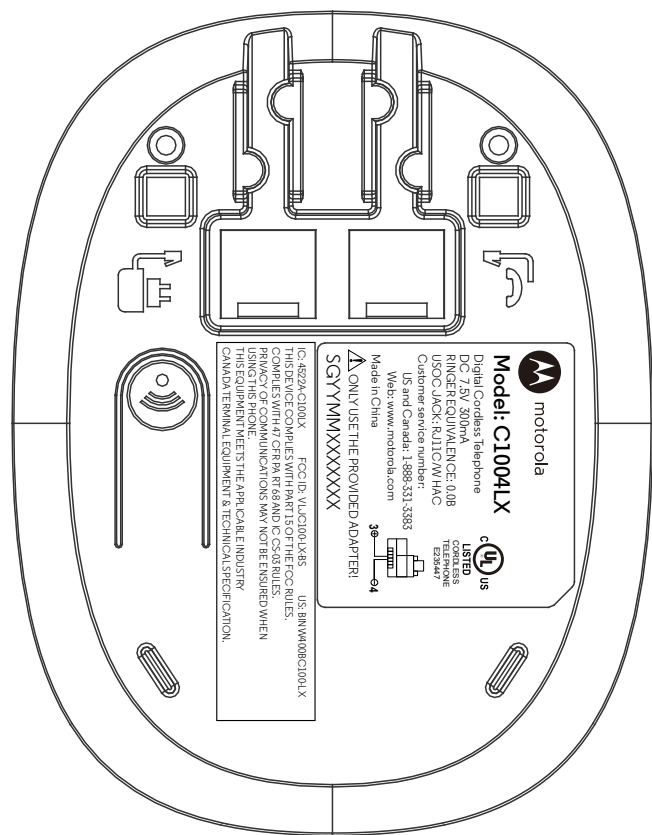
PRODUCT LABEL ARTWORK

Model: C1003LX | Colour: Black | Country: US  
File: PL\_C1003LX\_US\_Black\_v8  
Label font: Moto Sans  
Contact: sheng.wen@sgwglobal.com  
Date: 2014-12-16  
Version: 8

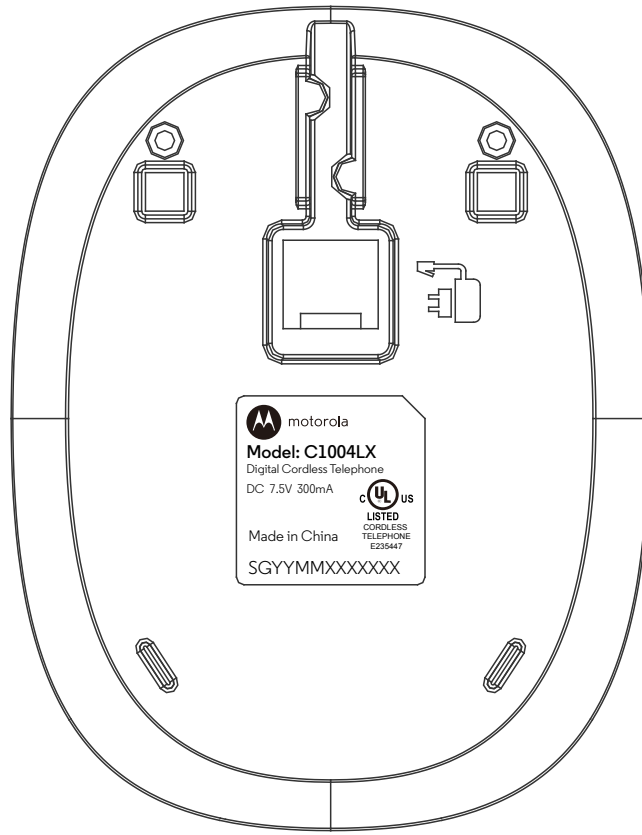




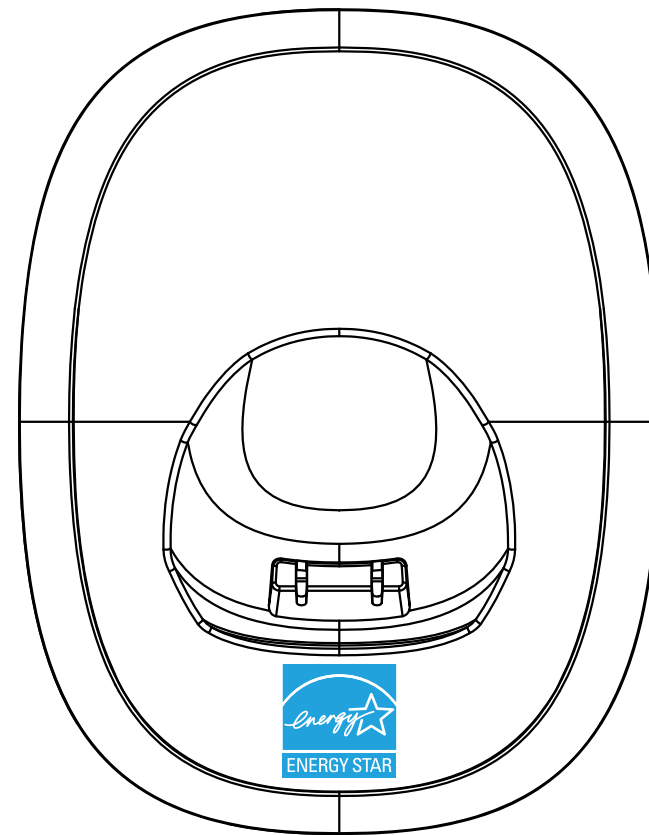
LABELS IN POSITION



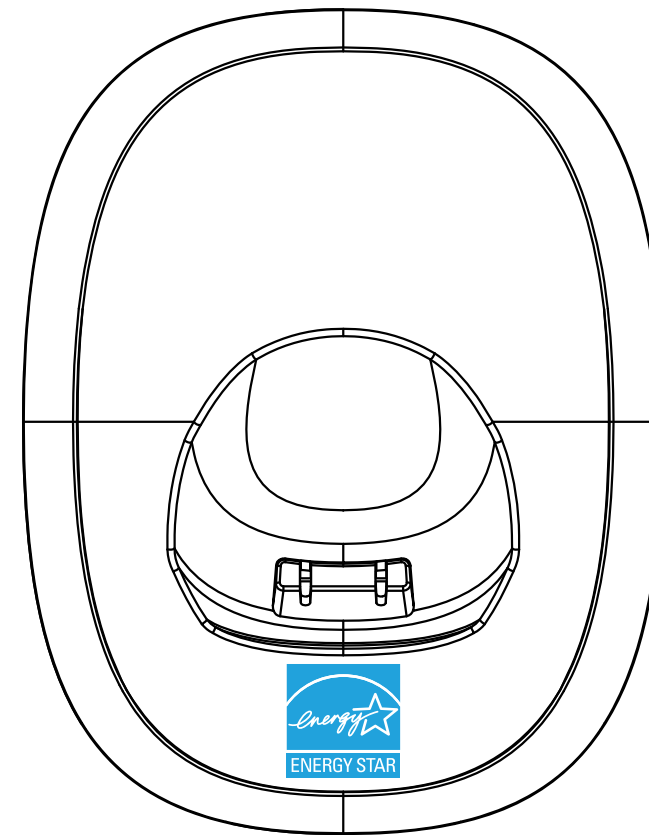
LABELS IN POSITION



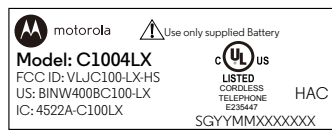
LABELS IN POSITION



LABELS IN POSITION

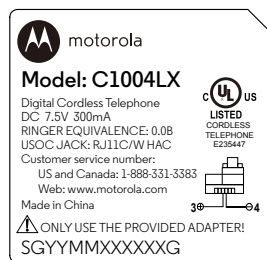


LABELS IN POSITION



Handset Label

Handset label size: W 43mm x H 16mm



BASE LABEL-1

Engraving size: W35mm x H 34mm  
Base label size: W 34.5mm x H 33.5mm



CHARGER

Engraving size: W 25mm x H 25mm

Charger label size: W 24.5mm x H 24.5mm



BASE LABEL-2

Energy star label size: W 15mm x H 15mm



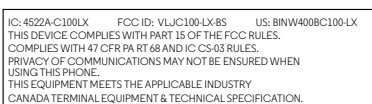
CHARGER LABEL-2

Energy star label size: W 15mm x H 15mm



Handset Label-2

Handset label size: W 8mm x H 3.5mm(D=1.5mm)



BASE LABEL-2

Base label size: W 50mm x H 13mm



BC LABEL  
(Sticked on the GB)

BC label size: W 18mm x H 18mm

PRODUCT LABEL ARTWORK

Model: C1004LX | Colour: Black | Country: US  
File: PL\_C1004LX\_US\_Black\_v8  
Label font: Moto Sans  
Contact: sheng.wen@sgwglobal.com  
Date: 2014-12-16  
Version: 8

