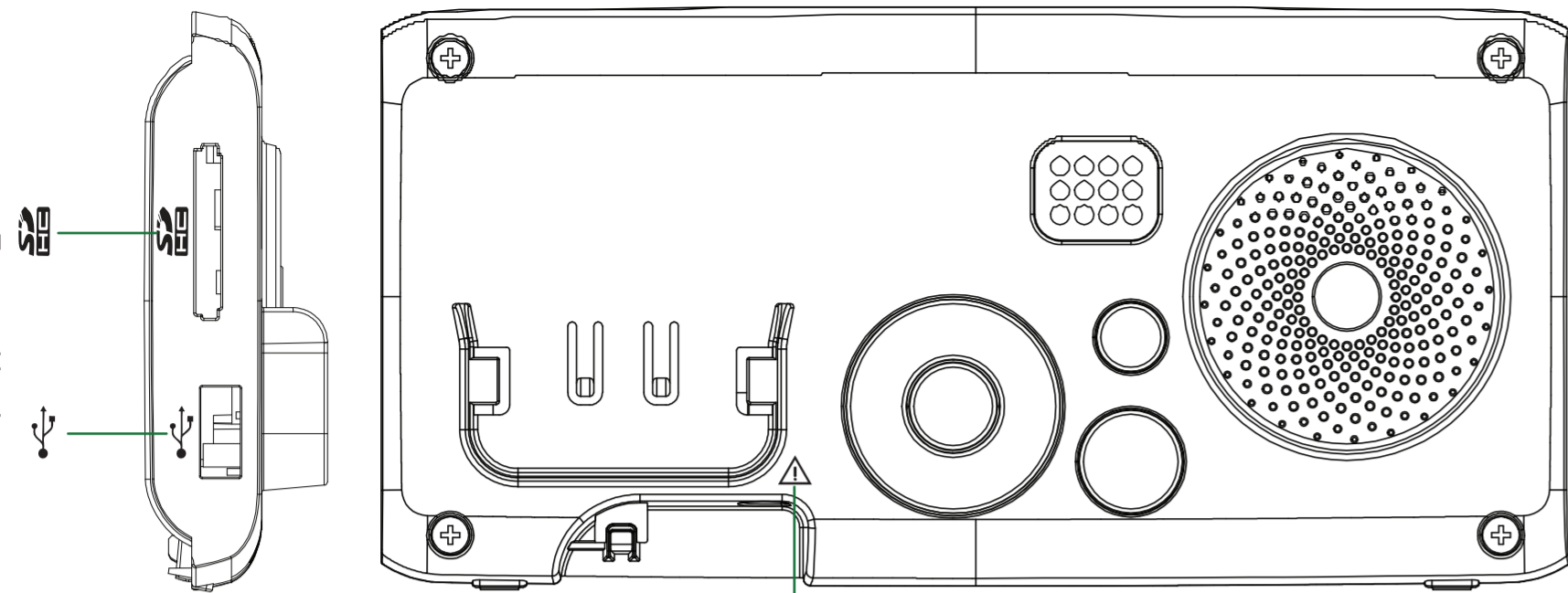
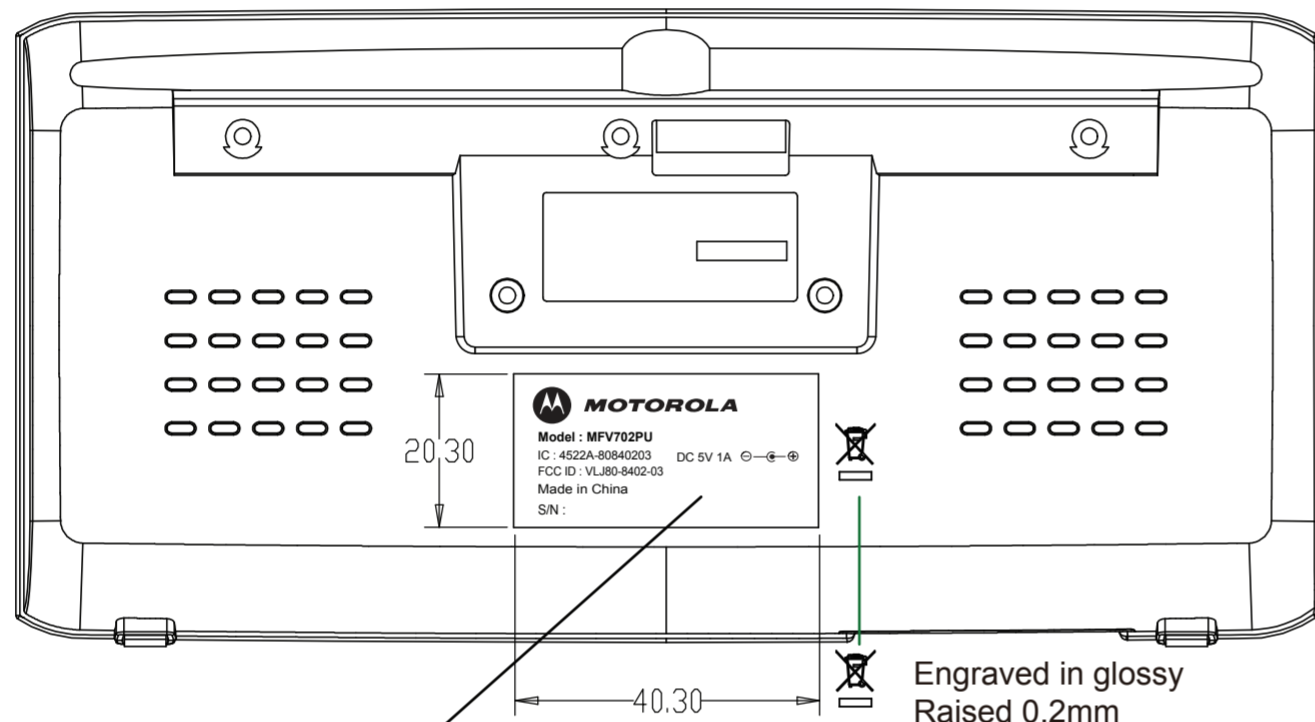


Engraved in glossy
Raised 0.2mm

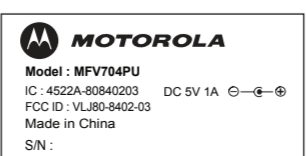
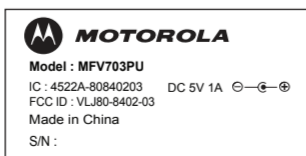
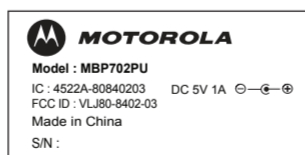
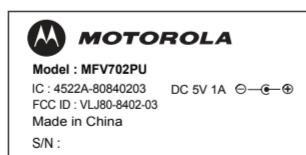
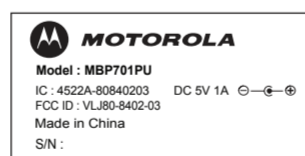
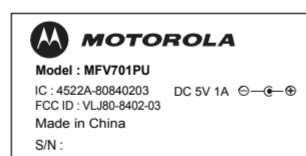


Engraved in glossy
Raised 0.2mm

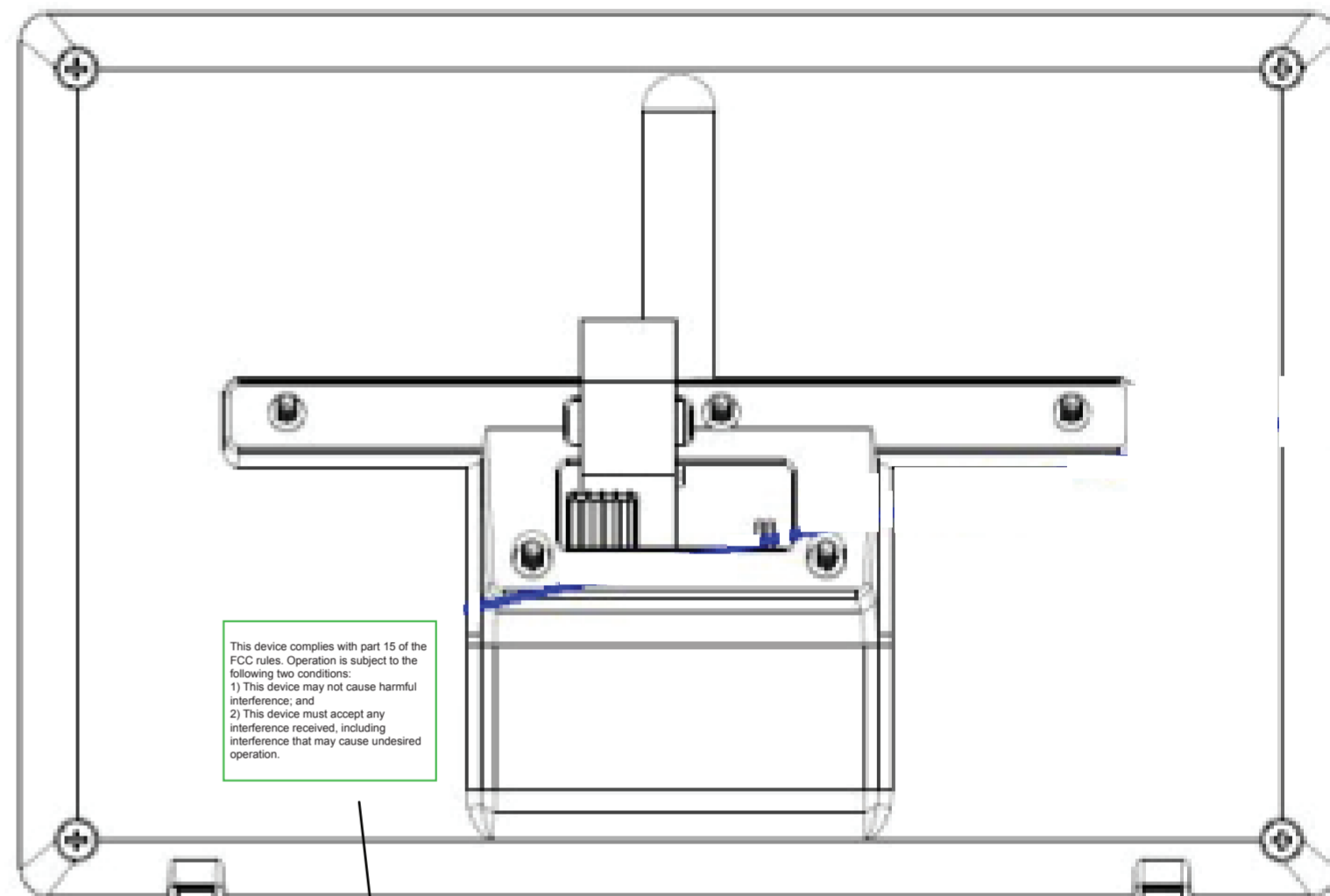


Label position(40mmx20mm)

MFV7XX&MBP7XX PU



Frame Rear



This device complies with part 15 of the FCC rules. Operation is subject to the following two conditions:
1) This device may not cause harmful interference; and
2) This device must accept any interference received, including interference that may cause undesired operation.

This device complies with part 15 of the FCC rules. Operation is subject to the following two conditions:
1) This device may not cause harmful interference; and
2) This device must accept any interference received, including interference that may cause undesired operation.

← TEXT TYPE: Arial
TEXT SIZE: Point 6

FCC LBL
92-019994-010-100
Dimension: 40*30 mm
Material: 80g art paper