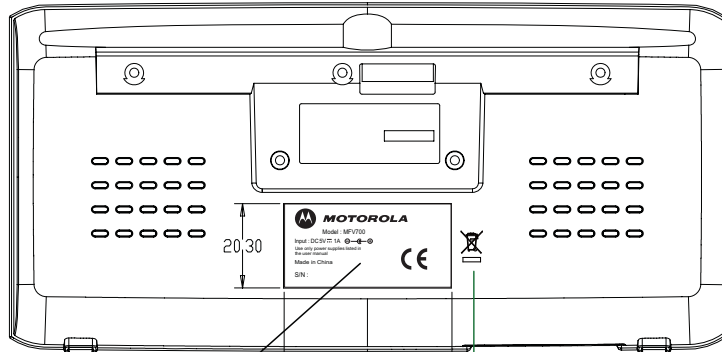


Engraved in glossy
Raised 0.2mm



20.30

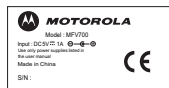
40.30

Engraved in glossy
Raised 0.2mm

Label position(40mmx20mm)

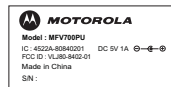
MFV700 PU

MFV700PU-(UK/EU)



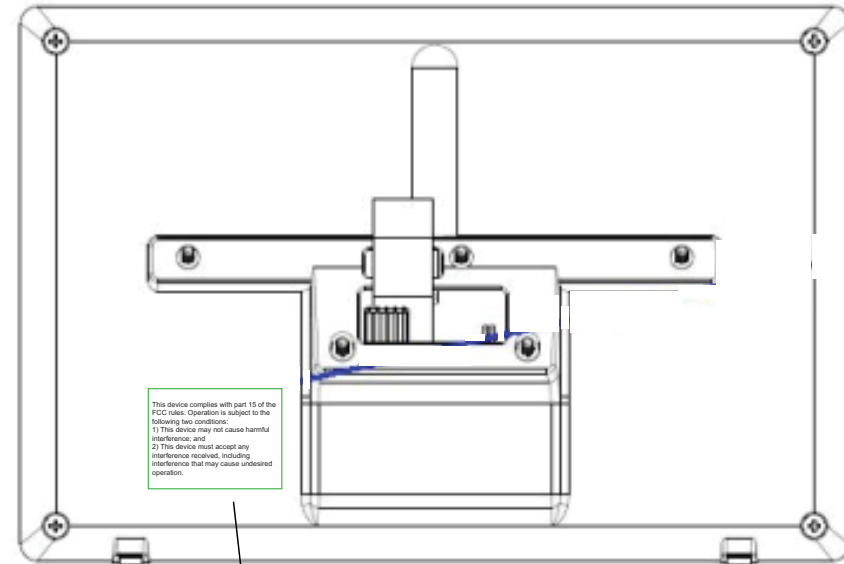
Fram label
92-0xxxx-010-100
Dimension: 40*20 mm
Material: 80g art paper

MFV700PU-(US/CA)



Fram label
92-0xxxx-010-100
Dimension: 40*20 mm
Material: 80g art paper

Frame Rear



This device complies with part 15 of the FCC rules. Operation is subject to the following two conditions:
1) This device may not cause harmful interference; and
2) This device must accept any interference received, including interference that may cause undesired operation.

This device complies with part 15 of the FCC rules. Operation is subject to the following two conditions:
1) This device may not cause harmful interference; and
2) This device must accept any interference received, including interference that may cause undesired operation.

← **TEXT TYPE: Arial**
TEXT SIZE: Point 6

FCC LBL
92-019994-010-100
Dimension: 40*30 mm
Material: 80g art paper