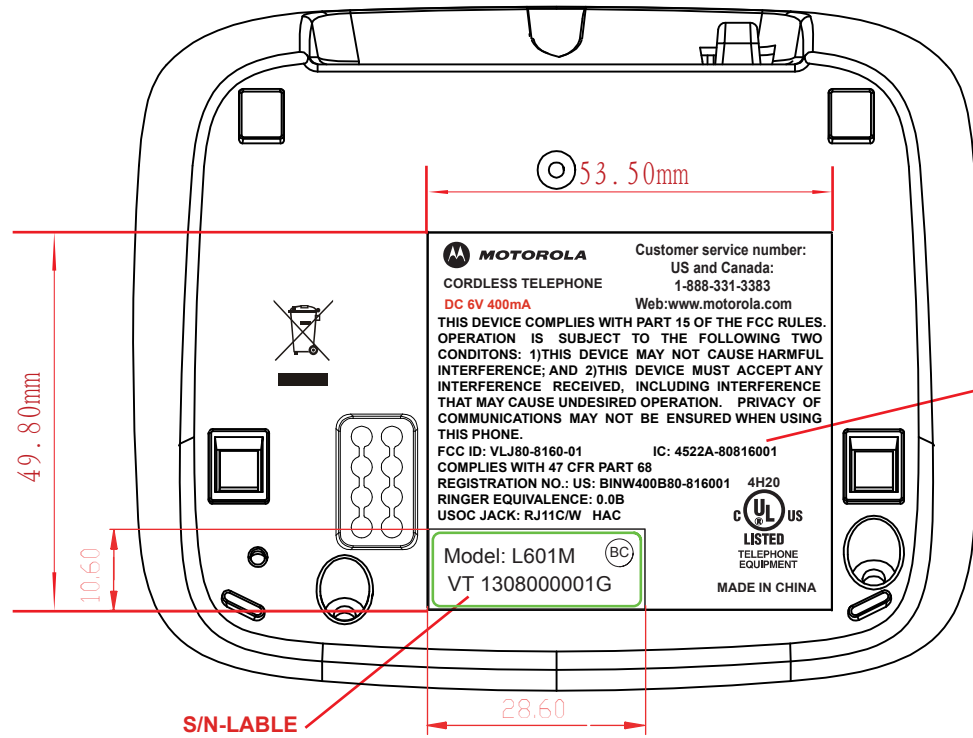
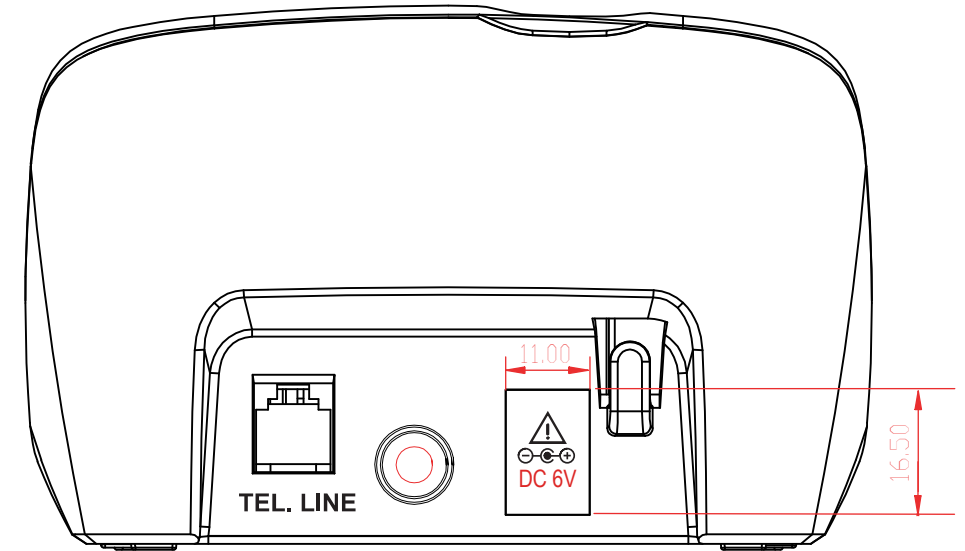


L60X low cost slb base engraving

30-011819-000-150 for American Version



Text: Recessed
0.3mm High Gloss
Background:
Textured



TEL. LINE

DC 6V

Engraving Text
Raised 0.3mm

Engraving Text
Raised 0.3mm

Model: L601M (BC) VT 1308000001G

Model: L602M (BC) VT 1308000001G

Model: L603M (BC) VT 1308000001G

Model: L604M (BC) VT 1308000001G

Model: L605M (BC) VT 1308000001G

Model: L601 (BC) VT 1308000001G

Model: L602 (BC) VT 1308000001G

Model: L603 (BC) VT 1308000001G

Model: L604 (BC) VT 1308000001G

Model: L605 (BC) VT 1308000001G

BS SN LABEL:
SIZE: 27.5*9.7mm R1

MOTOROLA Customer service number:
US and Canada:
1-888-331-3383
CORDLESS TELEPHONE Web: www.motorola.com
DC 6V 400mA

THIS DEVICE COMPLIES WITH PART 15 OF THE FCC RULES. OPERATION IS SUBJECT TO THE FOLLOWING TWO CONDITIONS: 1) THIS DEVICE MAY NOT CAUSE HARMFUL INTERFERENCE; AND 2) THIS DEVICE MUST ACCEPT ANY INTERFERENCE RECEIVED, INCLUDING INTERFERENCE THAT MAY CAUSE UNDESIRE OPERATION. PRIVACY OF COMMUNICATIONS MAY NOT BE ENSURED WHEN USING THIS PHONE.

FCC ID: VLJ80-8160-01 IC: 4522A-80816001
COMPLIES WITH 47 CFR PART 68
REGISTRATION NO.: US: BINW400B80-816001 4H20
RINGER EQUIVALENCE: 0.0B
USOC JACK: RJ11C/W HAC

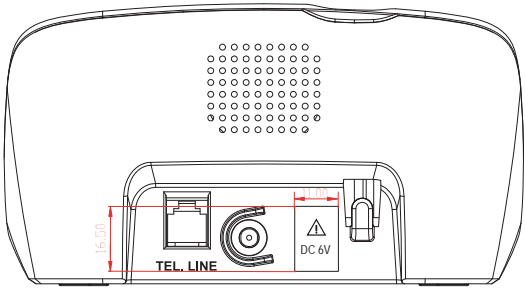
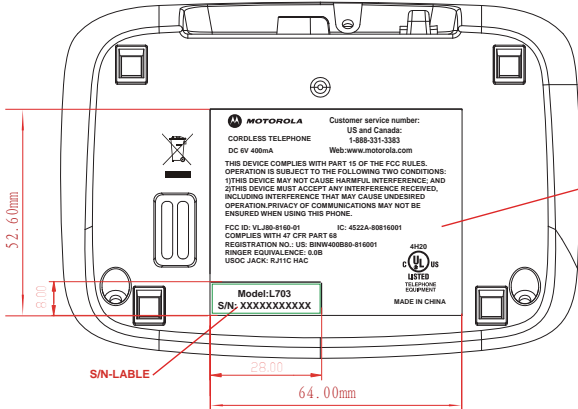
UL LISTED TELEPHONE EQUIPMENT
MADE IN CHINA

Model: L601M (BC) VT 1308000001G

This area is blank,
hi-gloss, recessed 0.30mm

L70X Tam base engraving

30-011814-000-120 for American Version



| | | | |
|----------------------------------|-----------------------------------|-----------------------------------|-----------------------------------|
| Model: L701 S/N: XXXXXXXXXXXX | Model: L704 S/N: XXXXXXXXXXXX | Model: L701M S/N: XXXXXXXXXXXX | Model: L704M S/N: XXXXXXXXXXXX |
| Model: L702 S/N: XXXXXXXXXXXX | Model: L705 S/N: XXXXXXXXXXXX | Model: L702M S/N: XXXXXXXXXXXX | Model: L705M S/N: XXXXXXXXXXXX |
| Model: L703 S/N: XXXXXXXXXXXX | Model: L703M S/N: XXXXXXXXXXXX | | |