

COMPONENT COSMETIC SPECIFICATION

MODEL NAME : L502BT MODEL NO. : 80-7472-01-00
 DESCRIPTION : BS BTM
 DOCUMENT NO.: 30-009618-000-120 REV. : 0

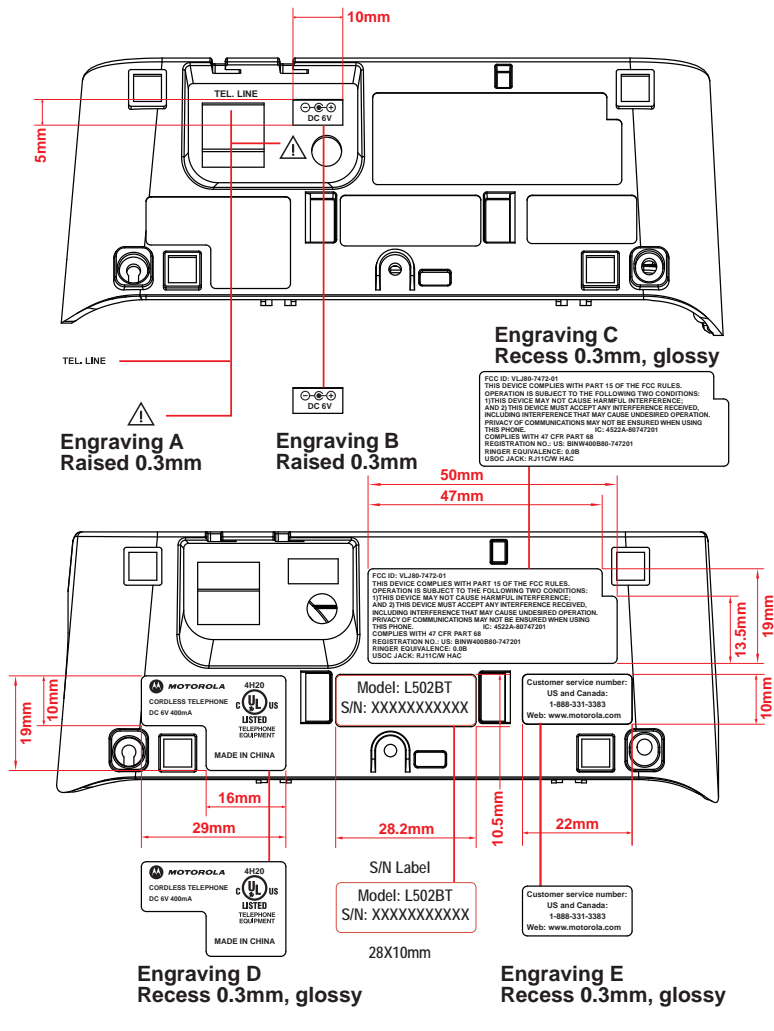
COSMETIC SURFACE TREATMENT :

FRONT SURFACE: Engraving.
 BACK SURFACE : NIL

OTHER DETAILS :

MATERIALS : Details please see the MECH drawing # 30-009618.
 REMARKS : Plastic color please refer to latest color spec.

DELIVERY PROTECTION: POLYBAG PACKING FOR EACH INDIVIDUAL UNIT



REMARKS :

- ALL TEXT/GRAPHICS PRINTED IN :
- GENERAL DIMENSION TOLERANCE : **+/-0.1mm**

COMPONENT COSMETIC SPECIFICATION

MODEL NAME : L502BT MODEL NO. : 80-6998-01-00
DESCRIPTION : HS REAR
DOCUMENT NO.: 30-009612-000-120 REV. : 0

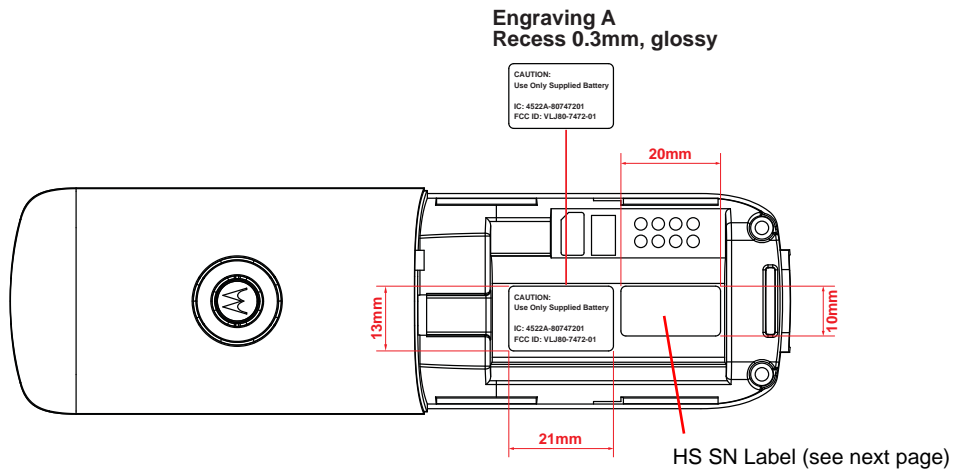
COSMETIC SURFACE TREATMENT :

FRONT SURFACE: Engraving.
BACK SURFACE : NIL

OTHER DETAILS :

MATERIALS : Details please see the MECH drawing # 30-009612.
REMARKS : Plastic color please refer to latest color spec.

DELIVERY PROTECTION: POLYBAG PACKING FOR EACH INDIVIDUAL UNIT



REMARKS :

- ALL TEXT/GRAPHICS PRINTED IN :
- GENERAL DIMENSION TOLERANCE : +/-0.1mm

L501BT label:

HS SN LABEL:
SIZE: 20*10mm

Model: L501BT
VT 0902000001G

BS SN LABEL:
SIZE: 28*10mm

Model: L501BT
VT 0902000001G

L502BT label:

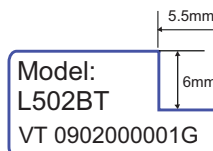
HS SN LABEL:
SIZE: 20*10mm

Model: L502BT
VT 0902000001G

BS SN LABEL:
SIZE: 28*10mm

Model: L502BT
VT 0902000001G

CHAR SN LABEL:
SIZE: 20*10mm



L503BT label:

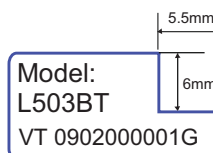
HS SN LABEL:
SIZE: 20*10mm

Model: L503BT
VT 0902000001G

BS SN LABEL:
SIZE: 28*10mm

Model: L503BT
VT 0902000001G

CHAR SN LABEL:
SIZE: 20*10mm



L504BT label:

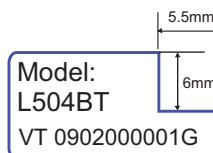
HS SN LABEL:
SIZE: 20*10mm

Model: L504BT
VT 0902000001G

BS SN LABEL:
SIZE: 28*10mm

Model: L504BT
VT 0902000001G

CHAR SN LABEL:
SIZE: 20*10mm



L505BT label:

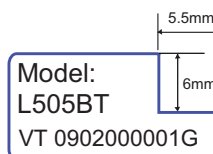
HS SN LABEL:
SIZE: 20*10mm

Model: L505BT
VT 0902000001G

BS SN LABEL:
SIZE: 28*10mm

Model: L505BT
VT 0902000001G

CHAR SN LABEL:
SIZE: 20*10mm



L5BT label:

HS SN LABEL:
SIZE: 20*10mm

Model: L5BT
VT 0902000001G

CHAR SN LABEL:
SIZE: 20*10mm

