

COMPONENT COSMETIC SPECIFICATION

PART NO. 30-009601-001-100

MODEL NAME : B802 MODEL NO. : 80-7058-01-00
 DESCRIPTION : BS BTM
 DOCUMENT NO. : 30-009601-001-100 REV. : 0

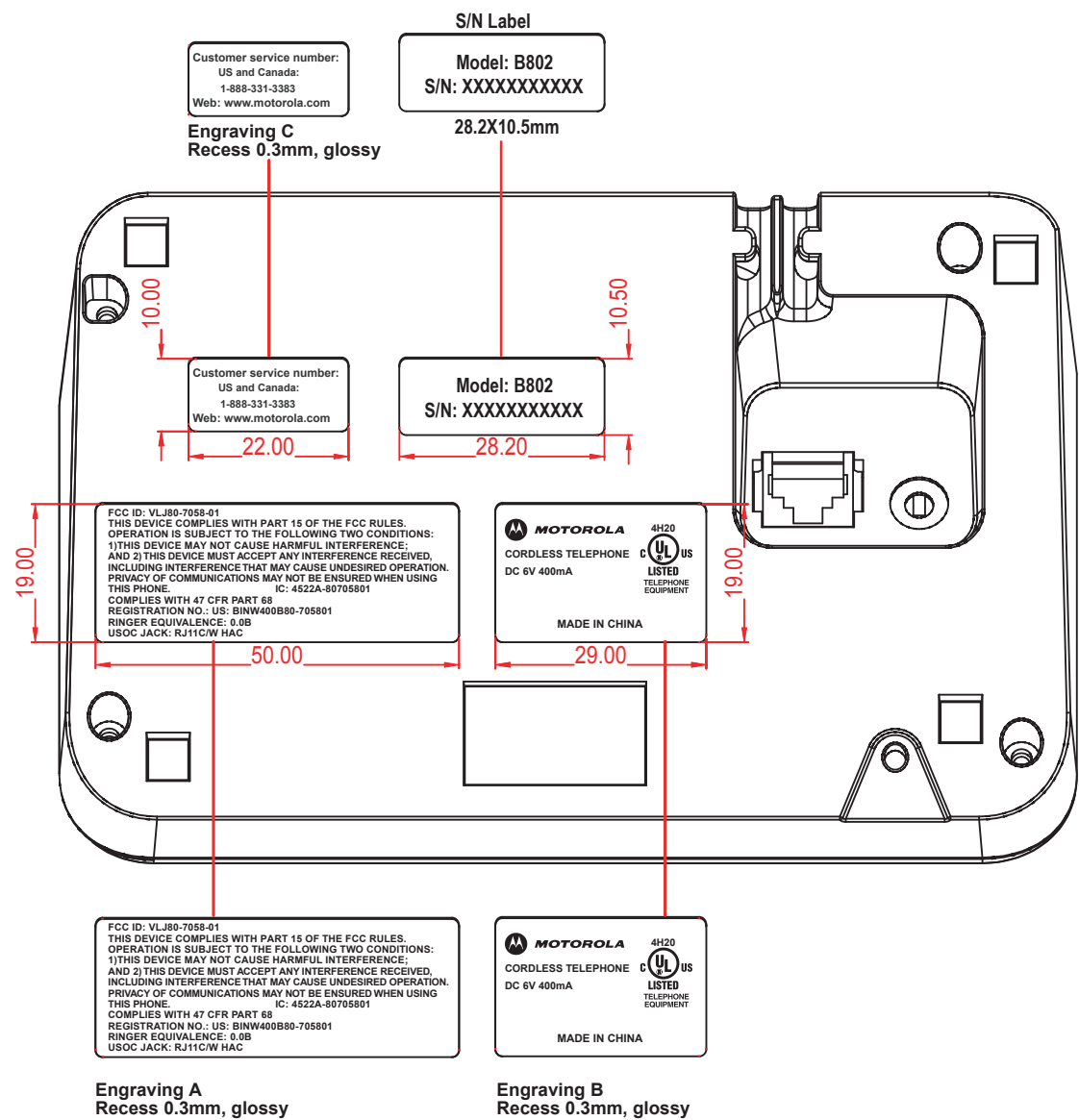
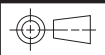
COSMETIC SURFACE TREATMENT :

FRONT SURFACE : Engraving.
 BACK SURFACE : NIL

OTHER DETAILS :

MATERIALS : Details please see the MECH drawing # 30-009601.
 REMARKS : Plastic color please refer to latest color spec.

DELIVERY PROTECTION: POLYBAG PACKING FOR EACH INDIVIDUAL UNIT



REMARKS :

- ALL TEXT/GRAPHICS PRINTED IN :
- GENERAL DIMENSION TOLERANCE : +/-0.1mm

DATE : Apr07, 2009

Sheet 1 OF 2

COMPONENT COSMETIC SPECIFICATION

PART NO. 30-009601-001-100

MODEL NAME : B802 MODEL NO. : 80-7058-01-00
 DESCRIPTION : BS BTM
 DOCUMENT NO. : 30-009601-001-100 REV. : 0

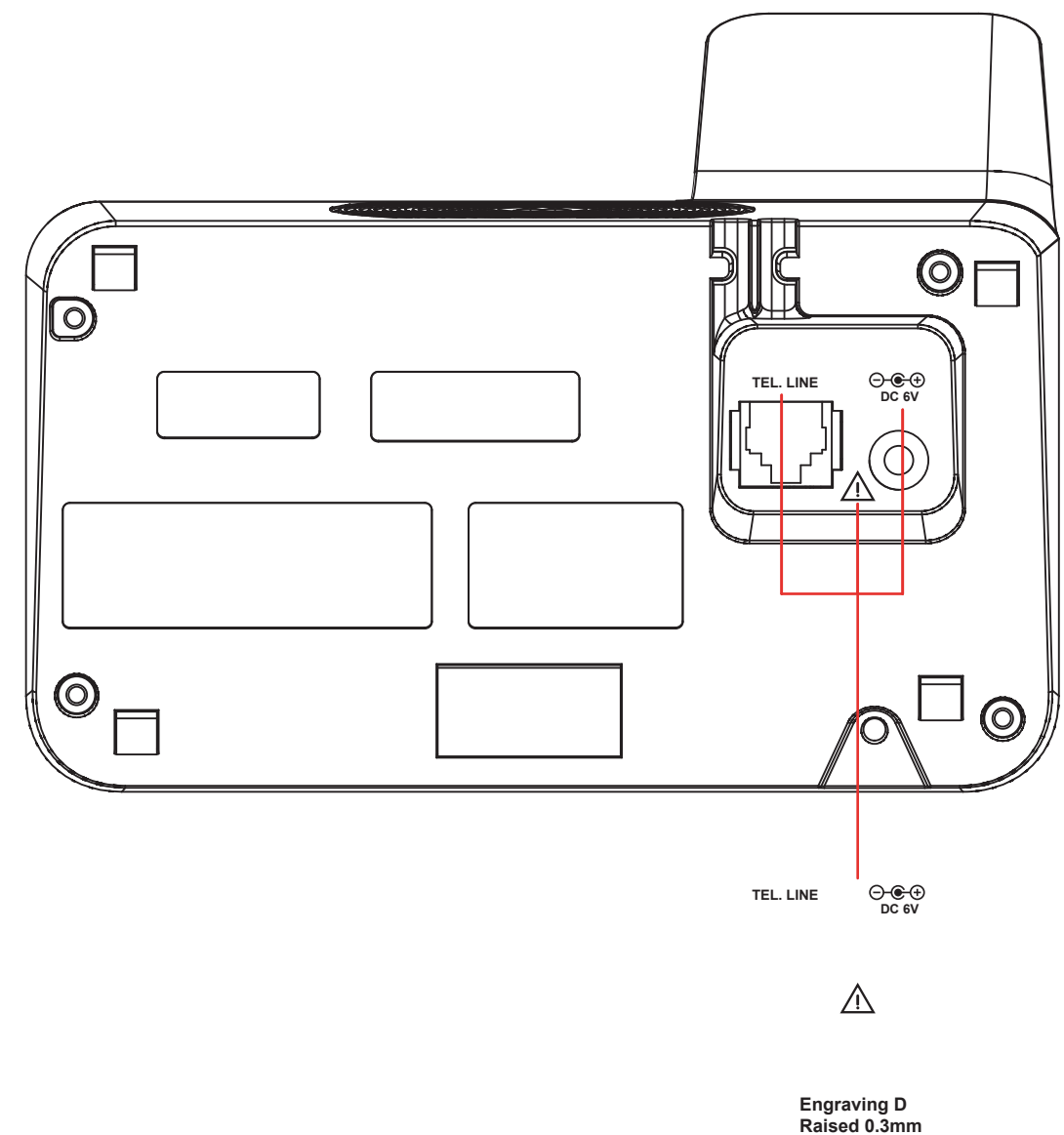
COSMETIC SURFACE TREATMENT :

FRONT SURFACE : Engraving.
 BACK SURFACE : NIL

OTHER DETAILS :

MATERIALS : Details please see the MECH drawing # 30-009601.
 REMARKS : Plastic color please refer to latest color spec.

DELIVERY PROTECTION: POLYBAG PACKING FOR EACH INDIVIDUAL UNIT



REMARKS :

- ALL TEXT/GRAPHICS PRINTED IN :
- GENERAL DIMENSION TOLERANCE : +/-0.1mm

DATE : Apr07, 2009

Sheet 2 OF 2

COMPONENT COSMETIC SPECIFICATION

PART NO. 30-009595-001-100

MODEL NAME : B802
 DESCRIPTION : HS REAR
 DOCUMENT NO.: 30-009595-001-100 REV. : 0
 MODEL NO. : 80-7058-01-00

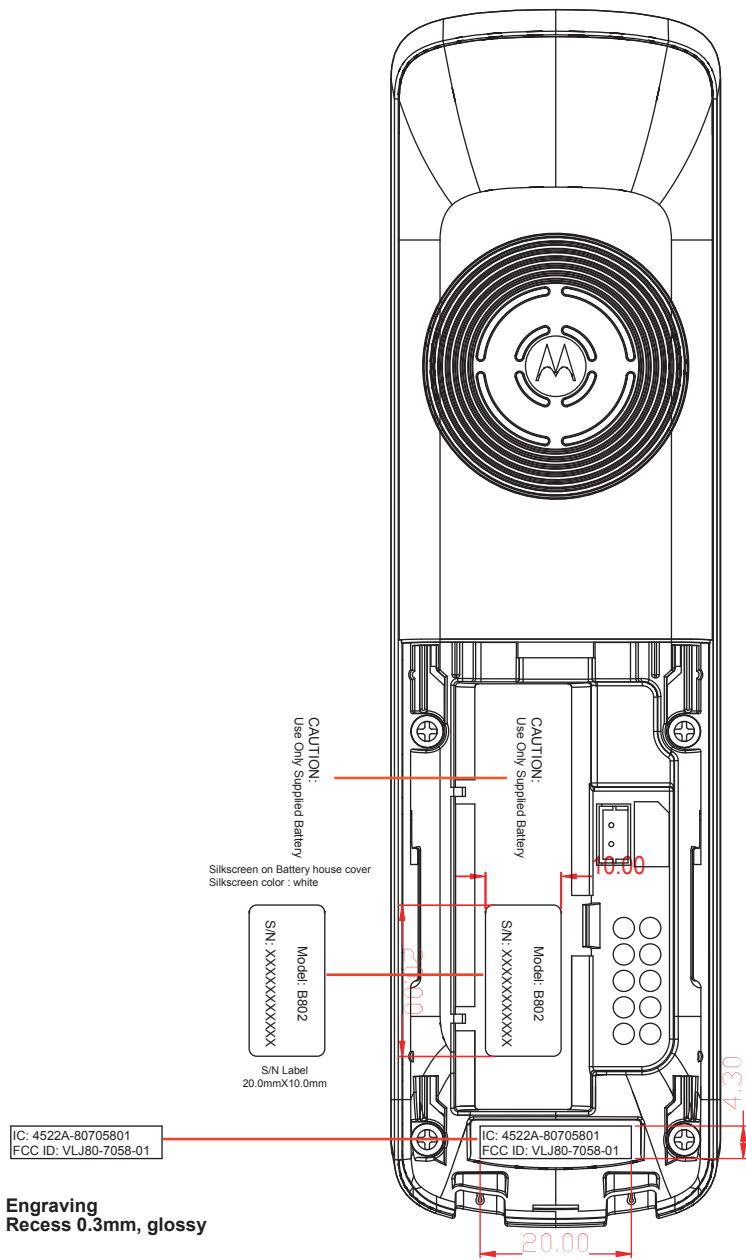
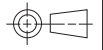
COSMETIC SURFACE TREATMENT :

FRONT SURFACE : Engraving.
 BACK SURFACE : NIL

OTHER DETAILS :

MATERIALS : Details please see the MECH drawing # 30-009595.
 REMARKS : Plastic color please refer to latest color spec.

DELIVERY PROTECTION: POLYBAG PACKING FOR EACH INDIVIDUAL UNIT



REMARKS :

- ALL TEXT/GRAPHICS PRINTED IN :
- GENERAL DIMENSION TOLERANCE : **+/-0.1mm**