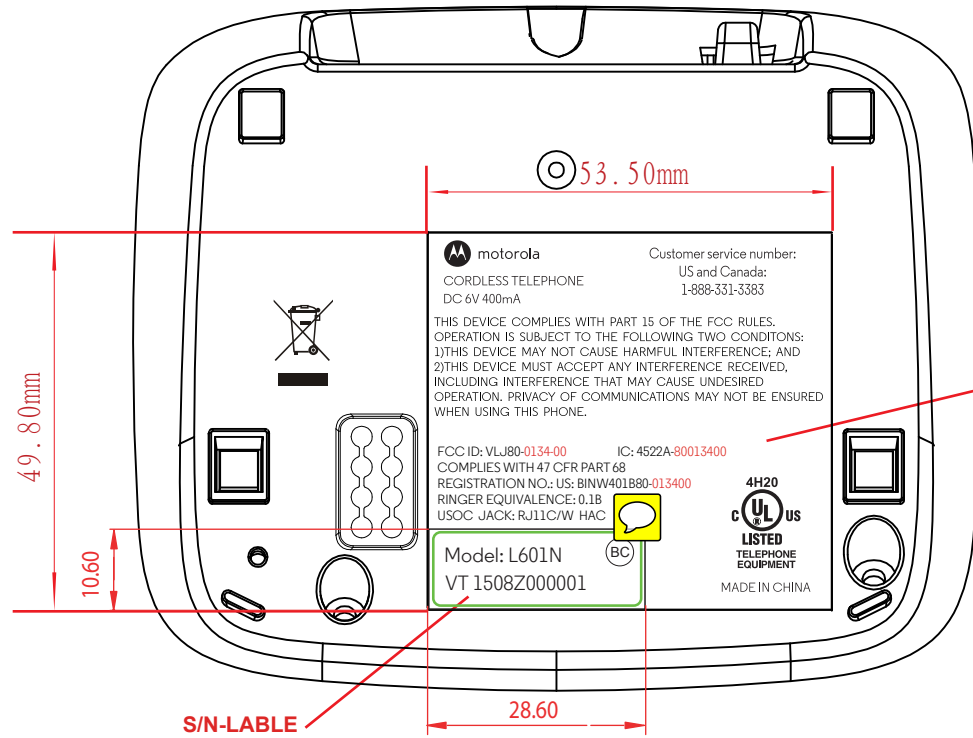


L60XN low cost slb base engraving

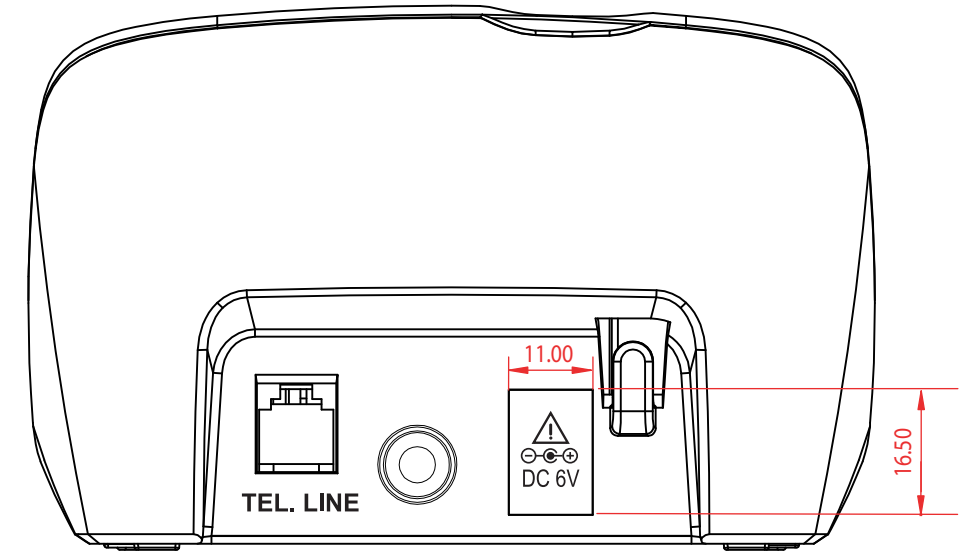
30-011819-000-170 for American Version

Only revise FCC No. and IC No. ,

Other is same as 30-011819-000-160



Text: Recessed
 0.3mm High Gloss
 Background:
 Textured



TEL. LINE



Engraving Text
 Raised 0.3mm

Engraving Text
 Raised 0.3mm

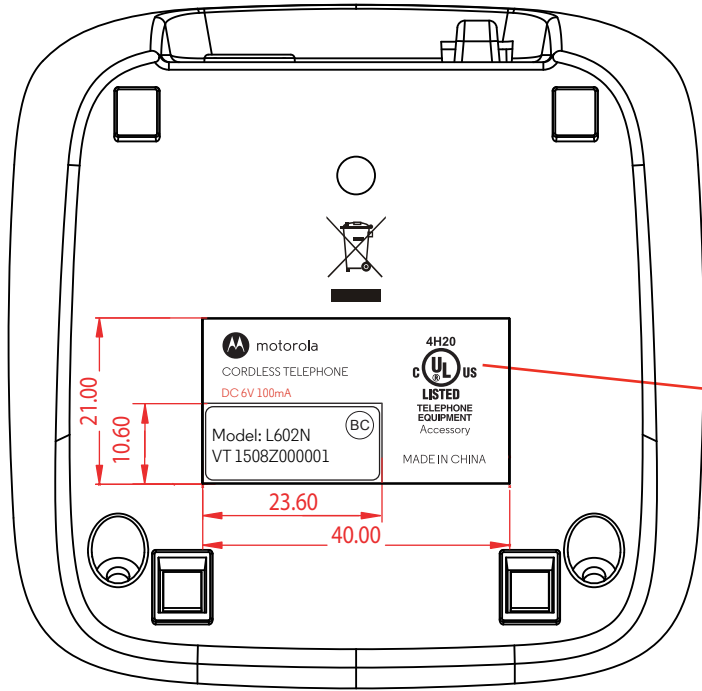


BS SN LABEL:
 SIZE: 27.5*9.7mm R1

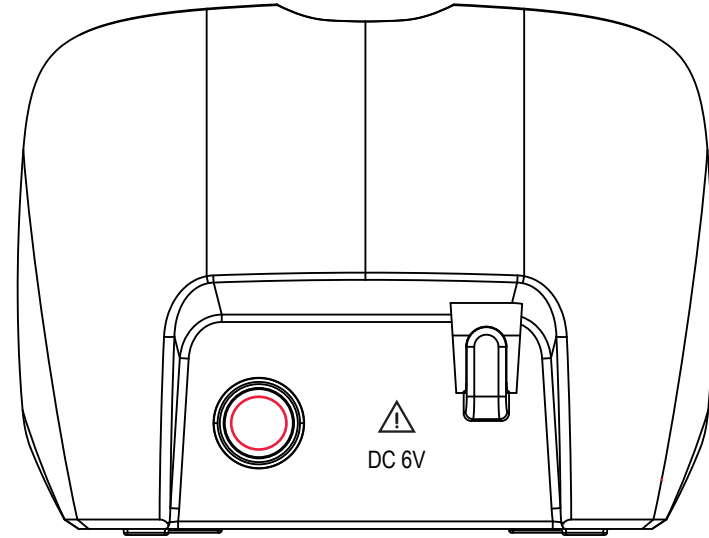
L60XN low cost Charger engraving

30-011812-000-180 for American Version

only change 'DC 6V 300mA to DC 6V 100mA', others same as -170.



Text: Recessed
0.3mm High Gloss
Background:
Textured



DC 6V

**Engraving Text
Raised 0.3mm**

Model: L602N (BC)
VT 1308Z000001

Model: L603N (BC)
VT 1308Z000001

Model: L604N (BC)
VT 1308Z000001

Model: L605N (BC)
VT 1308Z000001

Model: L6N (BC)
VT 1308Z000001

S/N LABEL
23X9.7mm R1

L60XN HS REAR Engraving

30-012590-000-190 for American Version

Revise FCC No. and IC No.

