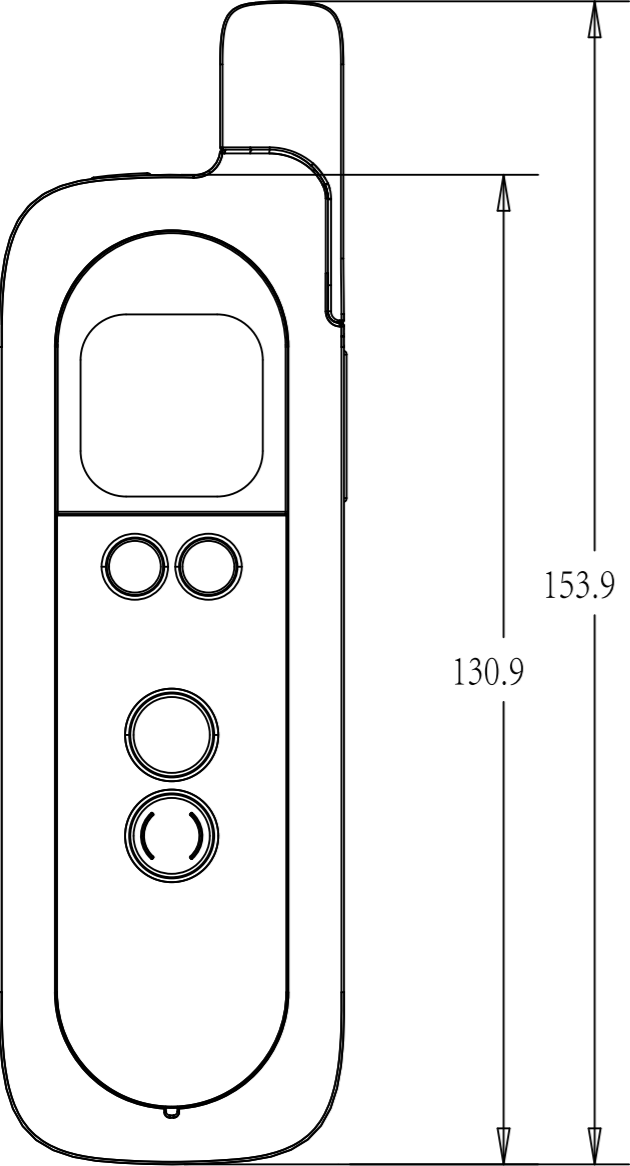


# SCOUTTRAINER25TU Label & Silkscreen & Emboss information

Ver : 1.5  
 Date: 22-Oct-2014  
 Prepared by: Wing Chan  
 Check: Peter

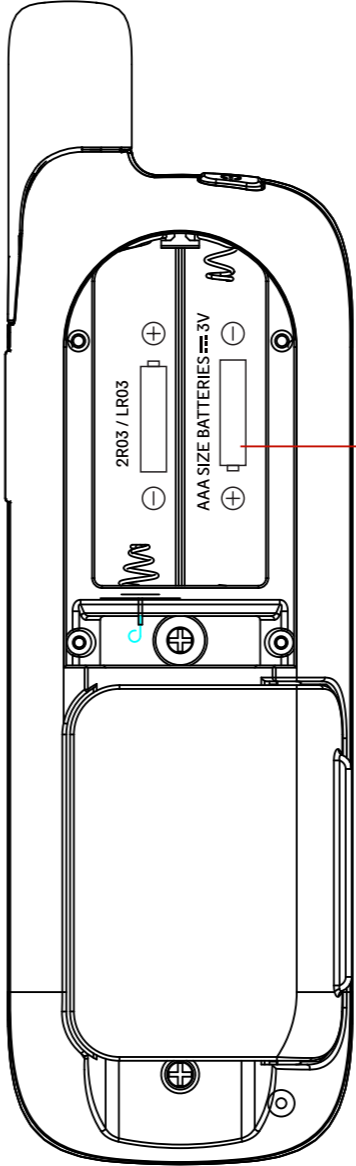
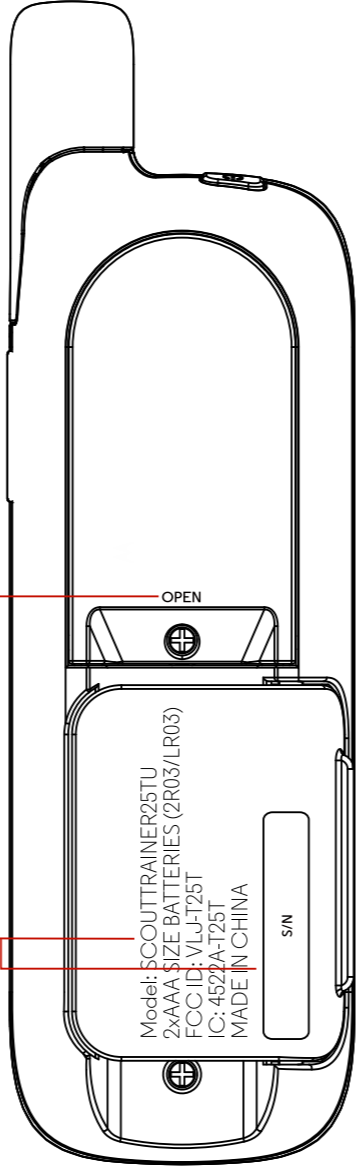


EMBOSS:  
 Size:5.1X1.4mm

OPEN

**Laser:**  
 Model: SCOUTTRAINER25TU  
 2xAAA SIZE BATTERIES (2R03/LR03)  
 FCC ID: VLJ-T25T  
 IC: 4522A-T25T  
 MADE IN CHINA

S/N



EMBOSS:  
 Size:25X17.5mm

2R03 / LR03

AAA SIZE BATTERIES 3V

EMBOSS

Model: SCOUTTRAINER25TU  
 2xAAA SIZE BATTERIES (2R03/LR03)  
 FCC ID: VLJ-T25T  
 IC: 4522A-T25T  
 MADE IN CHINA

S/N