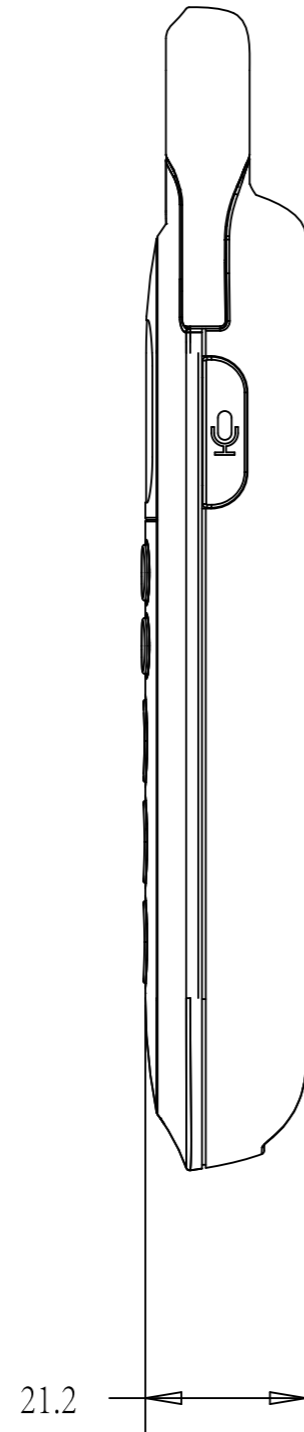
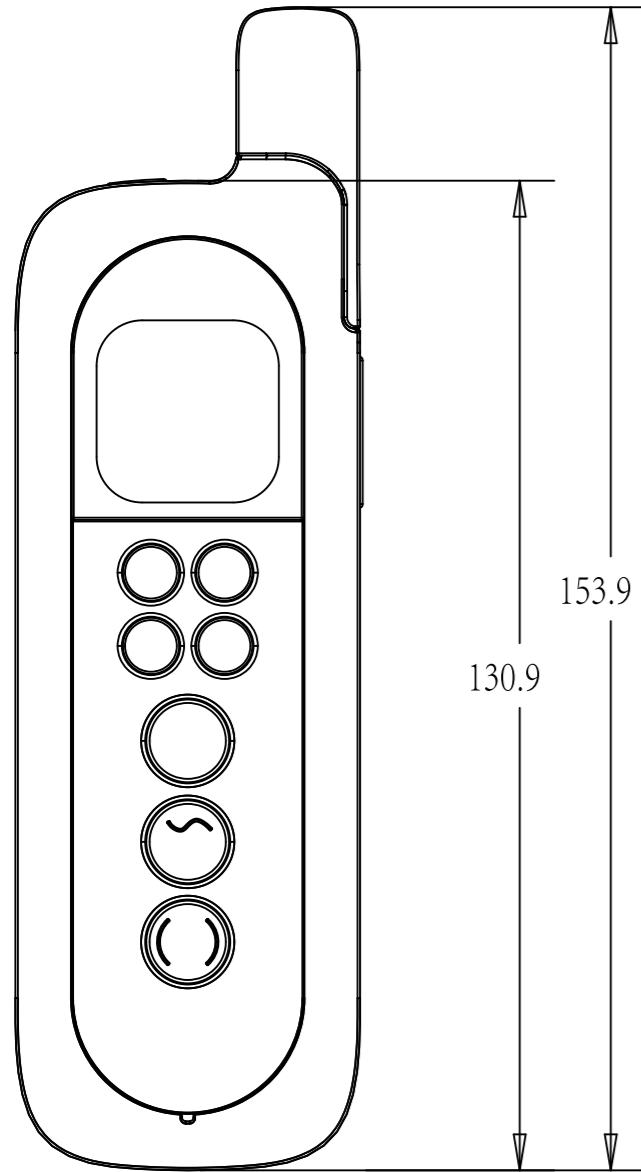


SCOUTRAINER100 Label & Silkscreen & Emboss information

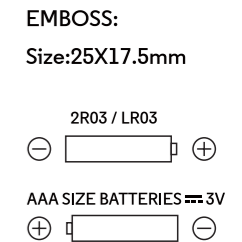
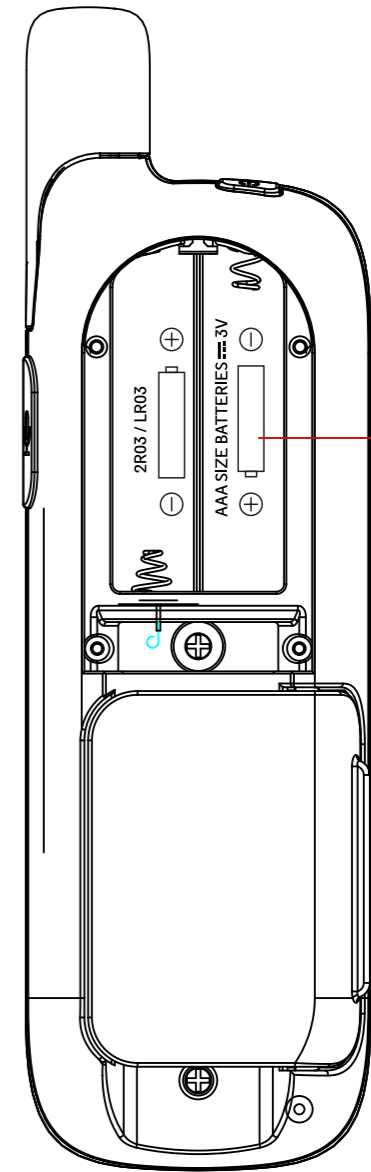
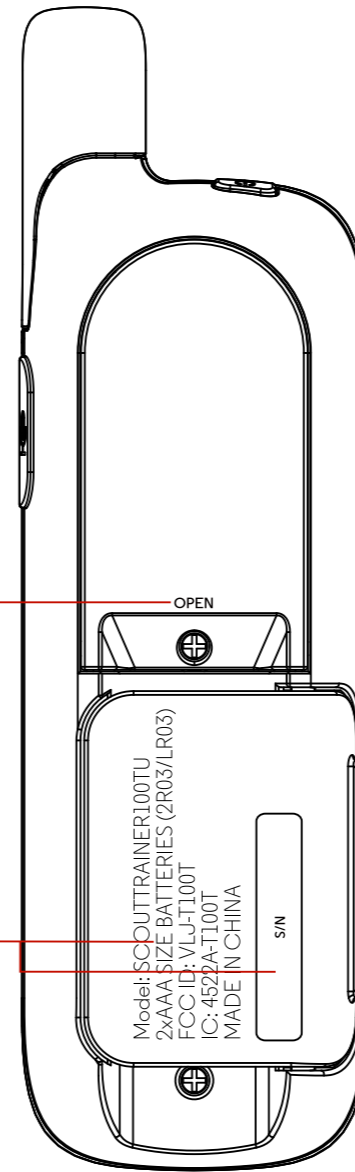
Ver : 1.7
 Date: 17-Oct-2014
 Prepared by: Wing Chan
 Check: Peter



Laser:
 Model: SCOUTRAINER100TU
 2xAAA SIZE BATTERIES (2R03/LR03)
 FCC ID: VLJ-T100T
 IC: 4522A-T100T
 MADE IN CHINA

EMBOSS:
 Size: 5.1X1.4mm

Laser:
 Model: SCOUTRAINER100TU
 2xAAA SIZE BATTERIES (2R03/LR03)
 FCC ID: VLJ-T100T
 IC: 4522A-T100T
 MADE IN CHINA



EMBOSS