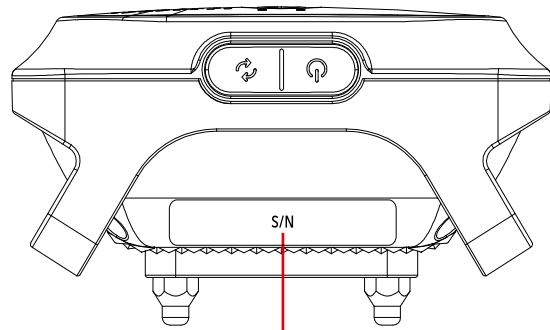
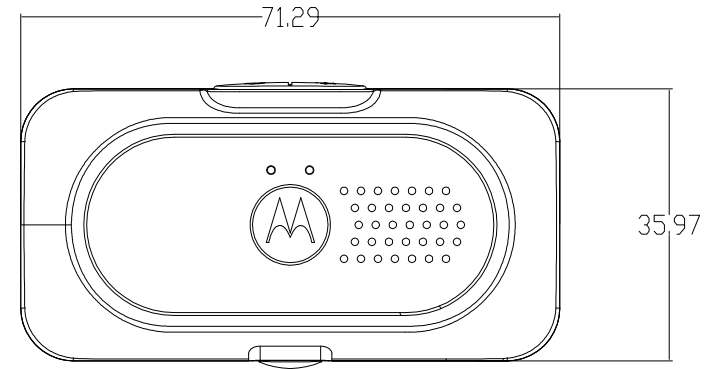
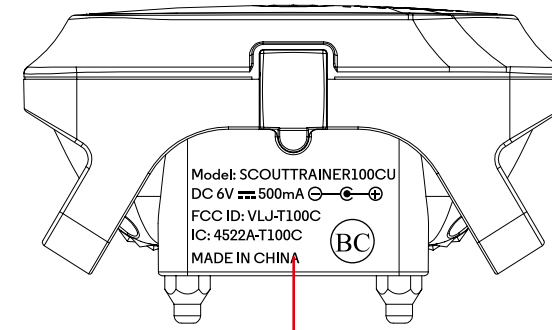
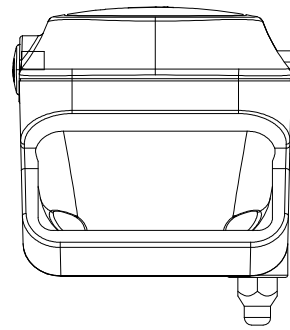
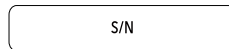


# SCOUTTRAINER100 Label & Silkscreen & Emboss information

Ver : 1.6  
Date: 17-Oct -2014  
Prepared by: Wing Chan  
Check: Peter



Laser:  
Size:1:1,30X6mm



Laser:  
Size:1:1, 21X15mm

Model: SCOUTTRAINER100CU  
DC 6V  $\text{---}$  500mA  $\ominus$   $\oplus$   
FCC ID: VLJ-T100C  
IC: 4522A-T100C  
MADE IN CHINA 