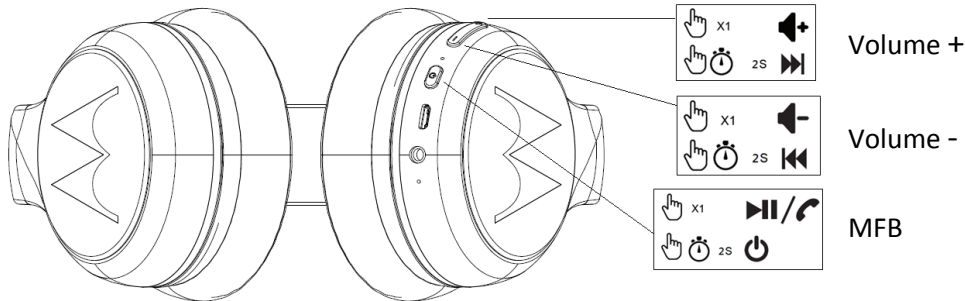


Bluetooth headphone SH057

1 Pairing:

1. Hold MFB for 4 seconds
2. Select "Escape 220" from the smartphone Bluetooth menu.

2 Basic Operation:



3 Charging

Fully charge before use

The device can be powered through a micro USB from any CE compliant power source that implement the European interface as requested by EN 301 489-52.

Additional Operation	
Power On	Hold MFB for 2 seconds from OFF status
Force Pairing	Hold MFB for 4 seconds from OFF status
Power Off	Hold MFB for 2 seconds from ON status
Receive incoming call and on-hold ongoing call	Single Press MFB
Receive second incoming call and end ongoing call	Triple Press MFB
Reject a call	Hold Vol- for 2 seconds
Voice Command (Siri/Google/Alexa)	Double Press MFB (Only available in standby mode)

LED Indicator	
Pairing	Red-blue flash
Standby	Blue flash
Charging	Red steady
Full charged	Blue steady
Battery low	Red flash

FCC Warning Statement

Changes or modifications not expressly approved by the party responsible for compliance could void the user's authority to operate the equipment. This equipment has been tested and found to comply with the limits for a Class B digital device, pursuant to Part 15 of the FCC Rules. These limits are designed to provide reasonable protection against harmful interference in a residential installation. This equipment generates uses and can radiate radio frequency energy and, if not installed and used in accordance with the instructions, may cause harmful interference to radio communications. However, there is no guarantee that interference will not occur in a particular installation. If this equipment does cause harmful interference to radio or television reception, which can be determined by turning the equipment off and on, the user is encouraged to try to correct the interference by one or more of the following measures:

- - Reorient or relocate the receiving antenna.
- - Increase the separation between the equipment and receiver.
- - Connect the equipment into an outlet on a circuit different from that to which the receiver is connected.
- - Consult the dealer or an experienced radio/TV technician for help.

This device complies with part 15 of the FCC Rules. Operation is subject to the following two conditions: (1) This device may not cause harmful interference, and (2) this device must accept any interference received, including interference that may cause undesired operation.