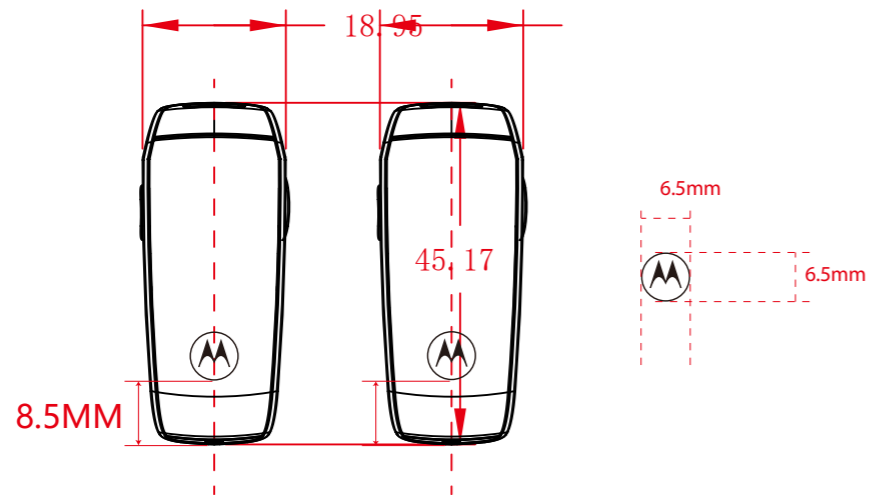




6.5MM

12.11MM  
16.467MM  
IC: 4522A-MH002W  
FCC ID: VJL-MH002W  
Model: MH002 W  
MADE IN CHINA



pantone 10077C