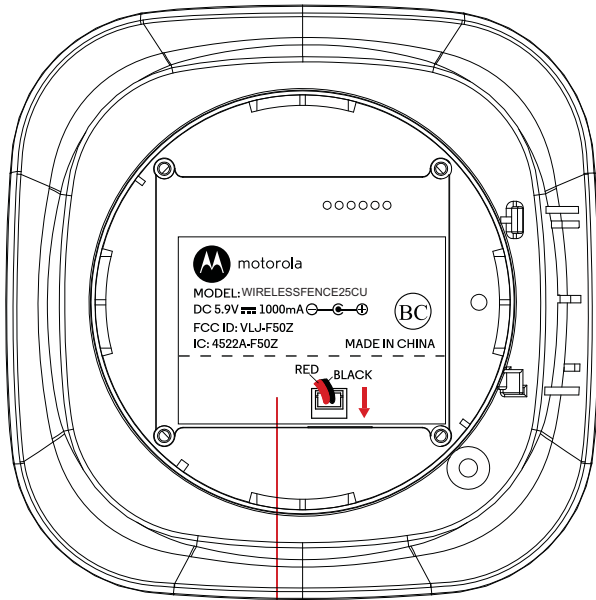


WIRELESSFENCE25ZU Label & Silkscreen & Emboss information

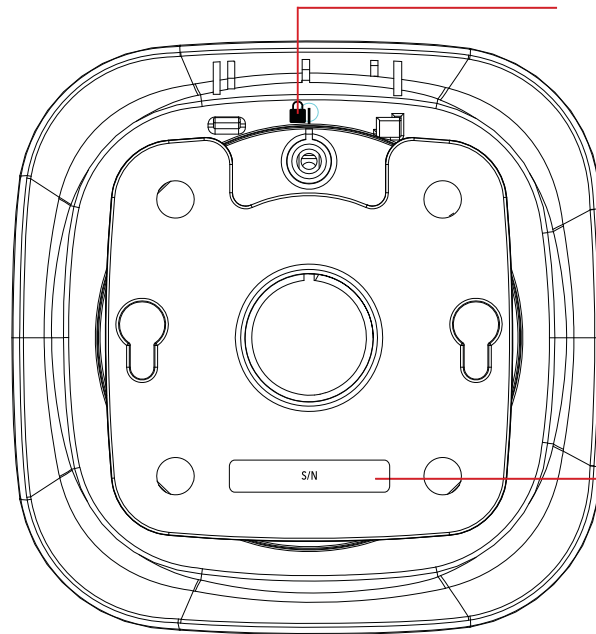
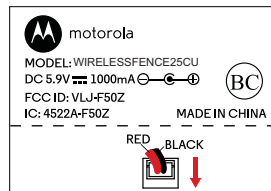
Ver : 1.1
Date: 20-Oct-2014
Prepared by: Wing Chan
Check: Peter

The battery door close

The battery door open



Label:
Size:1,150X35mm



EMBOSS:

Laser:
Size:1,1,30X6mm

