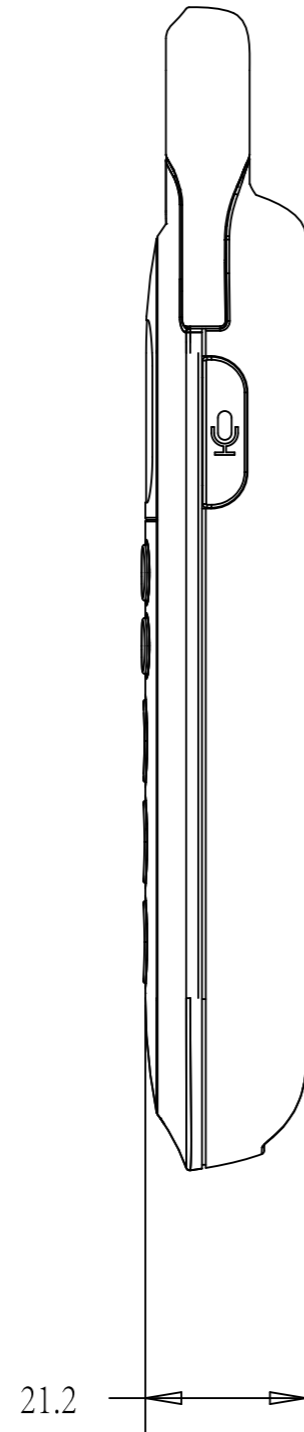
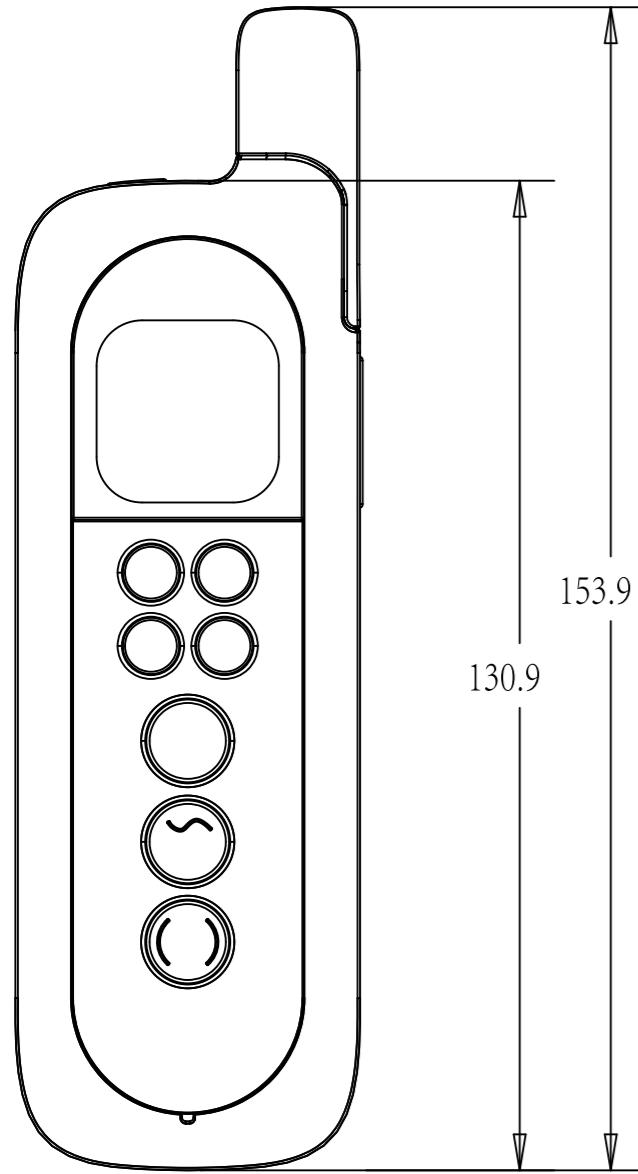


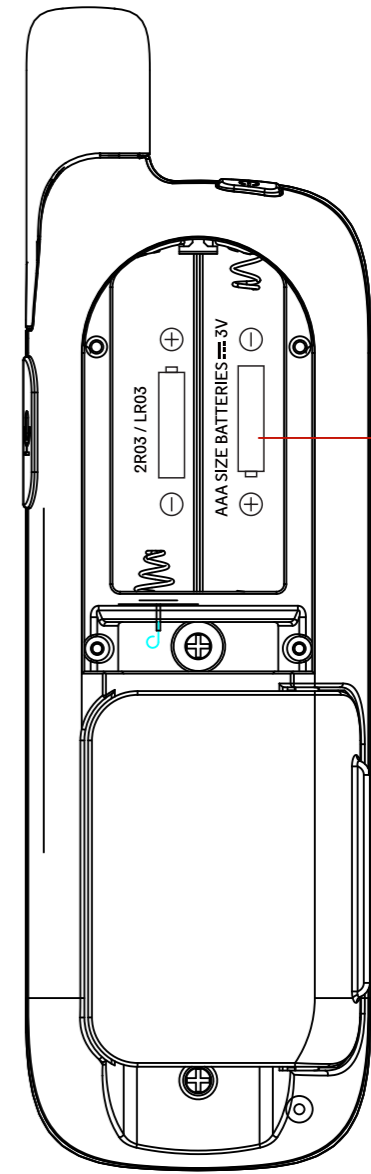
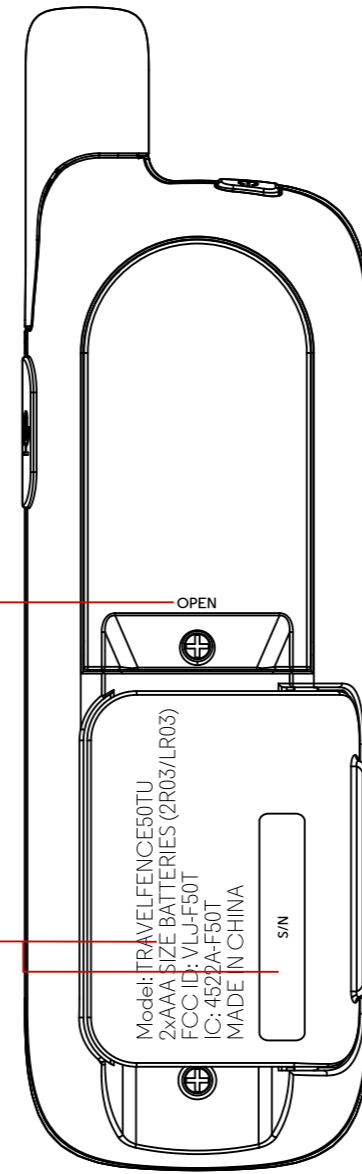
# TRAVELFENCE50TU Label & Silkscreen & Emboss information

Ver : 1.2  
 Date: 17-Oct-2014  
 Prepared by: Wing Chan  
 Check: Peter



**Laser:**  
 Model: TRAVELFENCE50TU  
 2xAAA SIZE BATTERIES (2R03/LR03)  
 FCC ID: VLJ-F50T  
 IC: 4522A-F50T  
 MADE IN CHINA

**EMBOSS:**  
 Size: 5.1X1.4mm



**EMBOSS:**  
 Size: 25X17.5mm

2R03 / LR03

AAA SIZE BATTERIES 3V