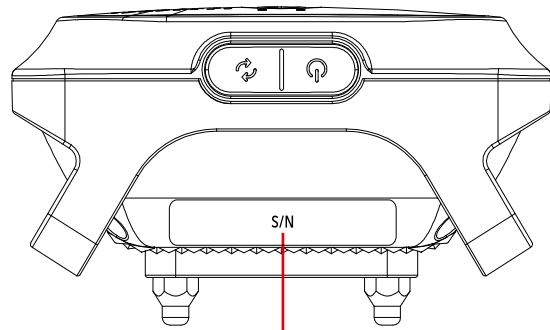
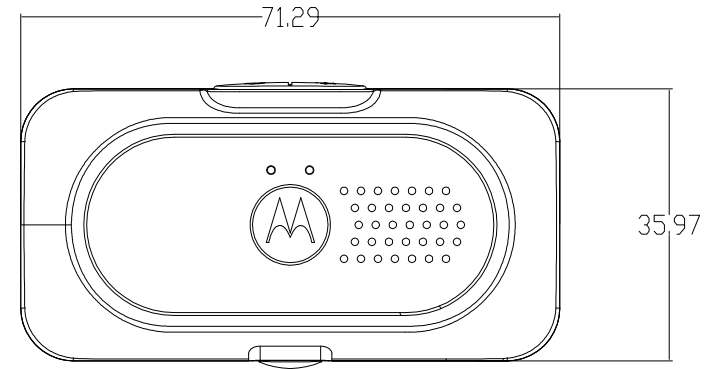
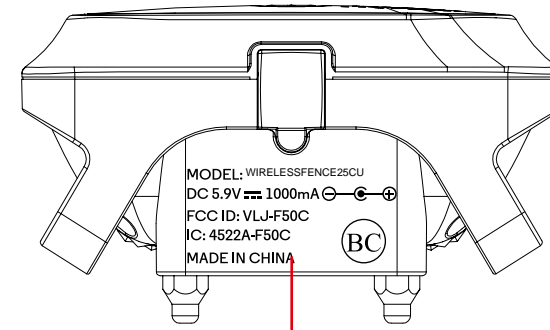
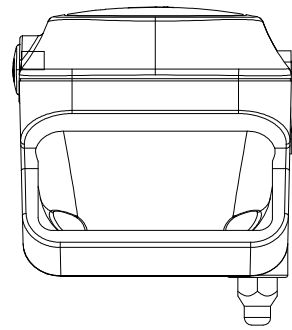
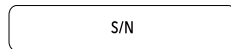


WIRELESSFENCE25CU Label & Silkscreen & Emboss information

Ver : 1.1
 Date: 20-Oct -2014
 Prepared by: Wing Chan
 Check: Peter



Laser:
 Size:1:1,30X6mm



Laser:
 Size:1:1, 21X15mm

Model: WIRELESSFENCE25CU
 DC 5.9V \equiv 1000mA \ominus \oplus
 FCC ID: VLJ-F50C
 IC: 4522A-F50C
 MADE IN CHINA 