

6

5

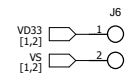
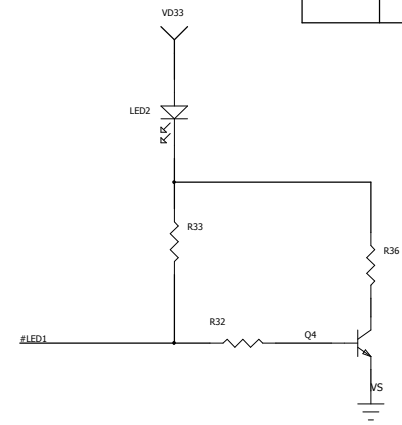
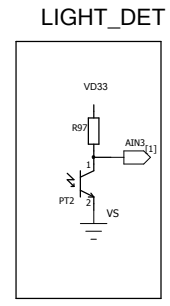
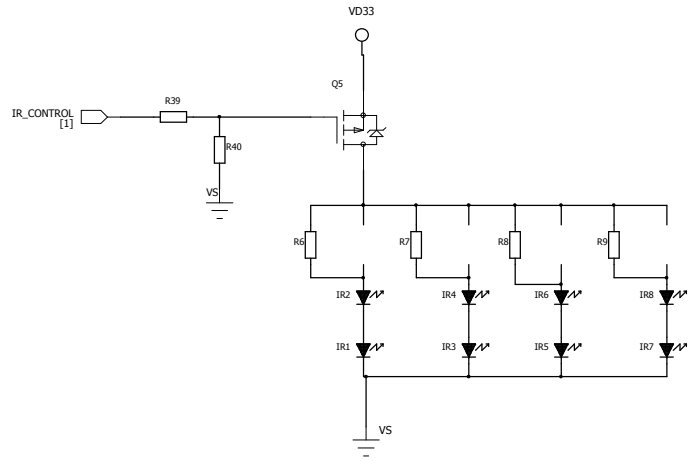
4

3

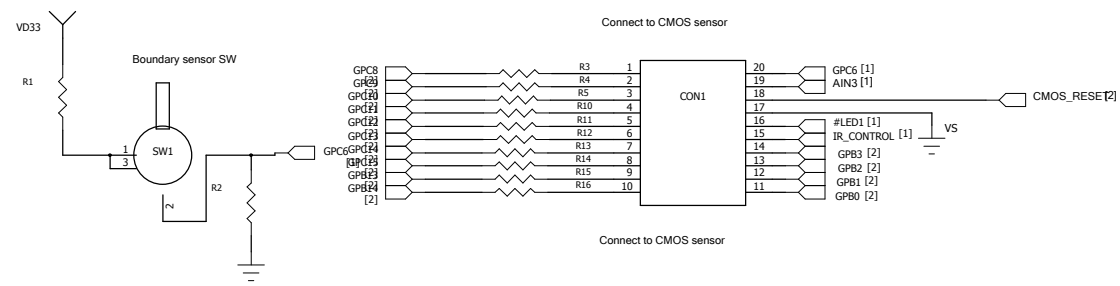
2

1

REVISION RECORD			
LTR	ECO NO:	APPROVED:	DATE:



Connect to CMOS sensor



Connect to CMOS sensor

COMPANY:			
TITLE:			
DRAWN:	DATED:	CODE:	SIZE:
CHECKED:	DATED:	DRAWING NO:	
QUALITY CONTROL:	DATED:	REV:	
RELEASED:	DATED:	SCALE:	
SHEET: 2			2

D

C

B

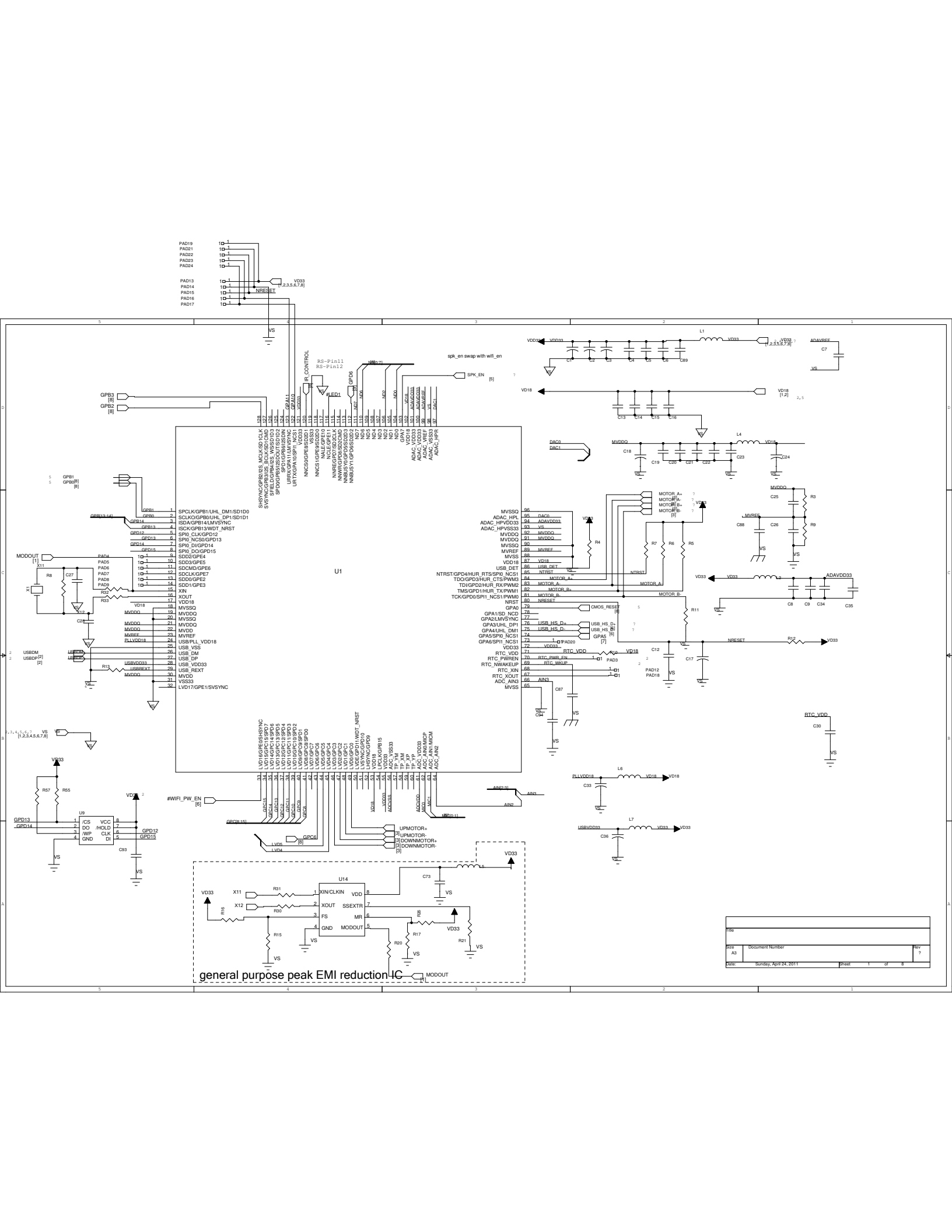
A

D

C

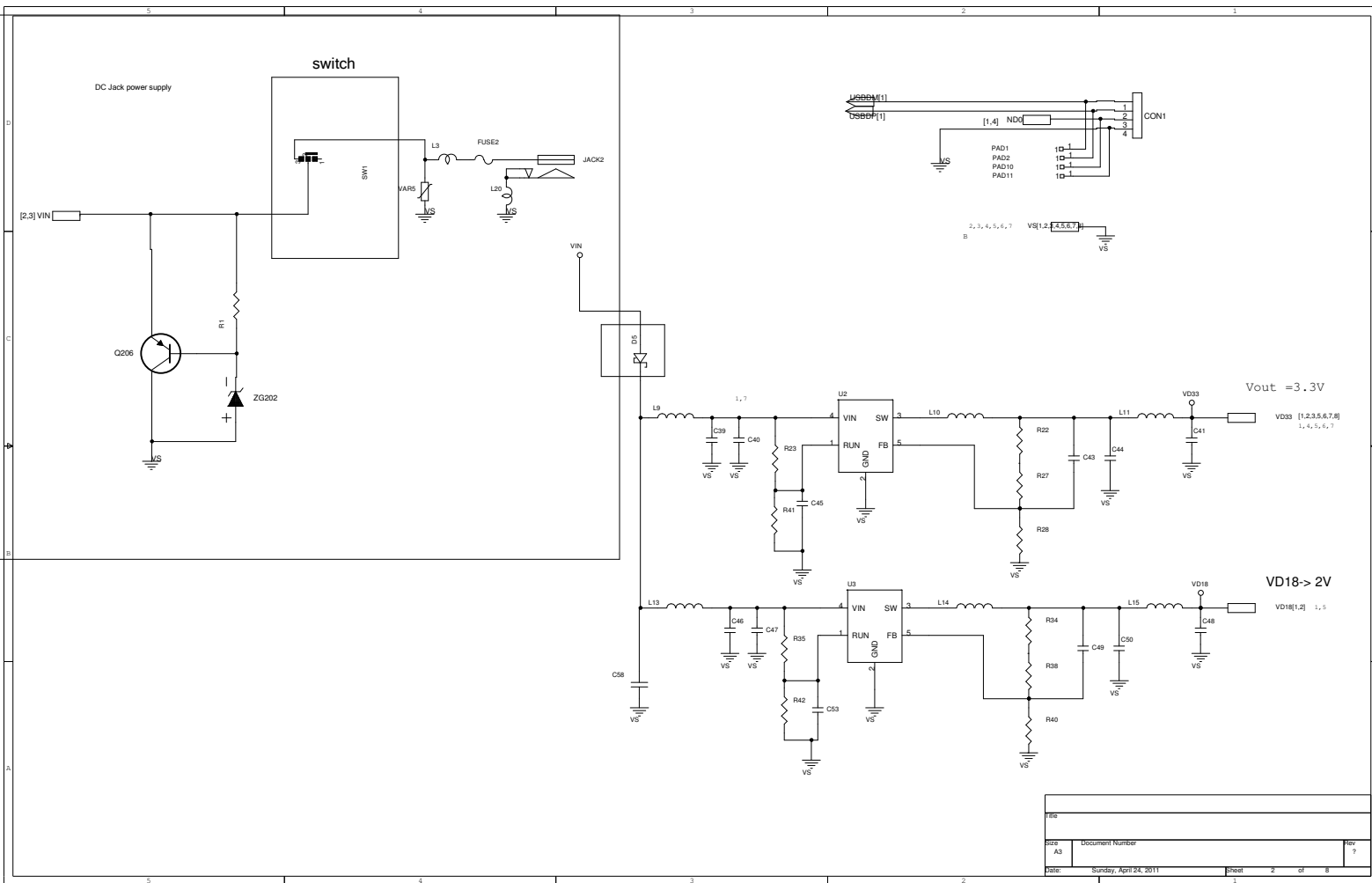
B

A

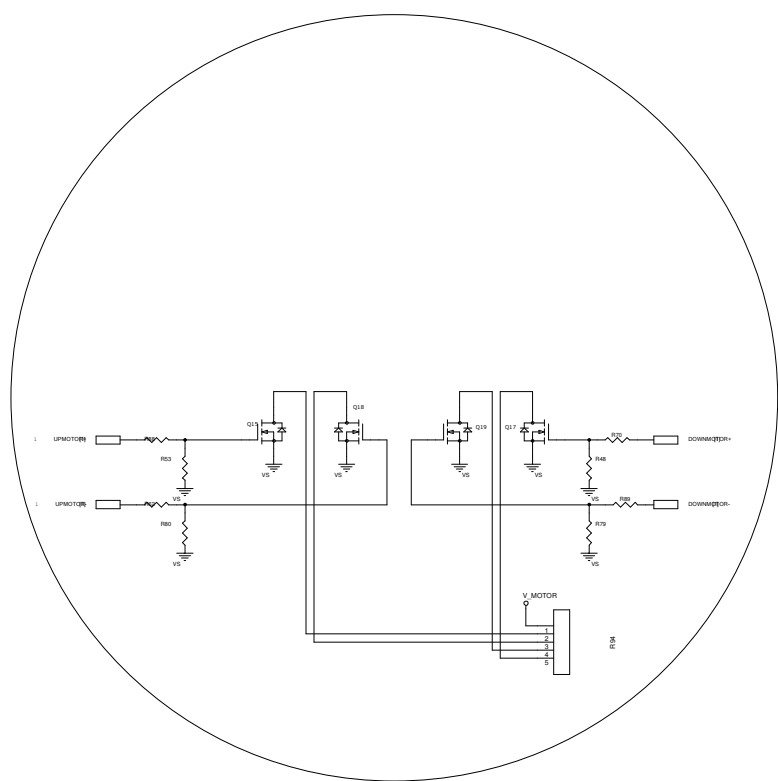
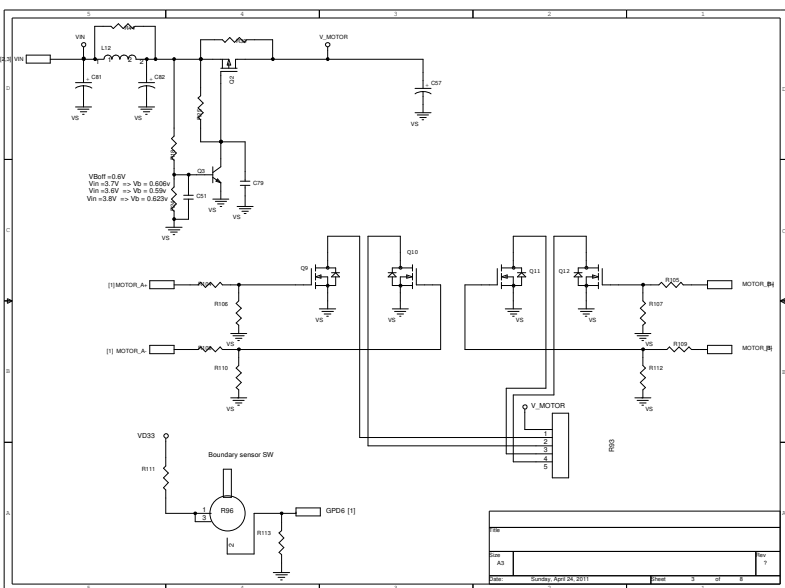


general purpose peak EMI reduction IC

File	
Size	Document Number
A3	Rev 7
Date	Sunday, April 24, 2011 Sheet 1 of 8

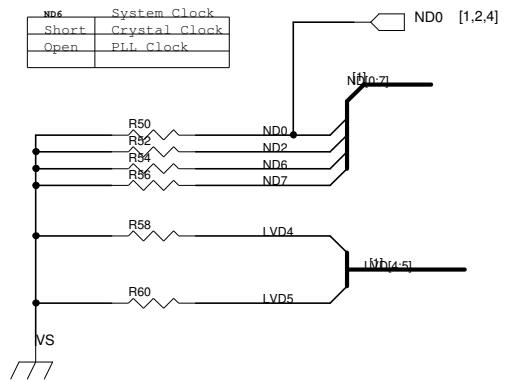


Title		
Size	Document Number	Rev
A3		7
Date:	Sunday, April 24, 2011	Sheet 2 of 8



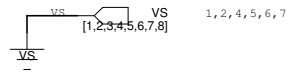
ND7	NAND_Cycle
Short	4
Open	5

ND6	System_Clock
Short	Crystal_Clock
Open	PLL_Clock

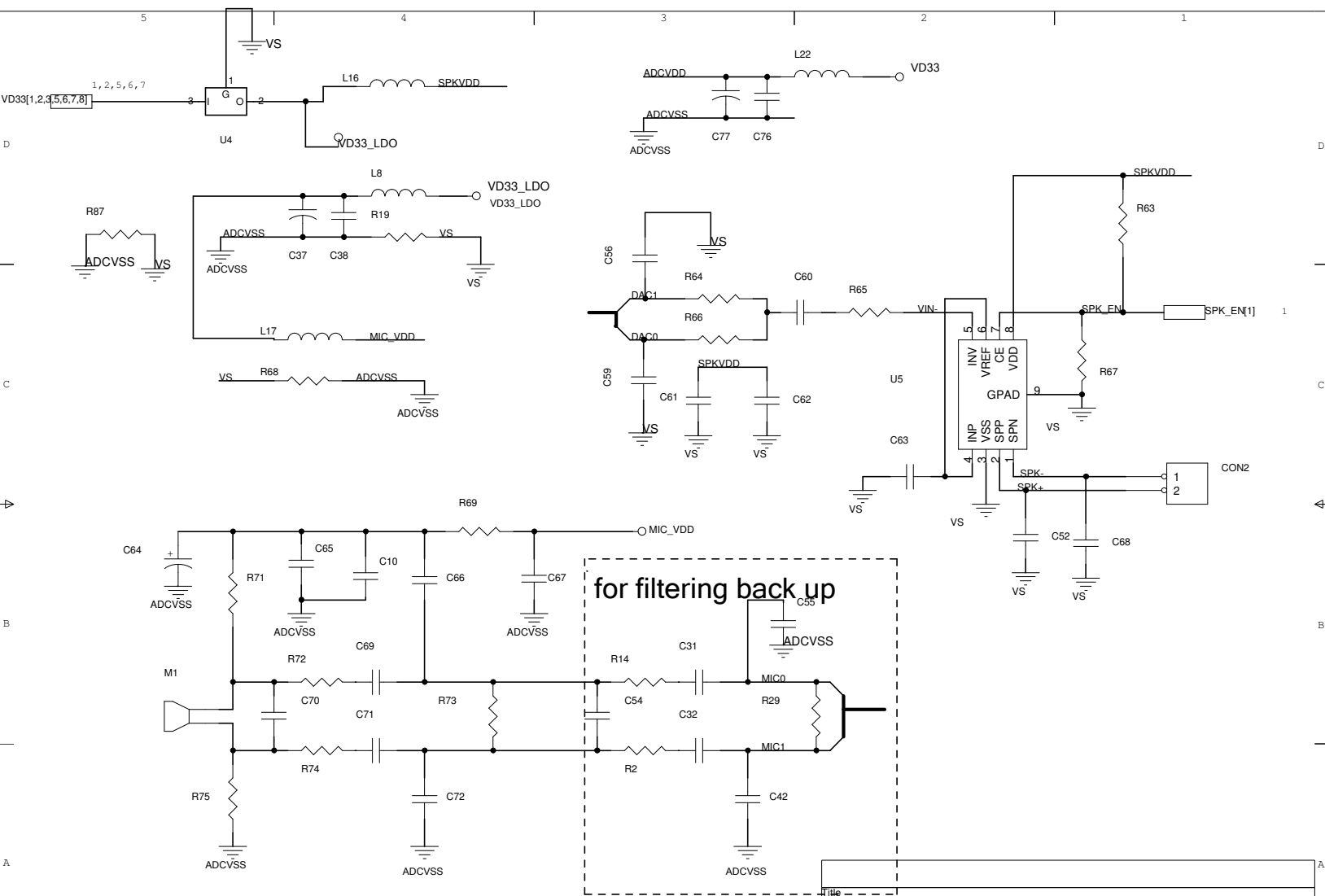


LVD5	LVD4	NAND_Page_Size
Short	Short	2KB
Short	Open	4KB
Open	Short	8KB
Open	Open	None

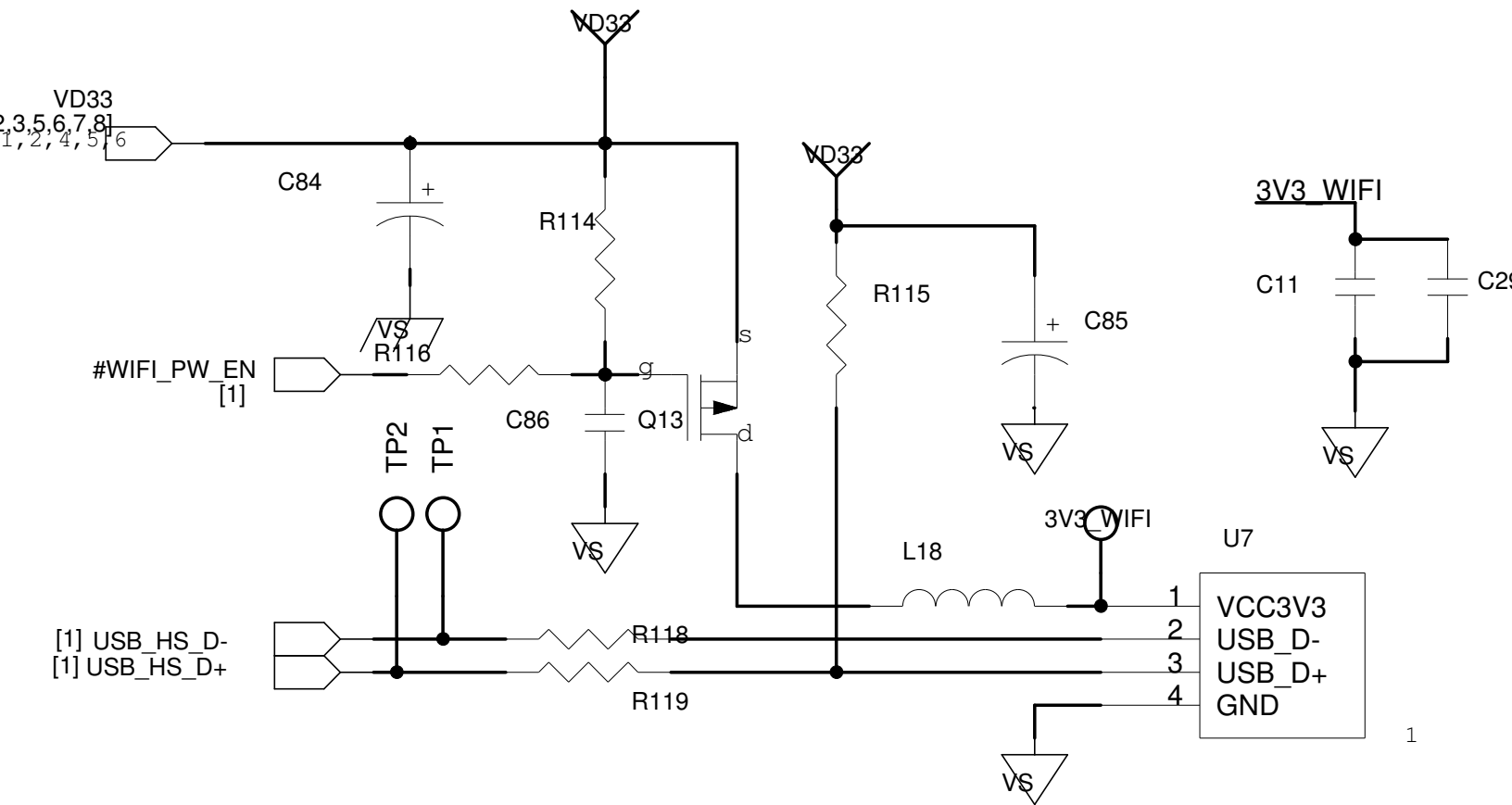
ND2	ND0	Note
Open	Short	Rec.27MHz crystal
Open	Open	Nor.27MHz crystal



Title		
Size A3	Document Number	Rev ?
Date:	Sunday, April 24, 2011	Sheet 4 of 8



File		
Size A3	Document Number	Rev ?
Date: Sunday, April 24, 2011	Sheet 5	of 8



6

5

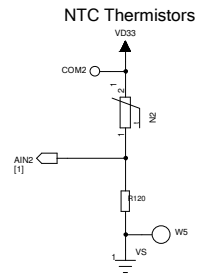
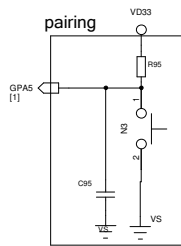
4

3

2

1

REVISION RECORD			
LTR	ECO NO:	APPROVED:	DATE:



COMPANY:			
TITLE:			
CODE:	SIZE:	DRAWING NO:	REV:
	A3		
SCALE:			SHEET: 7 of 8

DRAWN:	DATED:
CHECKED:	DATED:
QUALITY CONTROL:	DATED:
RELEASED:	DATED:

D

D

C

C

B

B

A

A

6

5

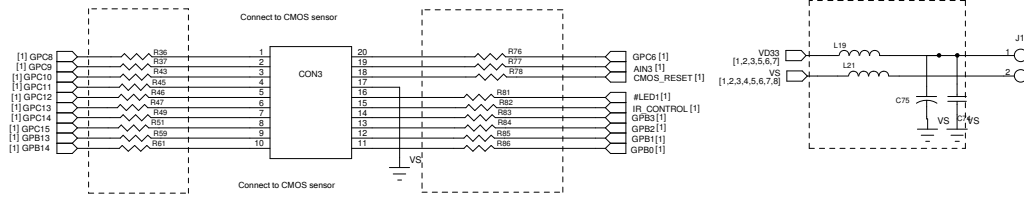
4

3

2

1

REVISION RECORD			
LTR	ECO NO.	APPROVED:	DATE:



COMPANY:			
TITLE:			
CODE:	SIZE:	DRAWING NO:	REV:
A3			
SCALE:			SHEET: 8 of 8

DRAWN:	DATED:
CHECKED:	DATED:
QUALITY CONTROL:	DATED:
RELEASED:	DATED:

D

D

C

C

B

B

A

A