

REV	DATE	DESCRIPTION	ENGINEER
A		INITIAL RELEASE	
B			
C			
D			

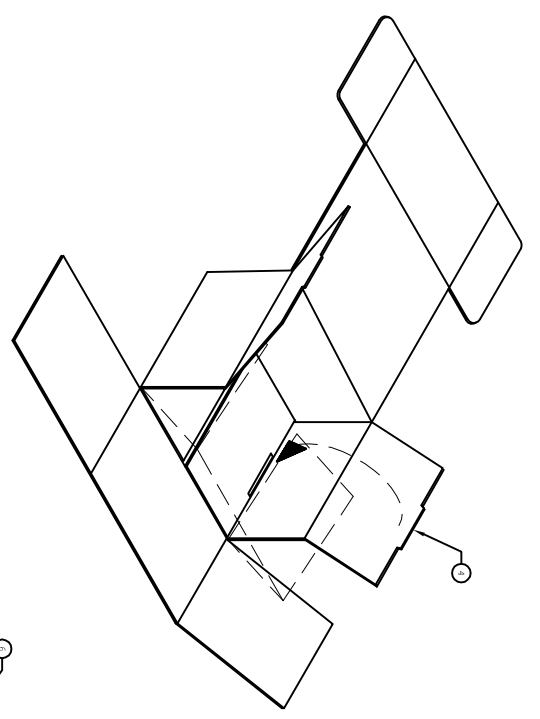


ILLUSTRATION B
 ▲▲ ASSEMBLY OF BOX

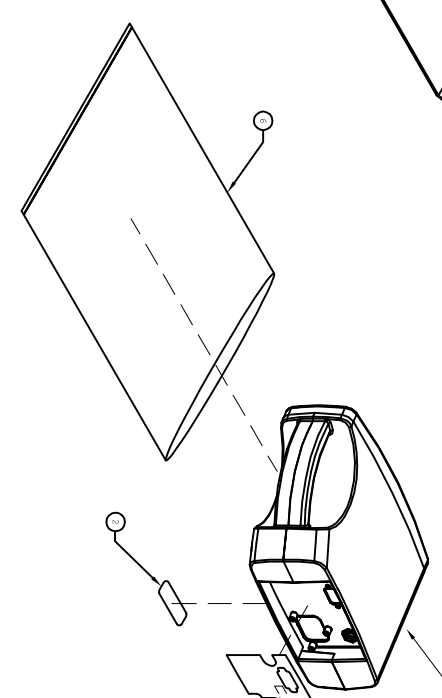
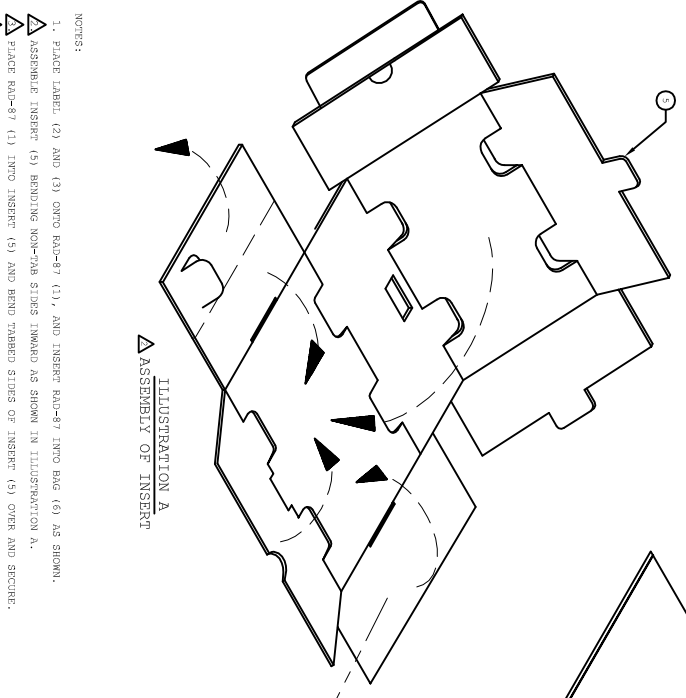
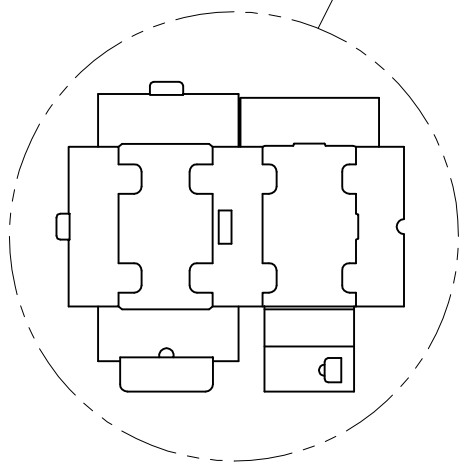


ILLUSTRATION A
 ▲ ASSEMBLY OF INSERT



RECEIVING INSERT INTO STOCK FLAT
 INSERTS



- NOTES:
1. PLACE LABEL (2) AND (3) ONTO RAD-87 (1), AND INSERT RAD-87 INTO BAG (6) AS SHOWN.
 2. ASSEMBLE INSERT (5) BRINDING NON-TAB SIDES INWARD AS SHOWN IN ILLUSTRATION A.
 3. PLACE RAD-87 (1) INTO INSERT (5) AND BEND TABBED SIDES OF INSERT (5) OVER AND SECURE.
 4. ASSEMBLE BOX (4) AS SHOWN IN ILLUSTRATION B.
 5. BEND SIDES INWARD TO THE BOX (4) SECURING WITH THE TABBED SIDE DOWN AND SECURE IN SLOT.
 6. STAMP DATE CODE ON REAR PANEL LABEL (3), APPROXIMATELY IN LOCATION SHOWN.
 7. PRINT PART NUMBER LABEL (9) ONTO LABEL SHEET (8).
 8. PLACE ONE LABEL FROM SHEET (8) ONTO BOX AS SHOWN. PLACE SERIAL NUMBER LABEL (7) ONTO P/N LABEL (8) IN AREA SPECIFIED ON P/N LABEL.

CONFIDENTIAL

ITEM#	DESCRIPTION	PART NUMBER QTY
1	ASSEMBLY, RAD-87, HORIZONTAL	1
2	BAG, FSC RATE IS STATEMENT	1
3	ASSEMBLY, GERTIFICATION, FSC, U.S., RAD-87	11989
4	BOX, SHIPPING, RADICAL DOCKING STATION	1
5	BOX, SHIPPING, RADICAL DOCKING STATION	11636
6	BAG, SHIPPING, FSC, U.S., 12" X 16"	50304
7	LABEL, RAD-87, SERIAL NUMBER, 4-DIGIT	50304
8	LABEL, AVENG 5160, 1" X 2-3/8" (SHEET OF 30)	PTW-1332
9	BOX LABEL, PART NUMBER/SERIAL NUMBER, CONF-G, KETS	REF

DATE	03/13/07
TIME	
BY	
NO	NO
ASSEMBLY, BOXED, RAD-87, HORIZONTAL	
DATE	
TIME	
BY	
NO	

DATE	03/13/07
TIME	
BY	
NO	NO
ASSEMBLY, BOXED, RAD-87, HORIZONTAL	
DATE	
TIME	
BY	
NO	

DATE	03/13/07
TIME	
BY	
NO	NO
ASSEMBLY, BOXED, RAD-87, HORIZONTAL	
DATE	
TIME	
BY	
NO	

DATE	03/13/07
TIME	
BY	
NO	NO
ASSEMBLY, BOXED, RAD-87, HORIZONTAL	
DATE	
TIME	
BY	
NO	

DATE	03/13/07
TIME	
BY	
NO	NO
ASSEMBLY, BOXED, RAD-87, HORIZONTAL	
DATE	
TIME	
BY	
NO	

DATE	03/13/07
TIME	
BY	
NO	NO
ASSEMBLY, BOXED, RAD-87, HORIZONTAL	
DATE	
TIME	
BY	
NO	

DATE	03/13/07
TIME	
BY	
NO	NO
ASSEMBLY, BOXED, RAD-87, HORIZONTAL	
DATE	
TIME	
BY	
NO	

DATE	03/13/07
TIME	
BY	
NO	NO
ASSEMBLY, BOXED, RAD-87, HORIZONTAL	
DATE	
TIME	
BY	
NO	

DATE	03/13/07
TIME	
BY	
NO	NO
ASSEMBLY, BOXED, RAD-87, HORIZONTAL	
DATE	
TIME	
BY	
NO	

DATE	03/13/07
TIME	
BY	
NO	NO
ASSEMBLY, BOXED, RAD-87, HORIZONTAL	
DATE	
TIME	
BY	
NO	

DATE	03/13/07
TIME	
BY	
NO	NO
ASSEMBLY, BOXED, RAD-87, HORIZONTAL	
DATE	
TIME	
BY	
NO	

DATE	03/13/07
TIME	
BY	
NO	NO
ASSEMBLY, BOXED, RAD-87, HORIZONTAL	
DATE	
TIME	
BY	
NO	

DATE	03/13/07
TIME	
BY	
NO	NO
ASSEMBLY, BOXED, RAD-87, HORIZONTAL	
DATE	
TIME	
BY	
NO	

DATE	03/13/07
TIME	
BY	
NO	NO
ASSEMBLY, BOXED, RAD-87, HORIZONTAL	
DATE	
TIME	
BY	
NO	

DATE	03/13/07
TIME	
BY	
NO	NO
ASSEMBLY, BOXED, RAD-87, HORIZONTAL	
DATE	
TIME	
BY	
NO	

DATE	03/13/07
TIME	
BY	
NO	NO
ASSEMBLY, BOXED, RAD-87, HORIZONTAL	
DATE	
TIME	
BY	
NO	

DATE	03/13/07
TIME	
BY	
NO	NO
ASSEMBLY, BOXED, RAD-87, HORIZONTAL	
DATE	
TIME	
BY	
NO	

DATE	03/13/07
TIME	
BY	
NO	NO
ASSEMBLY, BOXED, RAD-87, HORIZONTAL	
DATE	
TIME	
BY	
NO	

DATE	03/13/07
TIME	
BY	
NO	NO
ASSEMBLY, BOXED, RAD-87, HORIZONTAL	
DATE	
TIME	
BY	
NO	

DATE	03/13/07
TIME	
BY	
NO	NO
ASSEMBLY, BOXED, RAD-87, HORIZONTAL	
DATE	
TIME	
BY	
NO	

DATE	03/13/07
TIME	
BY	
NO	NO
ASSEMBLY, BOXED, RAD-87, HORIZONTAL	
DATE	
TIME	
BY	
NO	

DATE	03/13/07
TIME	
BY	
NO	NO
ASSEMBLY, BOXED, RAD-87, HORIZONTAL	
DATE	
TIME	
BY	
NO	

DATE	03/13/07
TIME	
BY	
NO	NO
ASSEMBLY, BOXED, RAD-87, HORIZONTAL	
DATE	
TIME	
BY	
NO	

DATE	03/13/07
TIME	
BY	
NO	NO
ASSEMBLY, BOXED, RAD-87, HORIZONTAL	
DATE	
TIME	
BY	
NO	

DATE	03/13/07
TIME	
BY	
NO	NO
ASSEMBLY, BOXED, RAD-87, HORIZONTAL	
DATE	
TIME	
BY	
NO	

DATE	03/13/07
TIME	
BY	
NO	NO
ASSEMBLY, BOXED, RAD-87, HORIZONTAL	
DATE	
TIME	
BY	
NO	

DATE	03/13/07
TIME	
BY	
NO	NO
ASSEMBLY, BOXED, RAD-87, HORIZONTAL	
DATE	
TIME	
BY	
NO	

DATE	03/13/07
TIME	
BY	
NO	NO
ASSEMBLY, BOXED, RAD-87, HORIZONTAL	
DATE	
TIME	
BY	
NO	

DATE	03/13/07
TIME	
BY	
NO	NO
ASSEMBLY, BOXED, RAD-87, HORIZONTAL	
DATE	
TIME	
BY	
NO	

DATE	03/13/07
TIME	
BY	
NO	NO
ASSEMBLY, BOXED, RAD-87, HORIZONTAL	
DATE	
TIME	
BY	
NO	

DATE	03/13/07
TIME	
BY	
NO	NO
ASSEMBLY, BOXED, RAD-87, HORIZONTAL	
DATE	
TIME	
BY	
NO	

DATE	03/13/07
TIME	
BY	
NO	NO
ASSEMBLY, BOXED, RAD-87, HORIZONTAL	
DATE	
TIME	
BY	
NO	

DATE	03/13/07
TIME	
BY	
NO	NO
ASSEMBLY, BOXED, RAD-87, HORIZONTAL	
DATE	
TIME	
BY	
NO	

DATE	03/13/07
TIME	
BY	
NO	NO
ASSEMBLY, BOXED, RAD-87, HORIZONTAL	
DATE	
TIME	
BY	
NO	

DATE	03/13/07
TIME	
BY	
NO	NO
ASSEMBLY, BOXED, RAD-87, HORIZONTAL	
DATE	
TIME	
BY	
NO	

DATE	03/13/07
TIME	
BY	
NO	NO
ASSEMBLY, BOXED, RAD-87, HORIZONTAL	
DATE	
TIME	
BY	
NO	

DATE	03/13/07
TIME	
BY	
NO	NO
ASSEMBLY, BOXED, RAD-87, HORIZONTAL	
DATE	
TIME	
BY	
NO	

DATE	03/13/07
TIME	
BY	
NO	NO
ASSEMBLY, BOXED, RAD-87, HORIZONTAL	
DATE	
TIME	
BY	
NO	

DATE	03/13/07
TIME	
BY	
NO	NO
ASSEMBLY, BOXED, RAD-87, HORIZONTAL	
DATE	
TIME	
BY	
NO	

DATE	03/13/07
TIME	
BY	
NO	NO
ASSEMBLY, BOXED, RAD-87, HORIZONTAL	
DATE	
TIME	
BY	
NO	

DATE	03/13/07
TIME	
BY	
NO	NO
ASSEMBLY, BOXED, RAD-87, HORIZONTAL	
DATE	
TIME	
BY	
NO	

DATE	03/13/07
TIME	
BY	
NO	NO
ASSEMBLY, BOXED, RAD-87, HORIZONTAL	
DATE	
TIME	
BY	
NO	

DATE	03/13/07
TIME	
BY	
NO	NO
ASSEMBLY, BOXED, RAD-87, HORIZONTAL	
DATE	
TIME	
BY	
NO	

DATE	03/13/07
TIME	
BY	
NO	NO
ASSEMBLY, BOXED, RAD-87, HORIZONTAL	
DATE	
TIME	
BY	
NO	

DATE	03/13/07
TIME	
BY	
NO	NO
ASSEMBLY, BOXED, RAD-87, HORIZONTAL	
DATE	
TIME	
BY	
NO	

DATE	03/13/07
TIME	
BY	
NO	NO
ASSEMBLY, BOXED, RAD-87, HORIZONTAL	
DATE	
TIME	
BY	
NO	

DATE	03/
------	-----