

Antenna Info

Radius PPG reusable chip has below antenna –

Item	Radio Type	Manufacturer	Model Number	Peak Gain (dBi)	Description
1	Bluetooth Low Energy	N/A	N/A	1	Printed inverted-F antenna

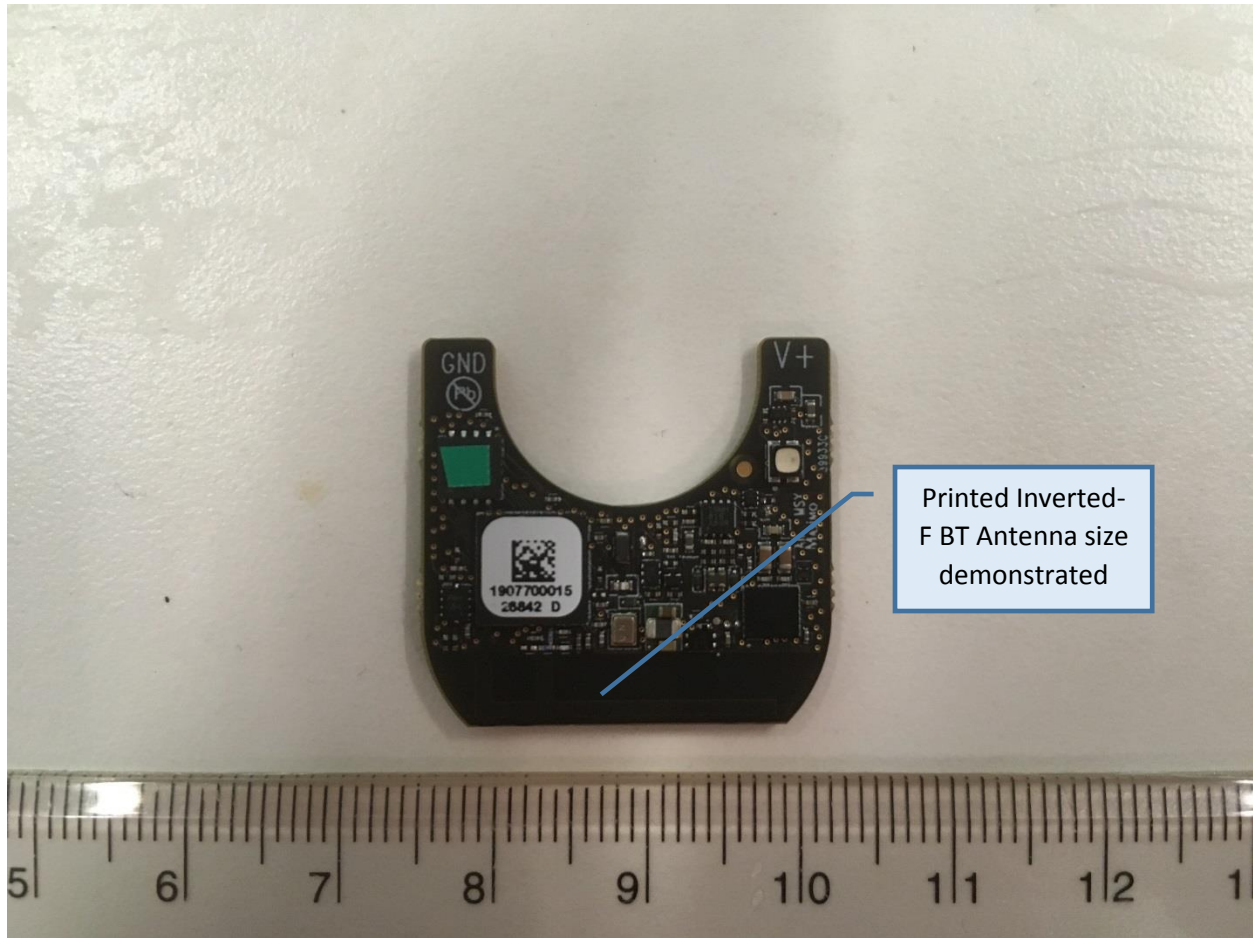


Figure 1: Bluetooth antenna located within the PCB

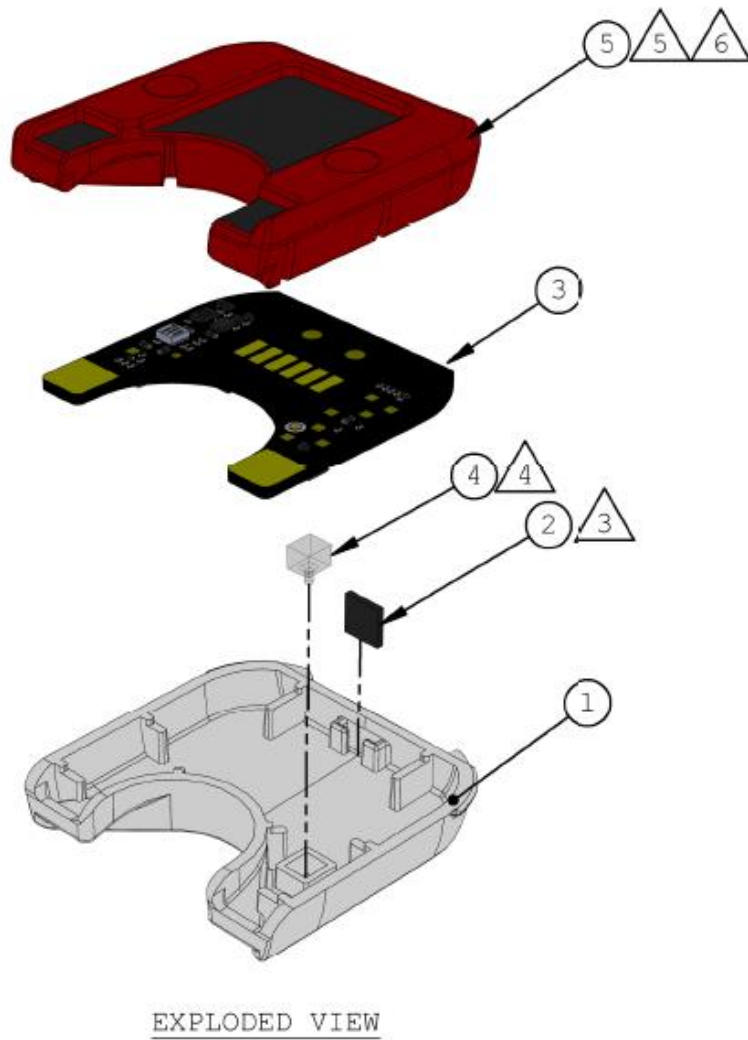


Figure 2: Assembly drawing of Radius PPG reusable chip showing item # 3 that has Bluetooth antenna located within the outer housing indicated by item #1. The antenna is permanently attached and is non-replaceable.

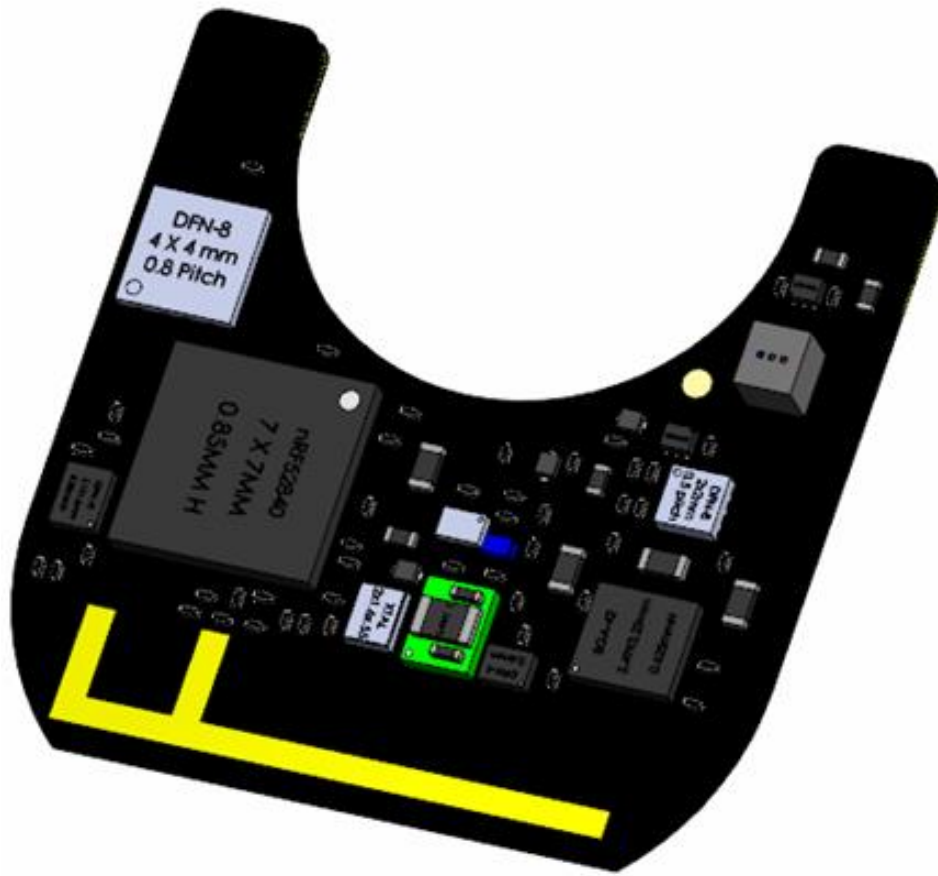


Figure 3: F-type antenna demonstrated

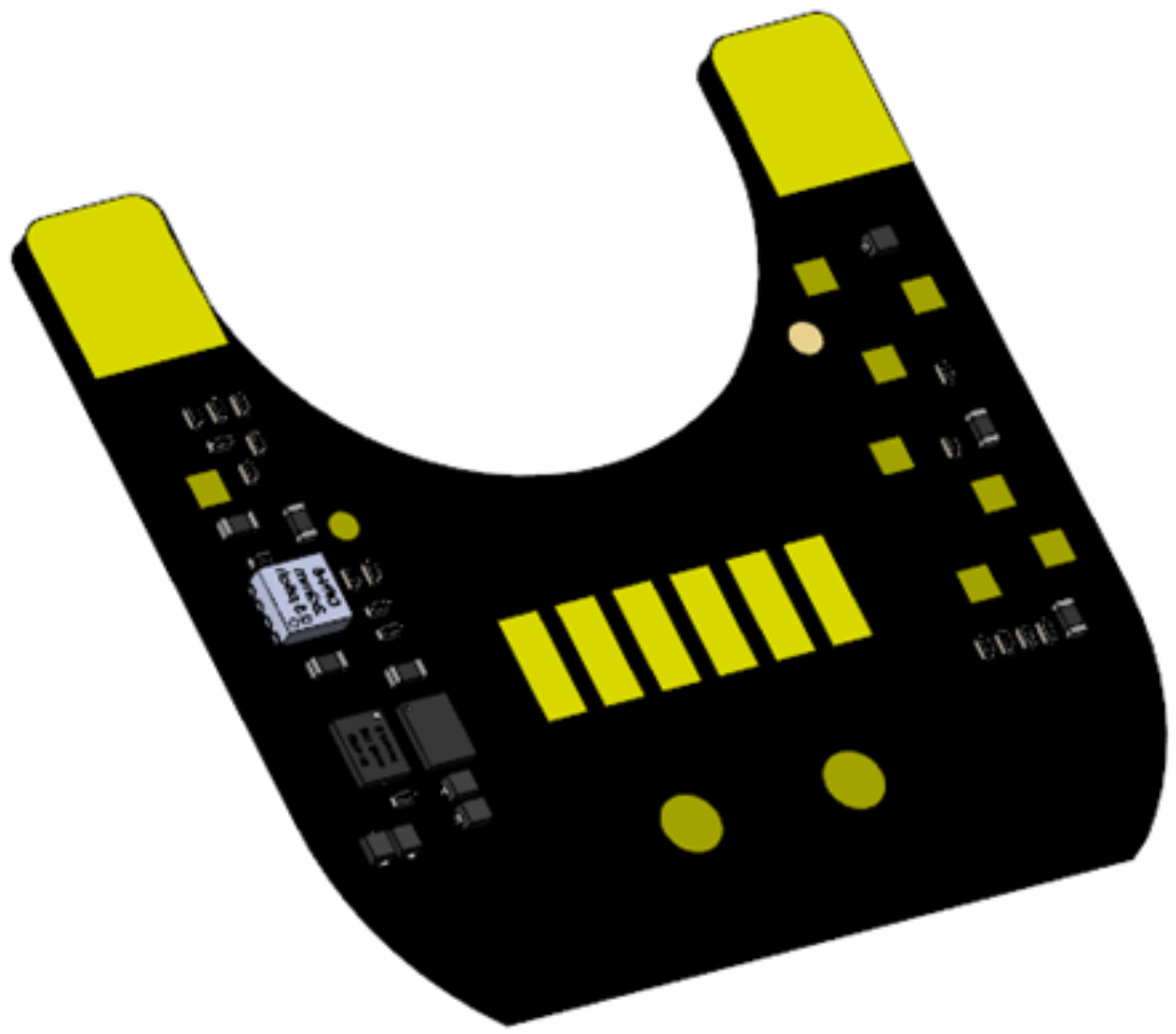


Figure 4: Other side of the chip