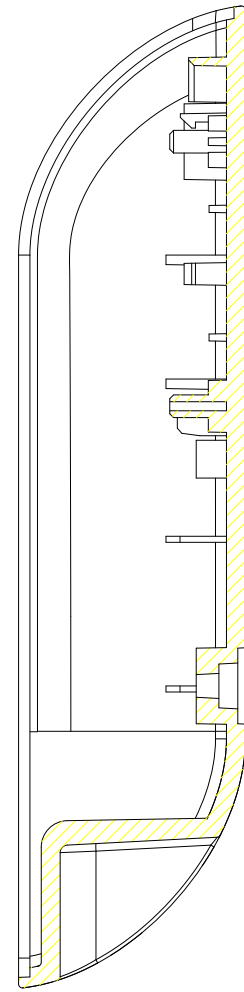
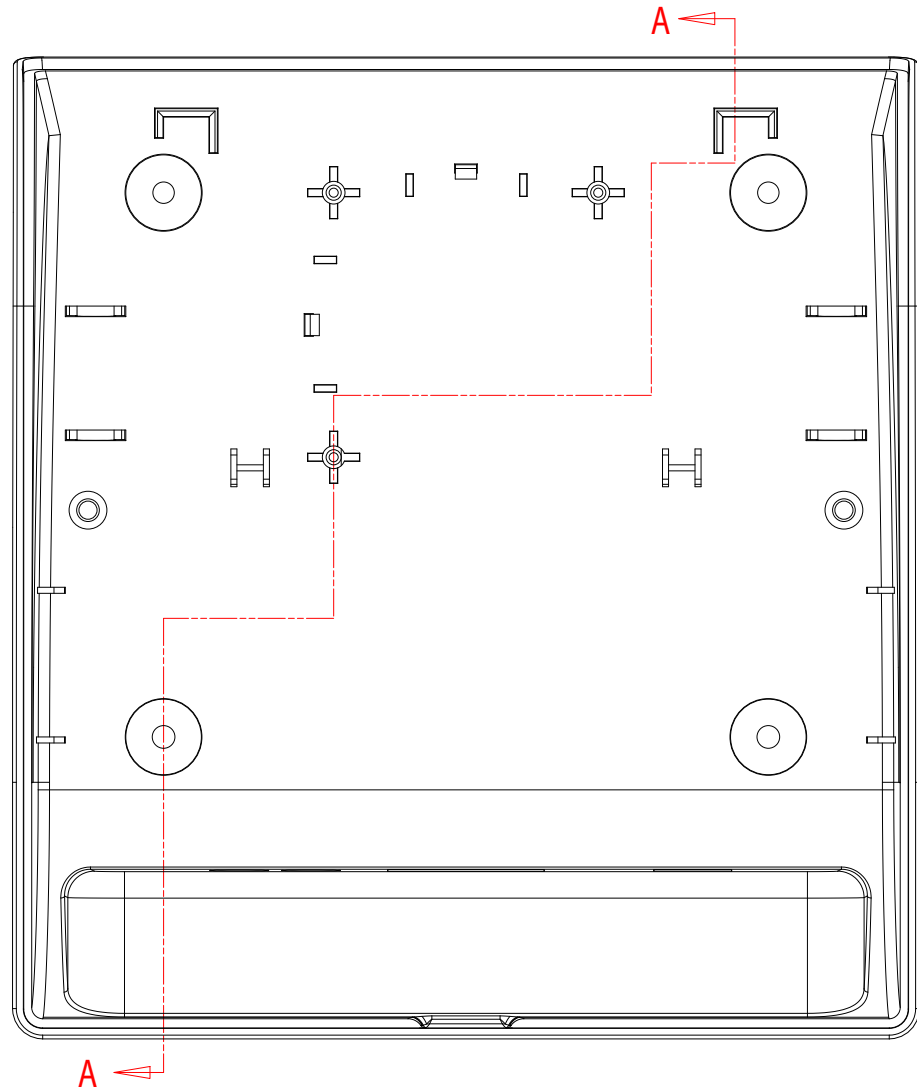
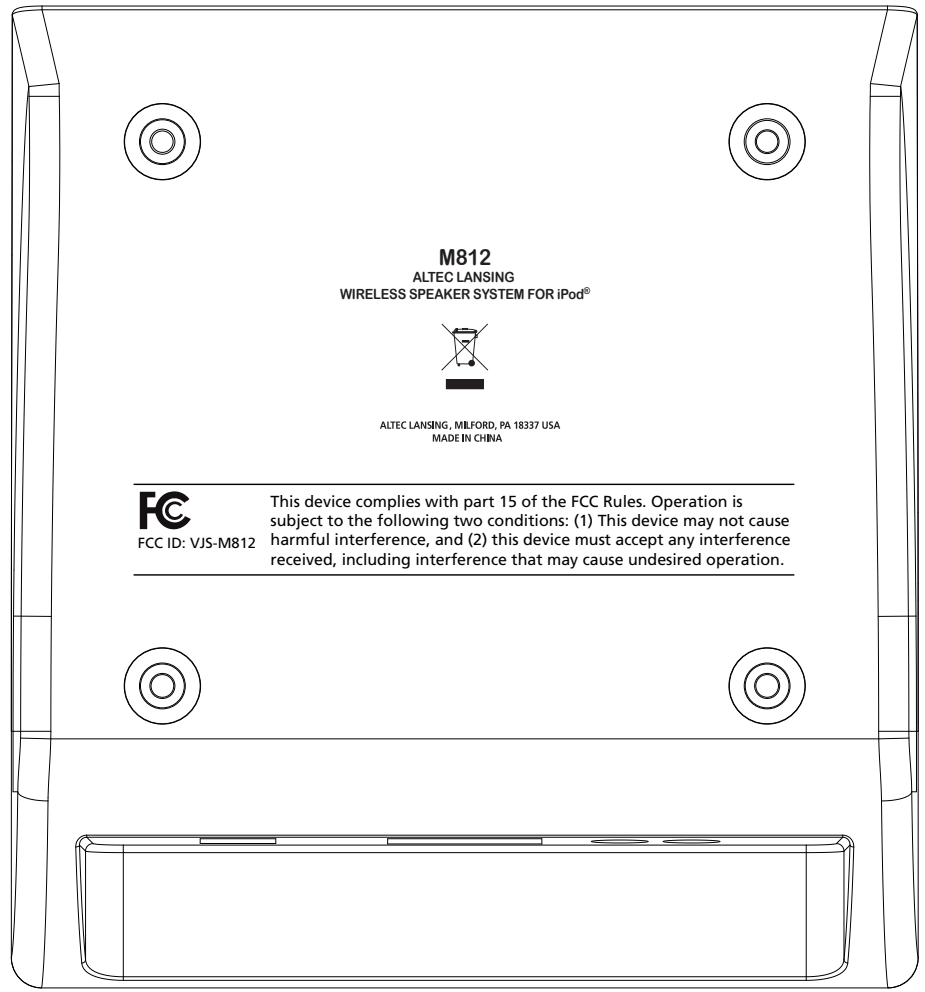


REVISIONS				
REV.	DESCRIPTION	DATE	DRAWN	APROVD
1	INITIAL ISSUE	11/26/06	FRANK	SLT
2	ADDEED ONE TABLE FILM # "02-002 044" WAS "02-001 985"	03/01/07	FRANK	SLT

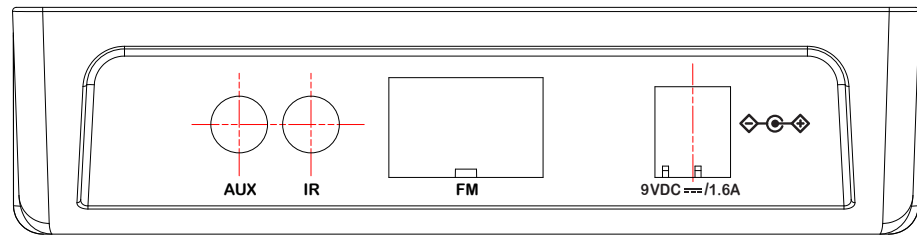
MORE DETAILS PLEASE REFER TO FILM B (SEE TABLE)



SECTION A-A



MORE DETAILS PLEASE REFER TO FILM A (SEE TABLE)



2 TABLE:

	FILM #	REV
FILM A	02-002 044	2 01
FILM B	02-002 043	02

- NOTES:
- 1, PRINTING APPLY TO P/N A11867
 - 2, TOLERANCE : ±0.2mm
 - 3, PRINTING COLOR: PMS 432C

UNLESS OTHERWISE SPECIFIED DIMENSIONS ARE IN MILLIMETERS TOLERANCES ARE: 0 ≤ 10mm ±0.1mm 10 ≤ 100mm ±0.2mm 100 ≤ 500mm ±0.3mm	ANGLES ± 0.5°	THIRD ANGLE PROJECTION		ALTEC LANSING TECHNOLOGIES INC. MILFORD PANNSYLVANIA 18337	
		APPROVALS DRAWN: FRANK CHECKED: ISSUED:	DATE 11/26/06	DOCK BTM S/S CTRL DWG	
MATERIAL: SEE NOTES FINISH: SEE NOTES DO NOT SCALE DRAWING		SIZE: A3 SCALE: 1:1	FSCM NO.: DWG. NO.: C-M812-003 REV.: 2	SHEET: 1 OF 1	2