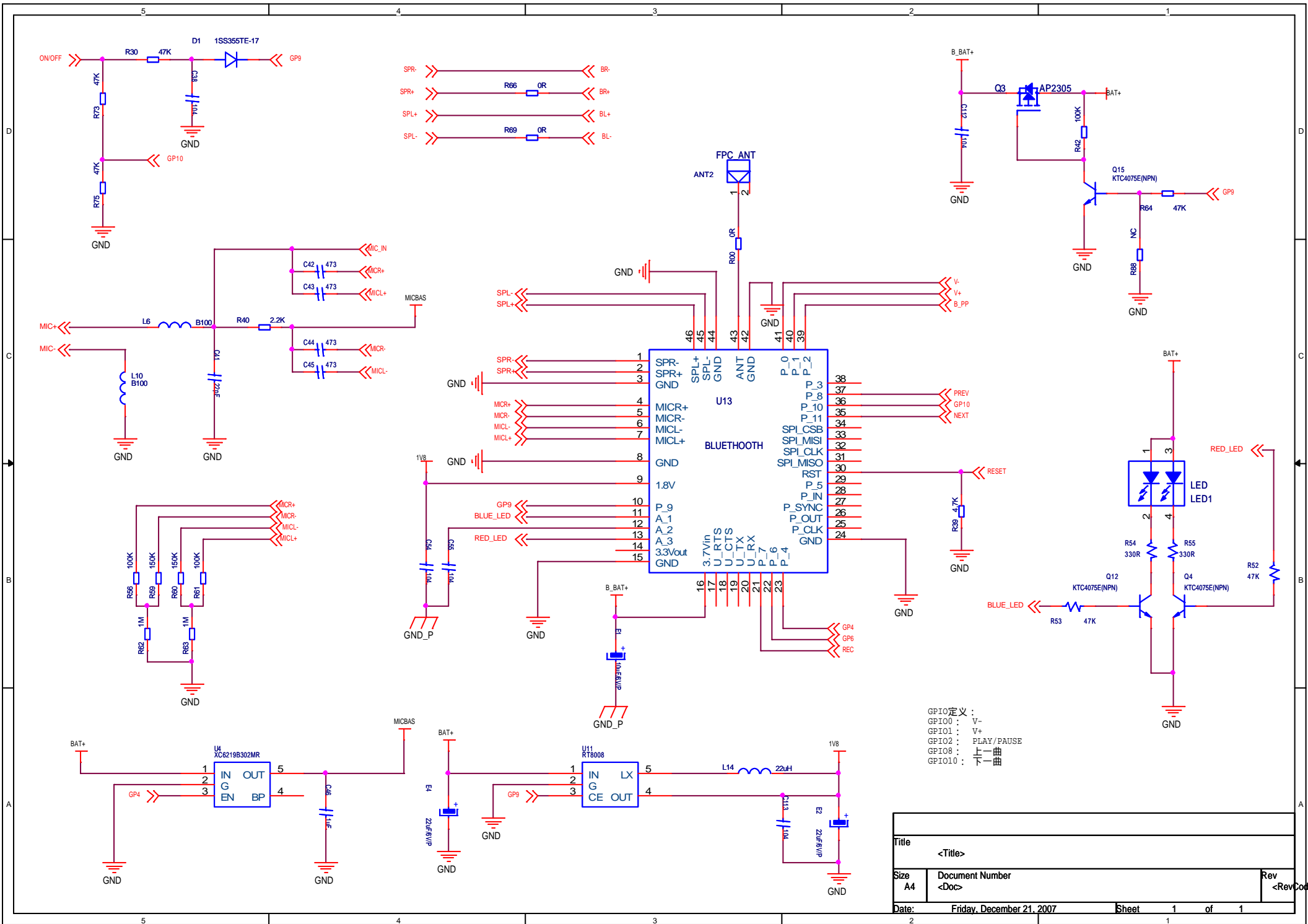
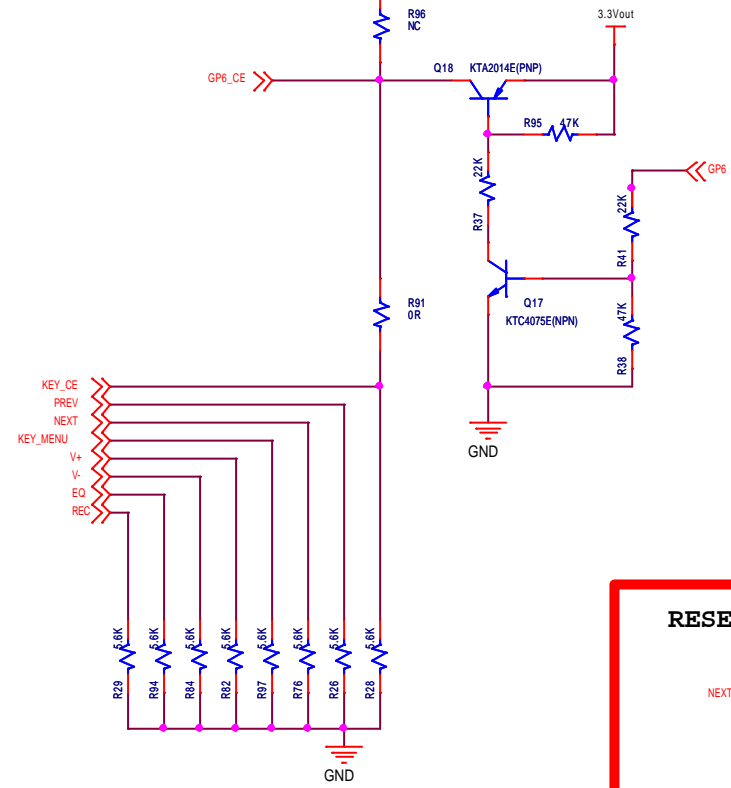
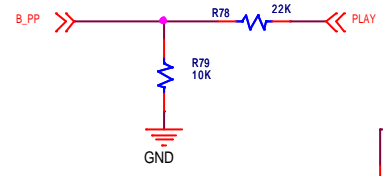


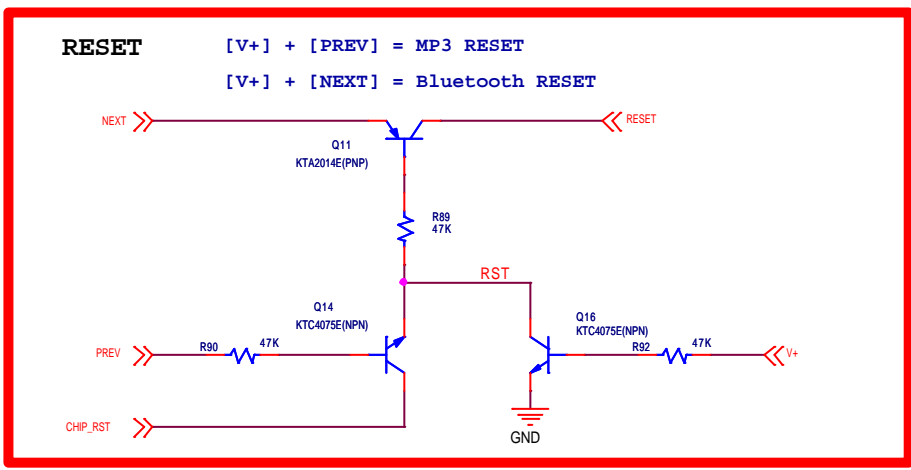
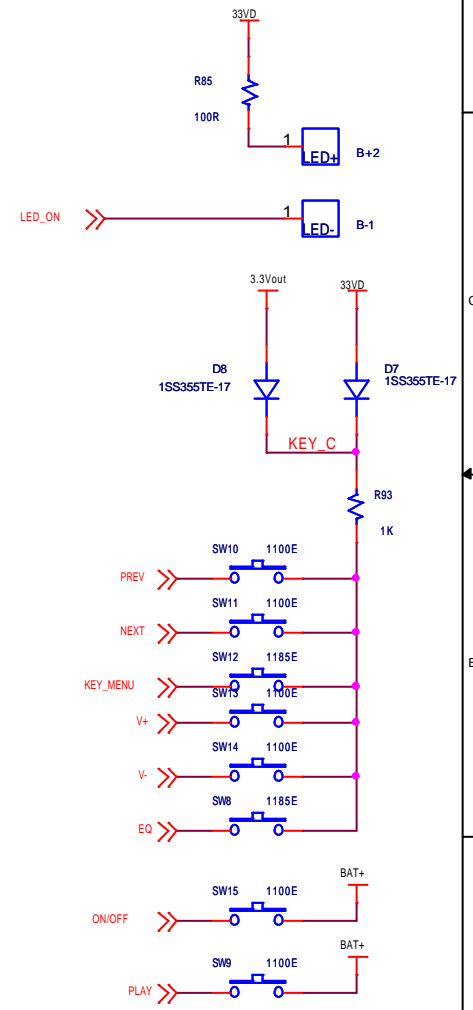
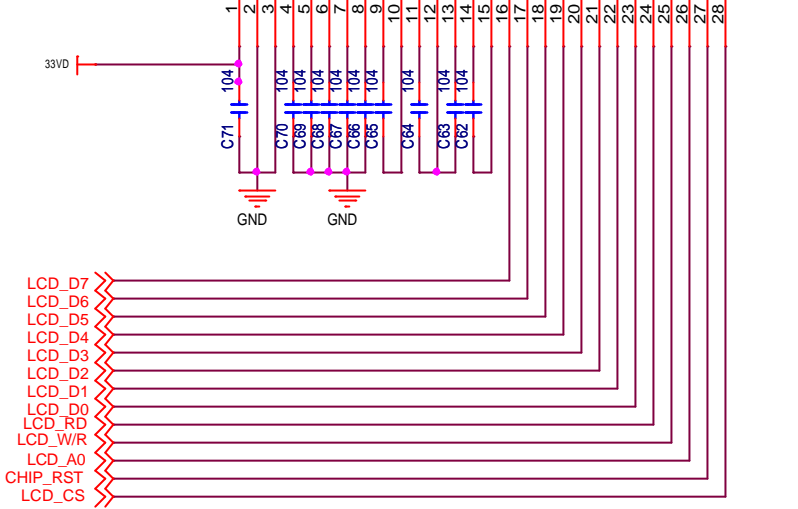
I/O 说明
 REC: "H" 为line in; 平时为"L"
 KEY_CE: "L" 为, 所有按键不响应, 并且进入暂停模式。
 当由"L"变为"H"时恢复原来状态。

功能	C	B	A	Y0	Y1	Y2	Y3	Y4	Y5	Y6
NEXT										
PREV										
EQ										
REC										
FNU										
REPEAT										
STOP										





MTC1002 64X48



Title		
<Title>		
Size	Document Number	Rev
A4	<Doc>	<Rev Code>
Date:	Monday, December 10, 2007	Sheet 1 of 1

5

4

3

2

1

D

D

C

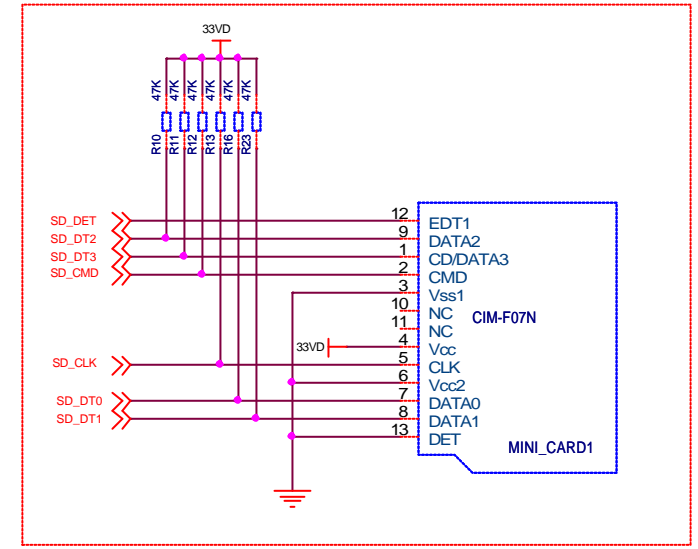
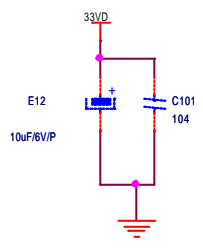
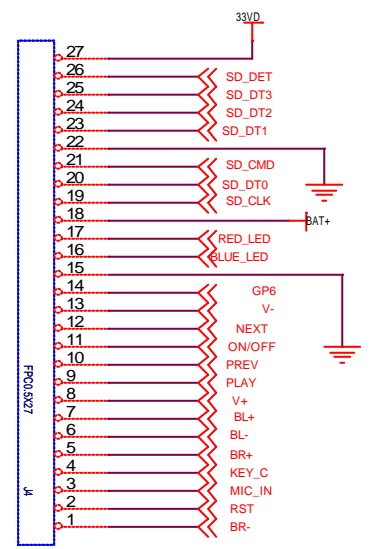
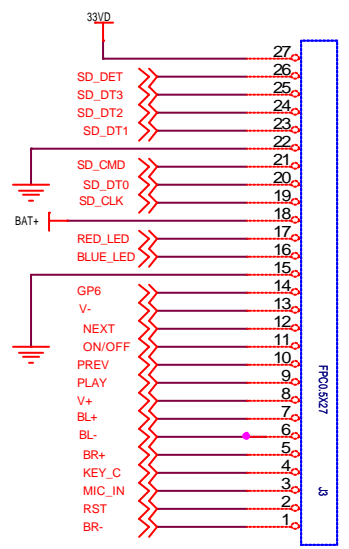
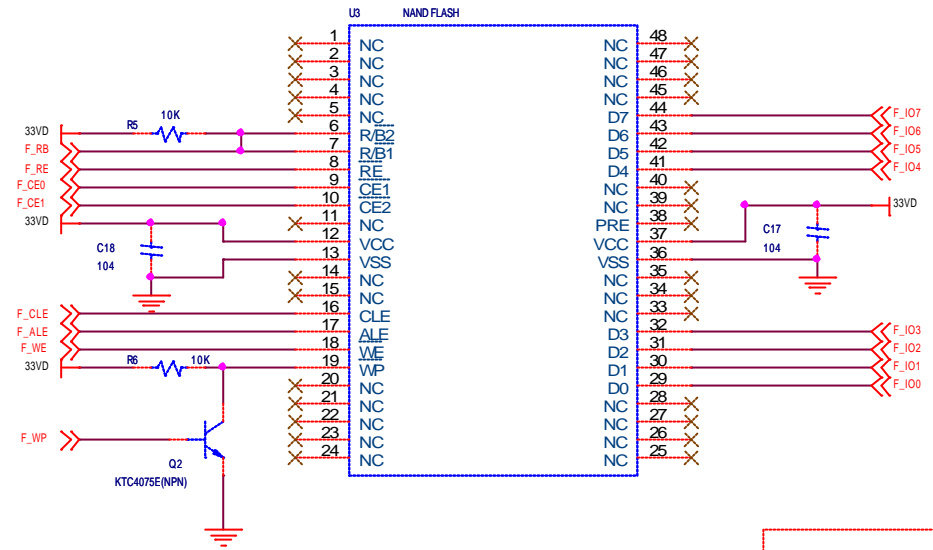
C

B

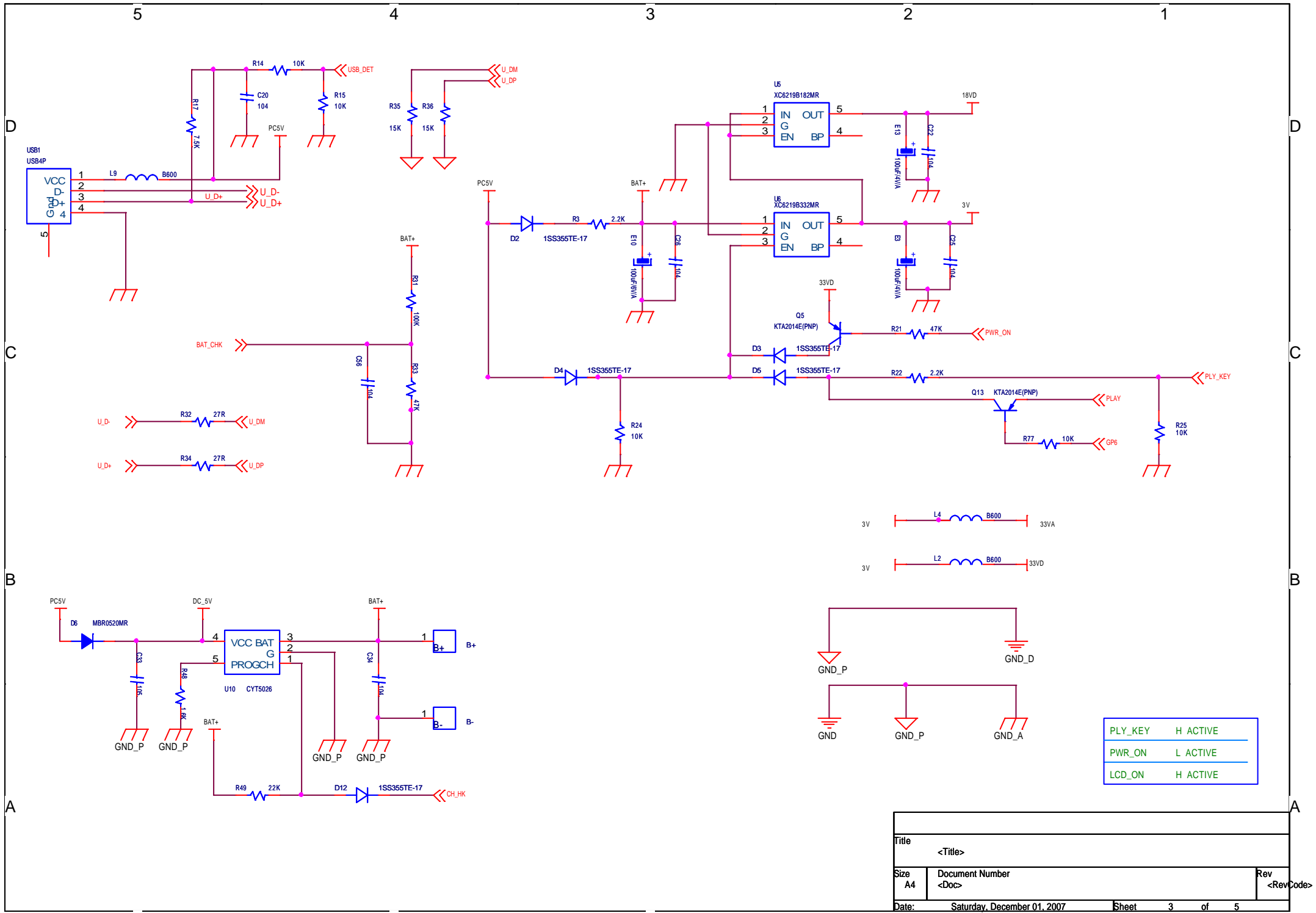
B

A

A

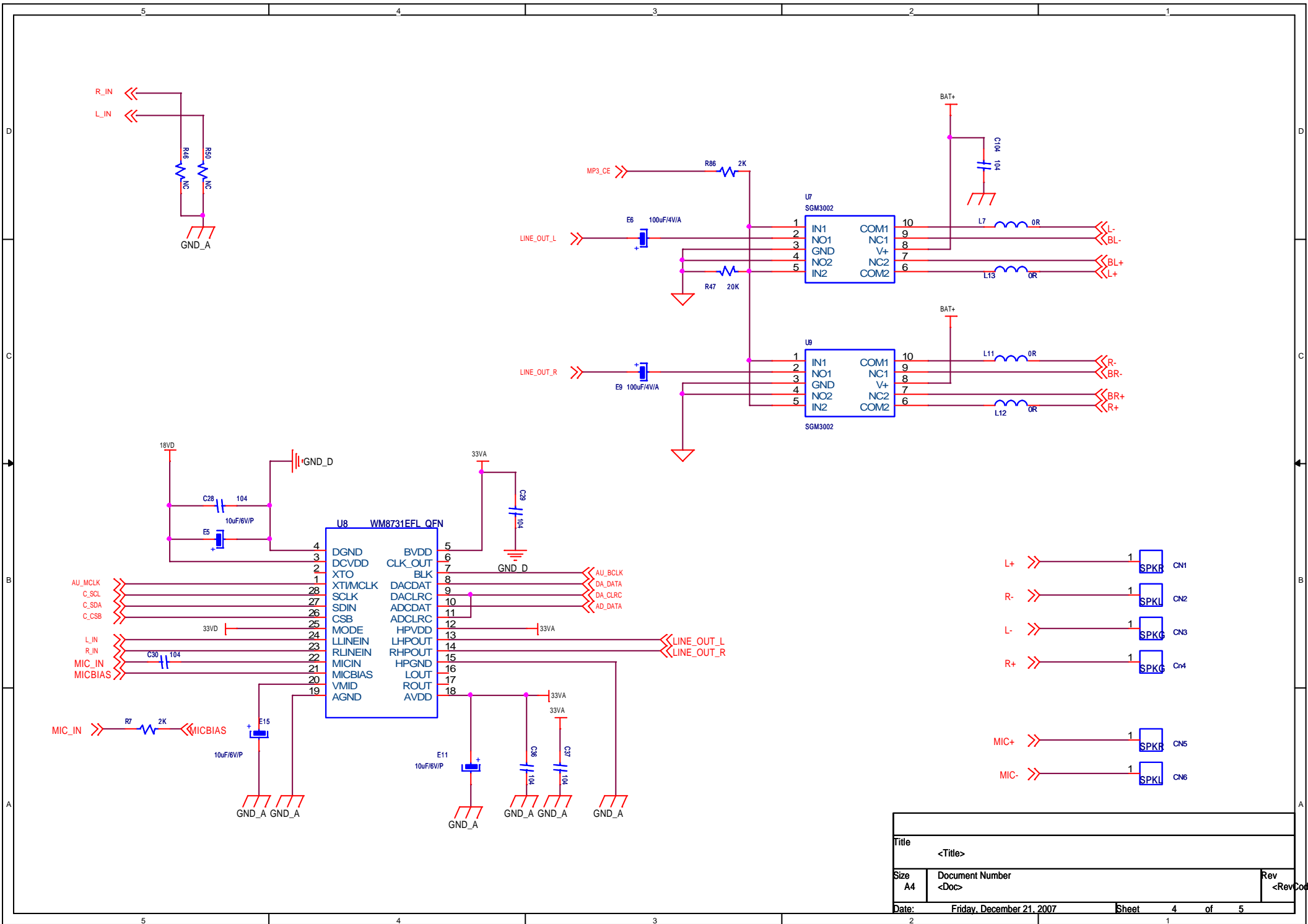


Title <Title>		
Size A4	Document Number <Doc>	Rev <RevCode>
Date:	Friday, December 21, 2007	Sheet 2 of 5



PLY_KEY	H ACTIVE
PWR_ON	L ACTIVE
LCD_ON	H ACTIVE

Title		
<Title>		
Size	Document Number	Rev
A4	<Doc>	<RevCode>
Date:	Saturday, December 01, 2007	Sheet 3 of 5



Title		
<Title>		
Size	Document Number	Rev
A4	<Doc>	<Rev/Colle>
Date:	Friday, December 21, 2007	Sheet 4 of 5