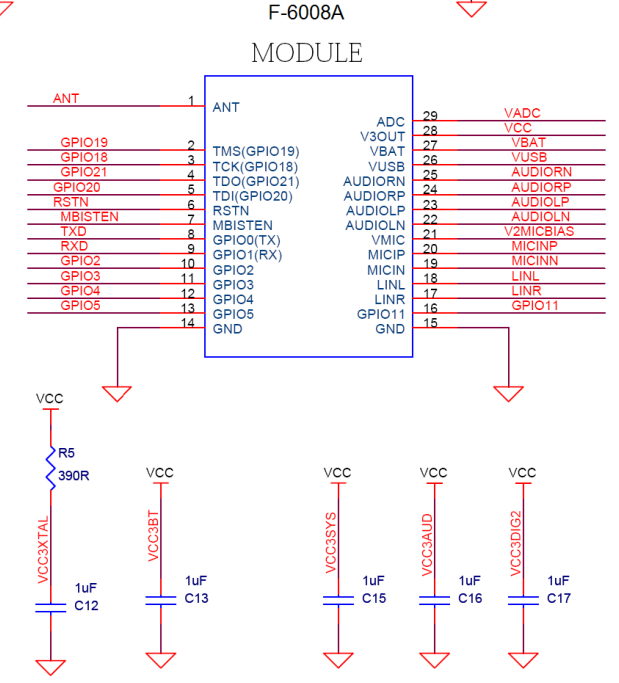
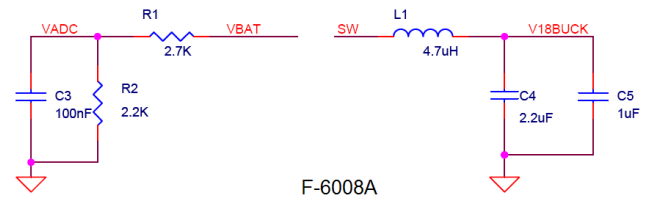
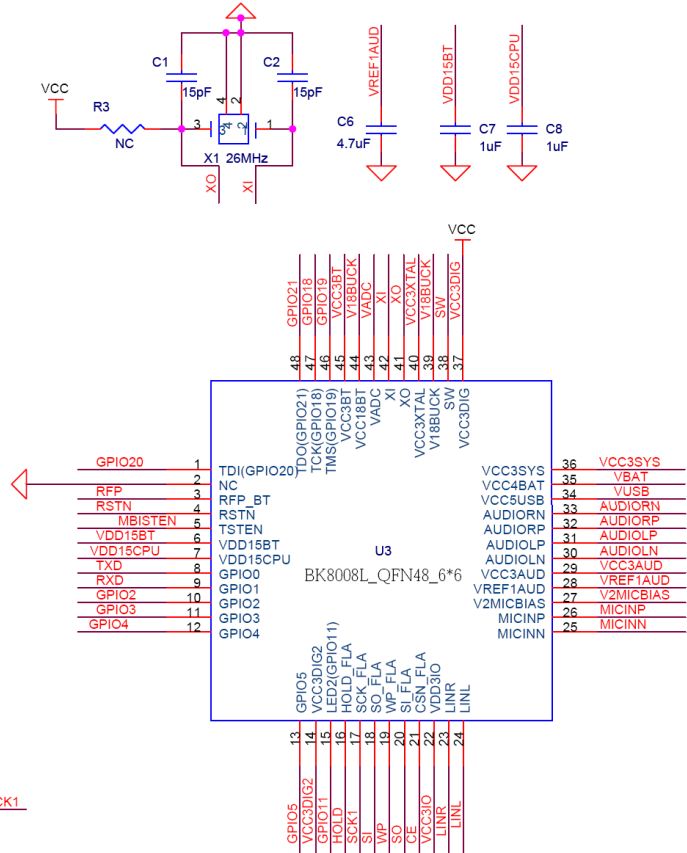
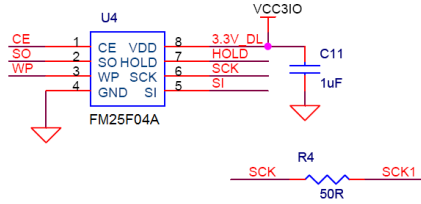
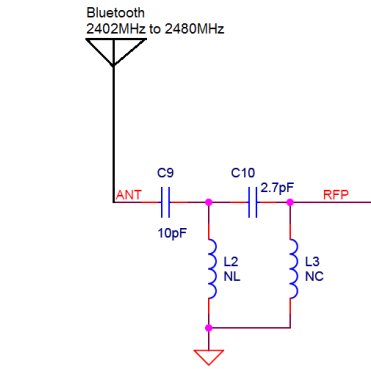
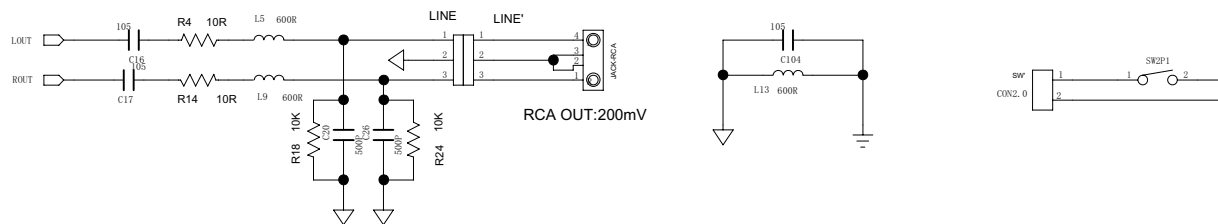
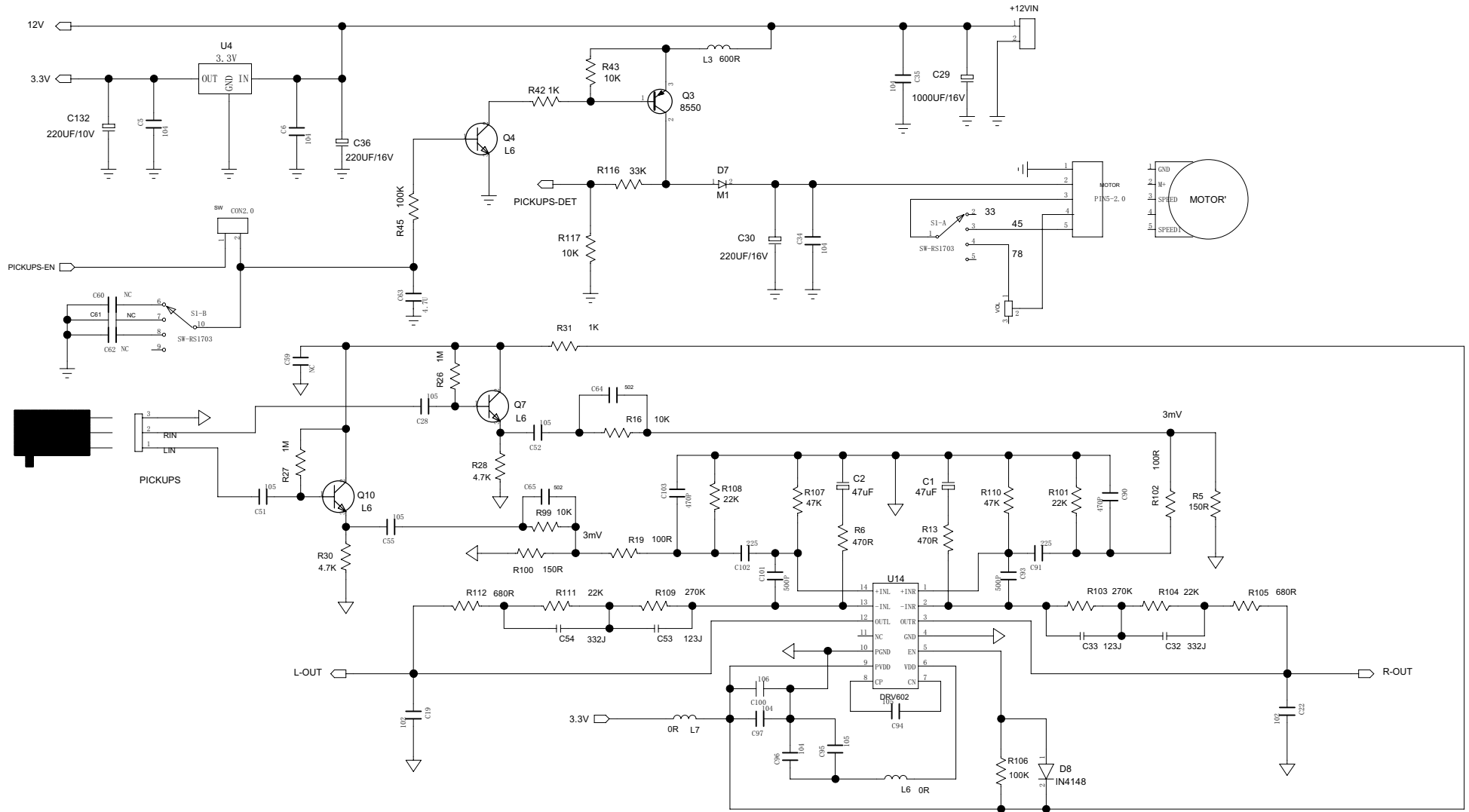


COMPANY:		GreatPower Enterprise Co.,Ltd				
MODEL:		TT100				
PCB VER:	00	TITLE	SCH	DOC VER	01	
DRN./DATE:			DWG NO: *			
CHK. /DATE:			IC: STM32F030C8T6			
APP. /DATE:			LCD:			
<input type="checkbox"/> TO FILE			SHEET OF: 1/3			



F-6008A  
MODULE



COMPANY:		GreatPower Enterprise Co.,Ltd			
MODEL:		TT100			
PCB VER:	00	TITLE	SCH	DOC VER	01
DRN./DATE:			DWG NO: *		
CHK./DATE:			IC:		
APP./DATE:			LCD:		
<input type="checkbox"/> TO FILE			SHEET OF: 2/3		



6

5

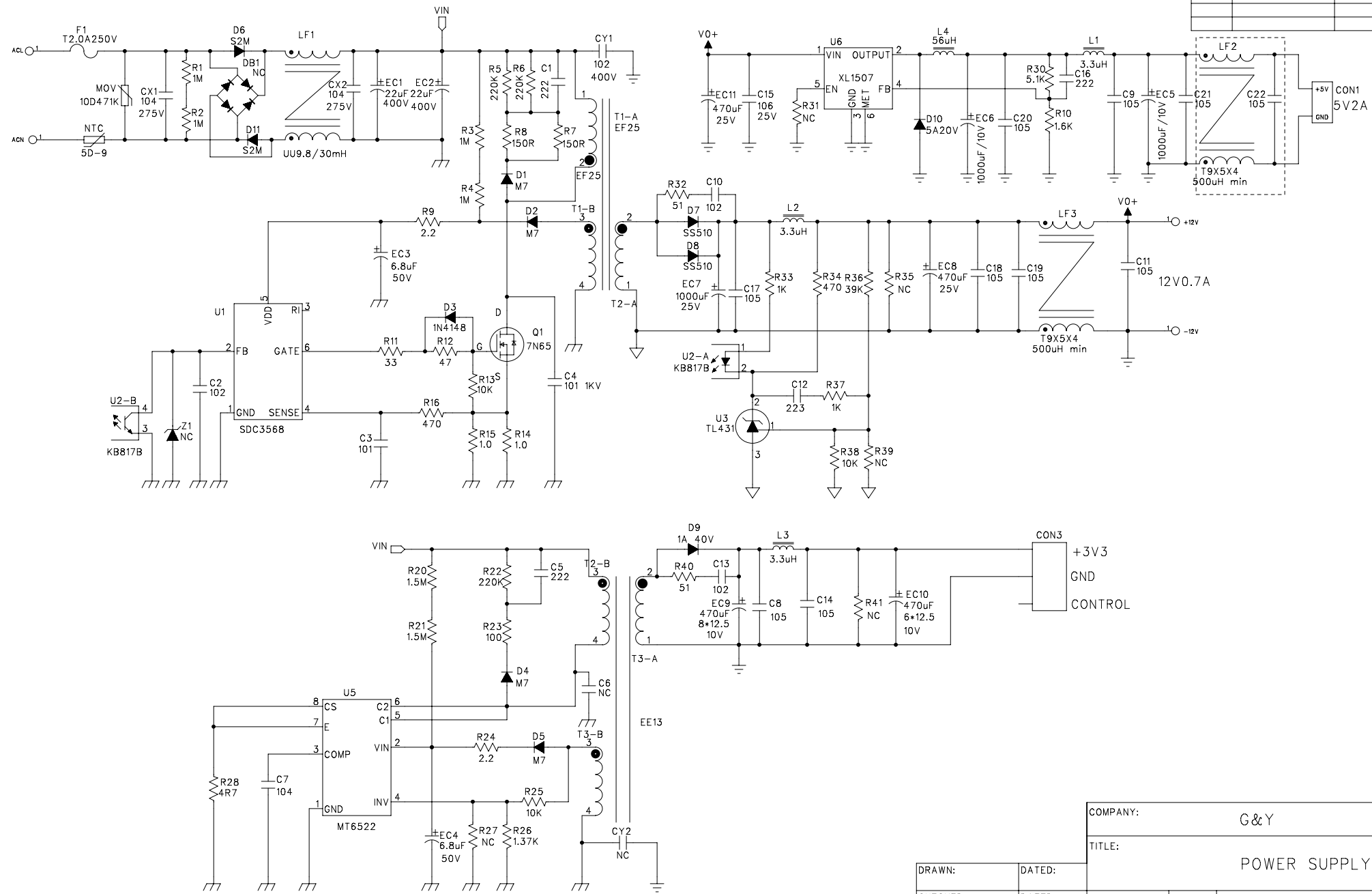
4

3

2

1

REVISION RECORD		
LTR	ECO NO:	APPROVED DATE:



D

D

C

C

B

B

A

A

COMPANY:		G & Y		
TITLE:				
POWER SUPPLY				
DRAWN:	DATED:	CODE:	SIZE:	DRAWING NO:
CHECKED:	DATED:	A2		REV:
QUALITY CONTROL:	DATED:			
RELEASED:	DATED:			
SCALE:				SHEET: 1 OF