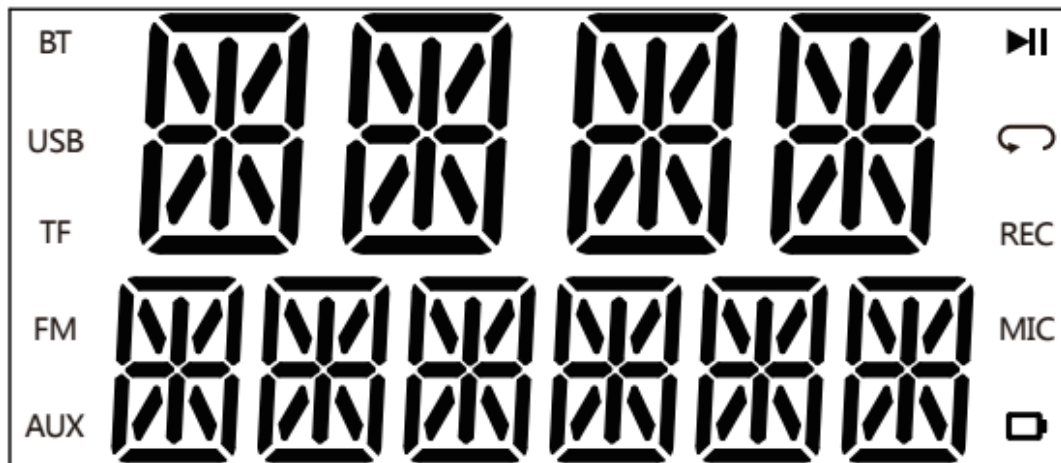



User Guider

Please read this manual before use

Display Screen Description :



1. BT: BT will be lit on the left of the display screen when in BT mode .
2. AUX: AUX will be lit on the left of the display screen when in AUX mode .
3. MIC :MIC will be lit on the left of the display screen when insert in wired Mice .
4.  : Please use the accessories adaptor to charging when the machine battery symbol is empty and twinkle,meanwhile , the volume will be down 50%. otherwise it will be auto-power off if play musics no charging , harging is needed when the battery symbol is empty and twinkle, the product will into low power self-protect state, the volume will drop to 50%, please use our adaptor to charge. Charging light is on when charging and off when charging is finished.

60 Voice Effects Display On The Screen :

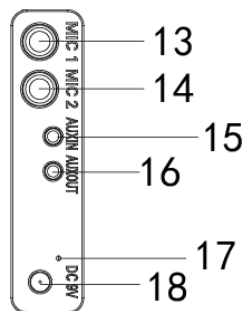
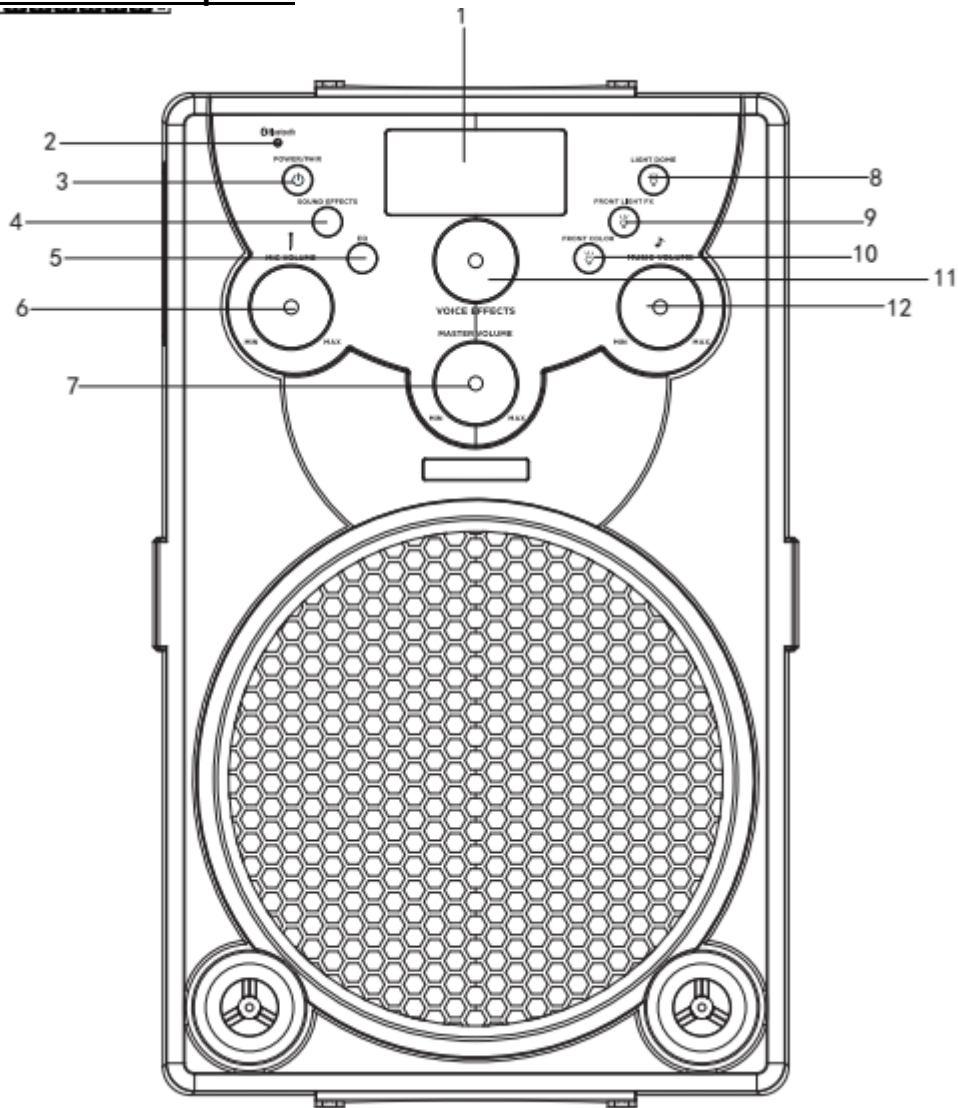
Voice Effect	Voice Effect Name	LED	LED	LED
MIC EF00	No Effect	00 NORMAL VOICE	V EF	NORMAL
MIC EF01	Center Stage	01 CENTER STAGE	V EF	CENTER
MIC EF02	Paging	02 PAGING	V EF	PAGING
MIC EF03	Tuned	03 TUNED	V EF	TUNED
MIC EF04	Pop Tuned	04 POP TUNED	V EF	POP T
MIC EF05	Pop Star	05 POP STAR	V EF	POP S

MIC EF06	Pop Group	06 POP GROUP	V EF	POP G
MIC EF07	Coliseum	07 COLISEUM	V EF	COLISE
MIC EF08	Performance	08 PERFORMANCE	V EF	PERFOR
MIC EF09	Alt Rock	09 ALT ROCK	V EF	ALT RO
MIC EF10	Hip Hop	10 HIP HOP	V EF	HIPHOP
MIC EF11	Rap	11 RAP	V EF	RAP
MIC EF12	Rock Star	12 ROCK STAR	V EF	ROCK S
MIC EF13	Country Blues	13 COUNTRY BLUES	V EF	COUNTR
MIC EF14	Assembly	14 ASSEMBLY	V EF	ASSEMB
MIC EF15	Amp	15 AMP	V EF	AMP
MIC EF16	Barbershop Quartet	16 BARBERSHOP QUARTET	V EF	BARBER
MIC EF17	Chorus	17 CHORUS	V EF	CHORUS
MIC EF18	Duet	18 DUET	V EF	DUET
MIC EF19	Pop Rock	19 POP ROCK	V EF	POP R
MIC EF20	Classic Rock	20 CLASSIC ROCK	V EF	CLASSI
MIC EF21	Munchkin Echo	21 MUNCHKIN ECHO	V EF	MUN EC
MIC EF22	Cellar	22 CELLAR	V EF	CELLAR
MIC EF23	Ring Announcer	23 RING ANNOUNCER	V EF	RING A
MIC	Group Echo	24 GROUP ECHO	V EF	GROUP

EF24				
MIC EF25	Solo	25 SOLO	V EF	SOLO
MIC EF26	Grand Canyon	26 GRAND CANYON	V EF	GRAND
MIC EF27	Western High	27 WESTERN HIGH	V EF	WEST H
MIC EF28	Western Low	28 WESTERN LOW	V EF	WEST L
MIC EF29	Cave	29 CAVE	V EF	CAVE
MIC EF30	Big Echo	30 BIG ECHO	V EF	ECHO
MIC EF31	Munchkin	31 MUNCHKIN	V EF	MUNCHK
MIC EF32	Helium	32 HELIUM	V EF	HELIUM
MIC EF33	Alien	33 ALIEN	V EF	ALIEN
MIC EF34	Duck	34 DUCK	V EF	DUCK
MIC EF35	Chipmunk	35 CHIPMUNK	V EF	CHIPMU
MIC EF36	Sparkle	36 SPARKLE	V EF	SPARKL
MIC EF37	Electronic	37 ELECTRONIC	V EF	ELECTR
MIC EF38	Harmony	38 HARMONY	V EF	HARMON
MIC EF39	Mini Munchkin	39 MINI MUNCHKIN	V EF	MINI M
MIC EF40	Oz	40 OZ	V EF	OZ
MIC EF41	Puppet	41 PUPPET	V EF	PUPPET
MIC EF42	Villain	42 VILLAIN	V EF	VILLAI

MIC EF43	Announcer	43 ANNOUNCER	V EF	ANNOUN
MIC EF44	Auditorium	44 AUDITORIUM	V EF	AUDITO
MIC EF45	Space Commander	45 SPACE COMMANDER	V EF	SPACE
MIC EF46	Monster High	46 MONSTER HIGH	V EF	MONS H
MIC EF47	Monster Low	47 MONSTER LOW	V EF	MONS L
MIC EF48	Baby	48 BABY	V EF	BABY
MIC EF49	Big Robot	49 BIG ROBOT	V EF	BIG RO
MIC EF50	Mechanical	50 MECHANICAL	V EF	MECHAN
MIC EF51	Giant	51 GIANT	V EF	GIANT
MIC EF52	Ghost	52 GHOST	V EF	GHOST
MIC EF53	Haunted	53 HAUNTED	V EF	HAUNTE
MIC EF54	Harmonizing Munchkin	54 HARMONIZING MUNCHKIN	V EF	HARM M
MIC EF55	Playtime	55 PLAYTIME	V EF	PLAYTI
MIC EF56	Radio	56 RADIO	V EF	RADIO
MIC EF57	Hollow	57 HOLLOW	V EF	HOLLOW
MIC EF58	Echo	58 ECHO	V EF	ECHO
MIC EF59	Chamber	59 CHAMBER	V EF	CHAMBE

Function Panel Description:



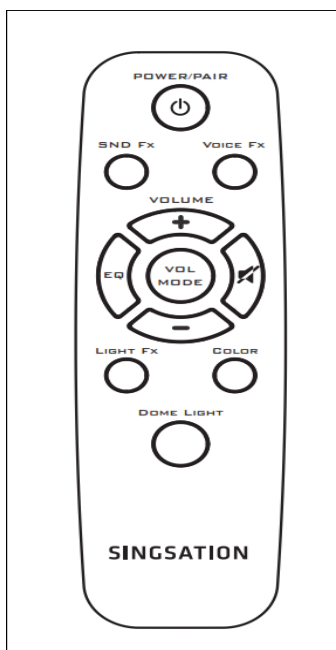
- 1. Display Screen
- 2. Bluetooth Indicator Light
- 3. Power on/off / Bluetooth Pairing Button
- 4. Sound EFFECTS:Play the built-in music
- 5.EQ
- 6.MIC Volume Knob
- 7.Record Button
- 8. Light Dome ON/OFF button
- 9. Front light FX ON/OFF button
- 10. Front light color switch light effects / Demo mode button

- 11.Voice Effects
- 12.Music Volume
- 13、 MIC1 Port
- 14、 MIC2 Port
- 15、 AUX IN Port
- 16、 AUX OUT Port /REST ON /OFF
- 17、 Charging Indication Light
- 18、 DC 10V Charging Port

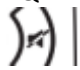
General Function Description:

- 1.Master Volume : In any modes , the volume is up when clockwise rotate the master volume knob and down when counterclockwise rotate the knob . The master volume control all the volume in any states. The range of adjustment is 0-30.
- 2.MIC Volume :When insert wired microphone , the volume is up when clockwise rotate the mic volume knob and down when counterclockwise rotate the knob . The range of adjustment is 0-30.
- 3.Music Volume : In any modes , the volume is up when clockwise rotate the music volume knob and down when counterclockwise rotate the knob . The range of adjustment is 0-30.
4. Voice Effects :When insert wired microphone , rotate the sound effects knob to select different voice effects , the range of select from 00 to 59 , please find voice effect description.
5. EQ Button: Short switch EQ mode .
6. Light Dome Button : short press the button to turn on the dome light , then short press is to switch the lights mode, long press is trun off the light .
7. Front light FX Button : short press the button to turn on the, then short press is to switch the lights mode, long press is trun off the light .
8. Front Color Button: The light color selection button. In the optional color mode, short press to lock the color, then short press to unlock. Press and hold for 10 seconds to enter demo mode and test all light modes to automatically cycle.

Remote Control Function Description :



1. POWER / PAIR
2. SND Fx
3. VOICE Fx
4. VOLUME +

5. VOLUME -
6. EQ
7. 
8. LIGHT Fx
9. COLOR
10. DOME LIGHT

Bluetooth Function Description:

1. Bluetooth connection: Bluetooth automatically enter into Bluetooth waiting for pairing status, discreen screen lit on “BT” , open mobile phone device Bluetooth to search bluetooth model name “Singsation Bravo” , click pairing, after the connection is successful, the system will voice a pairing success sound.
2. Manual pairing: When Bluetooth is connected, double-click the power/pair button to disconnect the Bluetooth connection and re-enter the pairing wait state.

Charging and Low Battery Description :

1. Please use the accessories adaptor to charging when the machine battery symbol is empty and twinkle, meanwhile , the volume will be down 50%. otherwise it will be auto-power off if play musics no charging , harging is needed when the battery symbol is empty and twinkle, the product will into low power self-protect state, the volume will drop to 70%, please use our adapter to charge. Red light lit is charing , green light on is finished charging
2. Use DC 10V charging adapter for charging
3. Note: Please charge for more than 12H for first time, please keep battery with electric if the battery doesn't work for long time, or the battery will damage.

Specifications

Power output: 15W
R. Frequency :90Hz-20KHz
Speaker size : 8"4Ω*1
Lithium Battery : 7.4V / 2000mAh
S/N Ratio : ≥60dB
Power voltage: DC 10V / 1A
Product dimension: L300*W303*H650MM

Packing List

1. Unit *1
2. User manual *1
3. AC Adaptor *1
4. Remote Control*1
5. Wired Microphone*2
6. Microphone Holder*2

IC Caution.

This device complies with Industry Canada licence-exempt RSS standard(s). Operation is subject to the following two conditions: (1) This device may not cause interference, and (2) This device must accept any interference, including interference that may cause undesired operation of the device.

FCC Caution.

This device complies with part 15 of the FCC Rules. Operation is subject to the following two conditions: (1) This device may not cause harmful interference, and (2) this device must accept any interference received, including interference that may cause undesired operation.

Any Changes or modifications not expressly approved by the party responsible for compliance could void the user's authority to operate the equipment.

Note: This equipment has been tested and found to comply with the limits for a Class B digital device, pursuant to part 15 of the FCC Rules. These limits are designed to provide reasonable protection against harmful interference in a residential installation. This equipment generates uses and can radiate radio frequency energy and, if not installed and used in accordance with the instructions, may cause harmful interference to radio communications. However, there is no guarantee that interference will not occur in a particular installation. If this equipment does cause harmful interference to radio or television reception, which can be determined by turning the equipment off and on, the user is encouraged to try to correct the interference by one or more of the following measures:

- Reorient or relocate the receiving antenna.
- Increase the separation between the equipment and receiver.
- Connect the equipment into an outlet on a circuit different from that to which the receiver is connected.
- Consult the dealer or an experienced radio/TV technician for help.

***RF warning for Mobile device:**

This equipment complies with FCC radiation exposure limits set forth for an uncontrolled environment. This equipment should be installed and operated with minimum distance 20cm between the radiator & your body.
