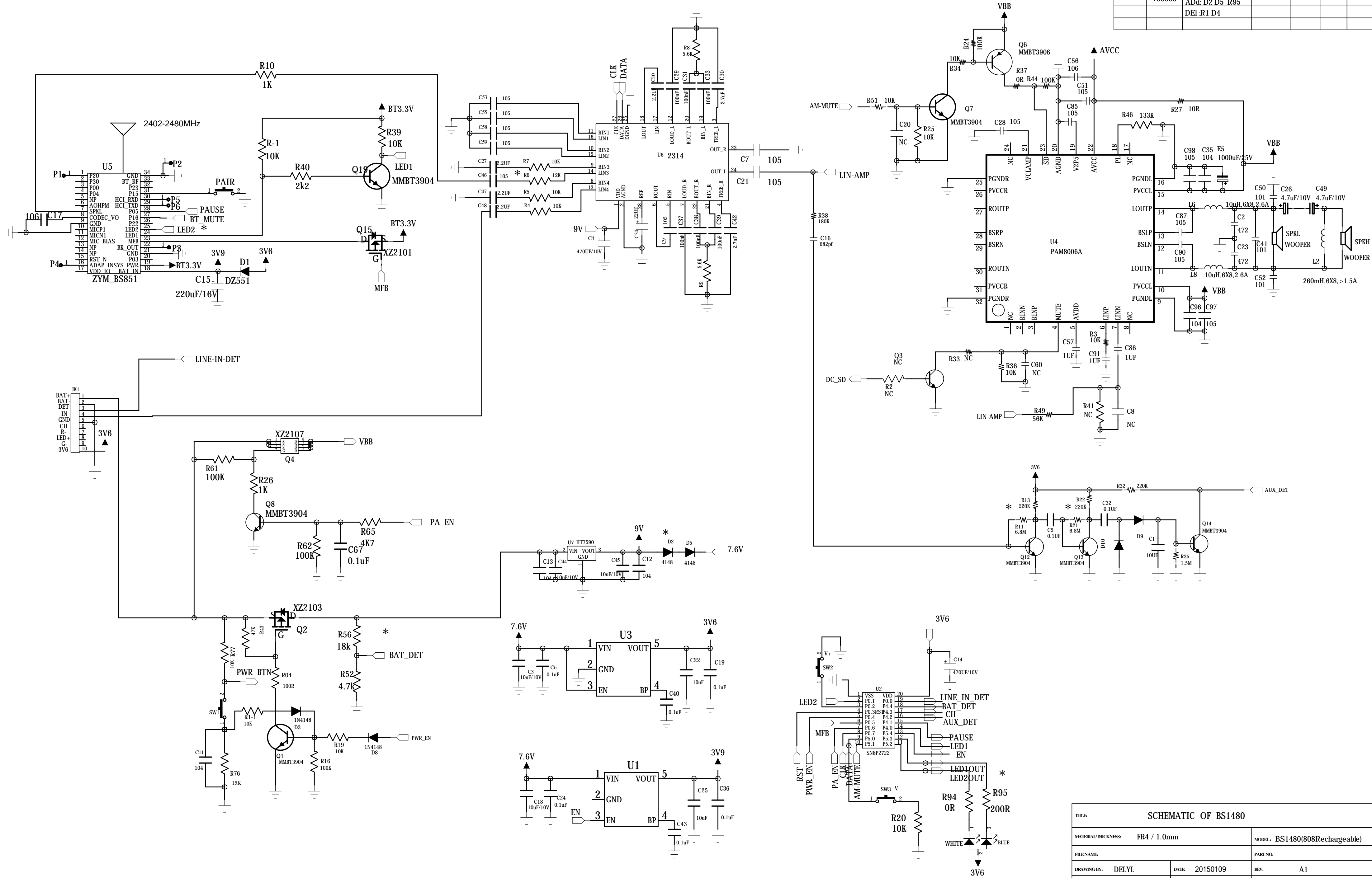


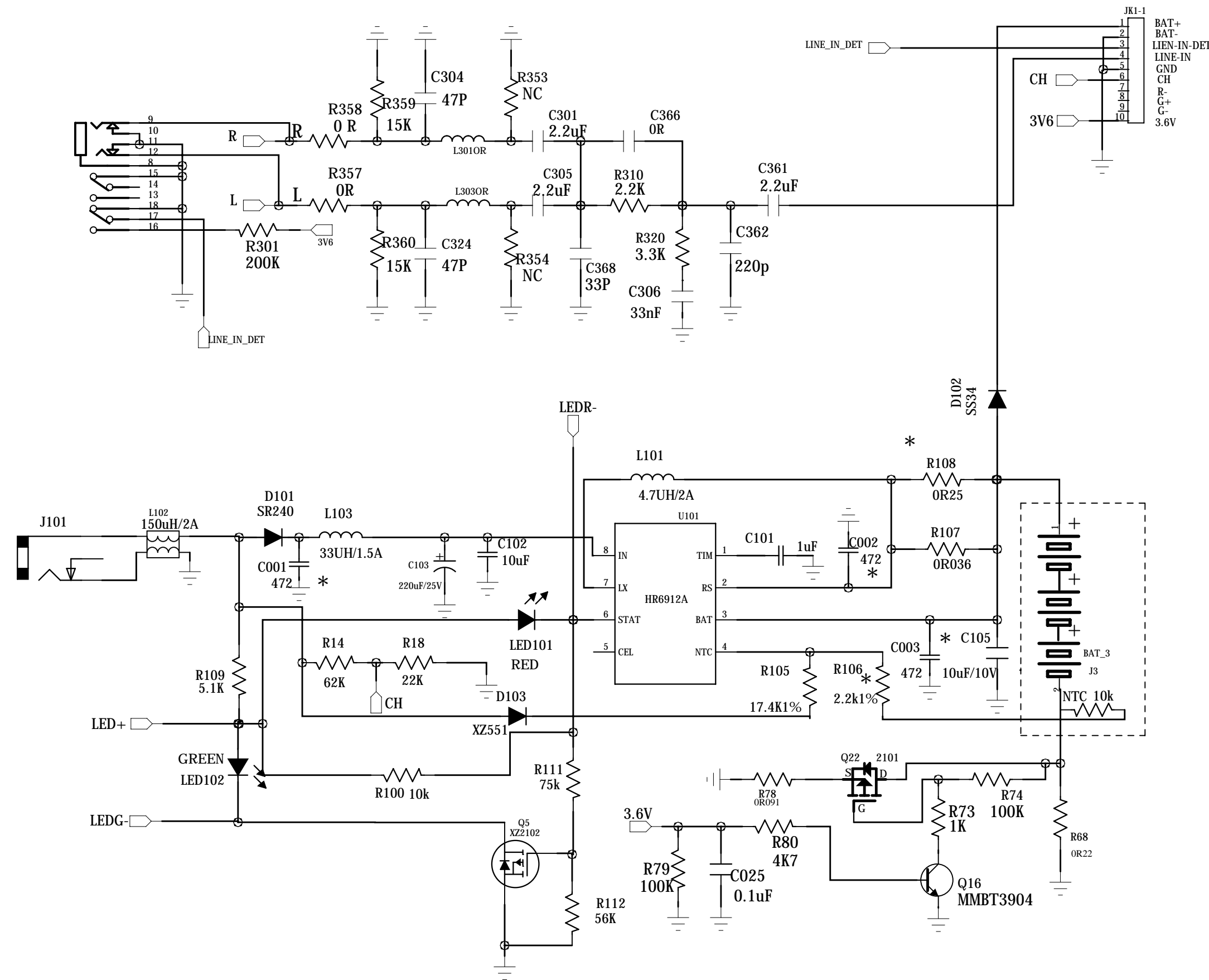
BOARD1

REVISION RECORD						
REVISION	ECN NO.	DESCRIPTION	PART NO.	CHG BY	APPR BY	DATE
A1	150005	Chg: R56 R52 R6 R11 R21 Add: D2 D5 R95 DEL: R1 D4				



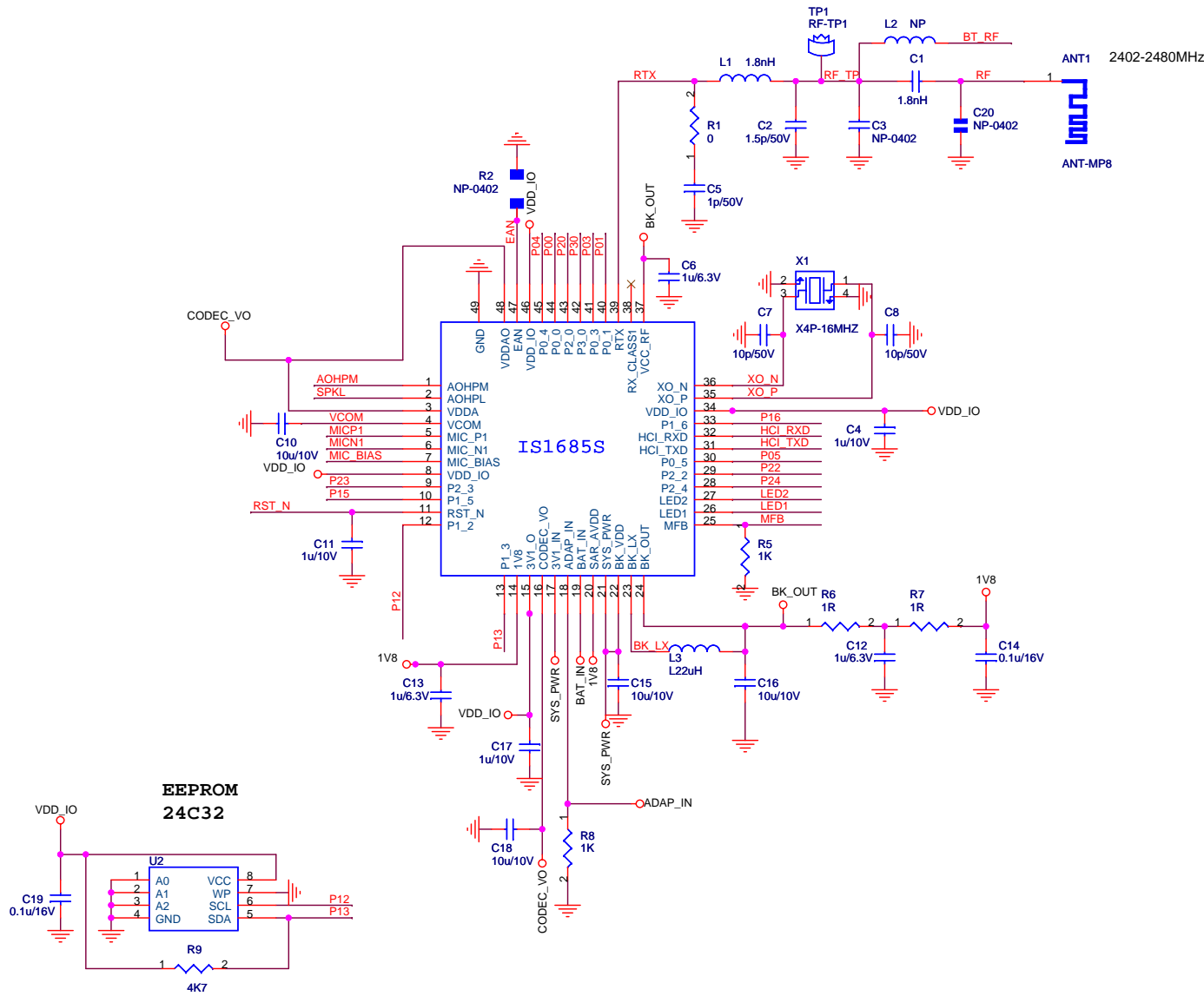
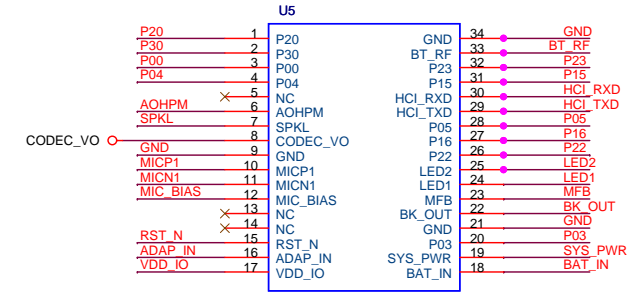
TITLE: SCHEMATIC OF BS1480		
MATERIAL/THICKNESS: FR4 / 1.0mm	MODEL: BS1480(808Rechargeable)	
FILENAME:	PARTNO:	
DRAWING BY: DELYL	DATE: 20150109	REV: A1
CHECKED BY: LMT	DATE:	SHEET: 1 OF 2
APPROVED BY:	DATE:	DWGNO: AAI-SC-A-0325
AAi Acoustic Arc International Ltd.		

REVISION RECORD						
REVISION	ECN NO.	DESCRIPTION	PART NO.	CHG BY	APPR BY	DATE
A1	ECN 150005	CHg: R106 R107 R108 ADd : C001 C002 C003				



TITLE: SCHEMATIC OF BS1480		
MATERIAL/THICKNESS: FR4 / 1.0mm	MODEL: BS1480(808Rechargeable)	
FILE NAME:	PART NO:	
DRAWING BY: DELYL	DATE: 20150109	REV: A1
CHECKED BY: LMT	DATE:	SHEET: 2 OF 2
APPROVED BY:	DATE:	DWG NO: AAI-E-SC-A-0325

PIN DEFINITION



Title		
Size	Document Number	Rev
B	MYBM85SPK02	REV1.0
Date:	Sheet	1 of 1