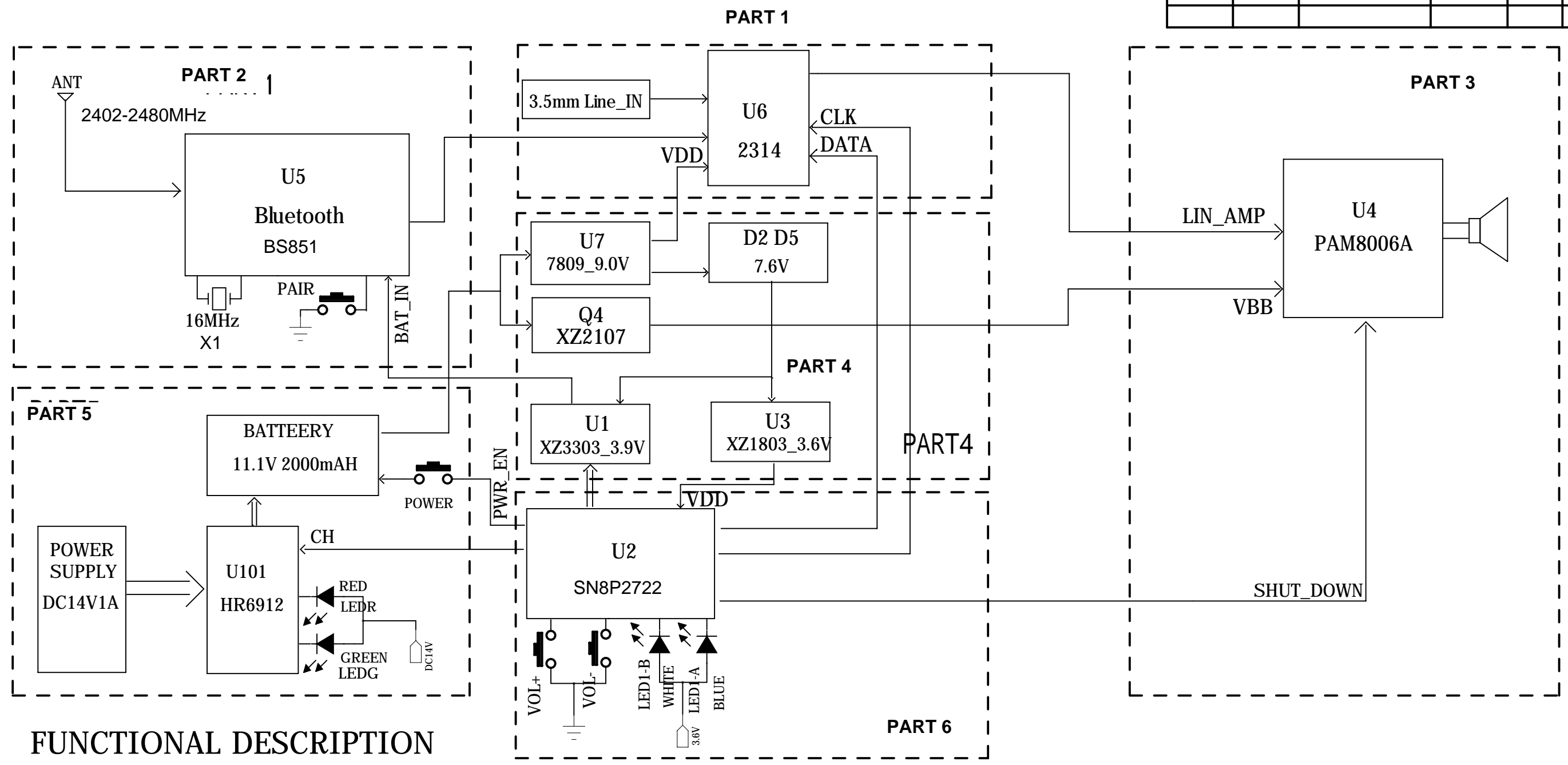


BLOCK DIAGRAM OF BS1480

REVISION RECORD					
REVISION	ECN NO	DESCRIPTION	PART NO	CHG.BY	DATE



FUNCTIONAL DESCRIPTION

- 1.PART1: RF Preamplifier, mixing, IF amplifier, Demodulation
- 2.PART2: Line Input And U5 Bluetooth Input U2 Switch Function and Volume Control
- 3.PART3: U4 PAM8006A AUDIO AMPLIFIER IC
- 4.PART4: DC BATTERY INPUT POWER SUPPLY AMP_VDD U1,3,7 Manostat 9V,3.9V,3.6V
- 5.PART5: DC 14V1A U101 Charging module and 8XAA Battery Power Supply
- 6.PART6: MCU Control Part

TITLE: BLOCK DIAGRAM OF BS1480		
MATERIAL/THICKNESS:	MODEL: BS1480	
FILE NAME:	PART NO:	
DRAWN BY: DELYL	DATE: 2015-01-14	REV: A1
CHECKED BY: LMT	DATE:	SHEET 1 1 OF 1
APPROVED BY:	DATE:	DWG.NO: AA+E-BL-A-0323
AAI Acoustic Arc International Ltd.		

The Block Diagram

