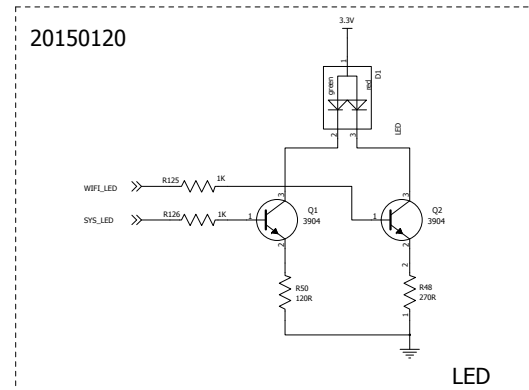
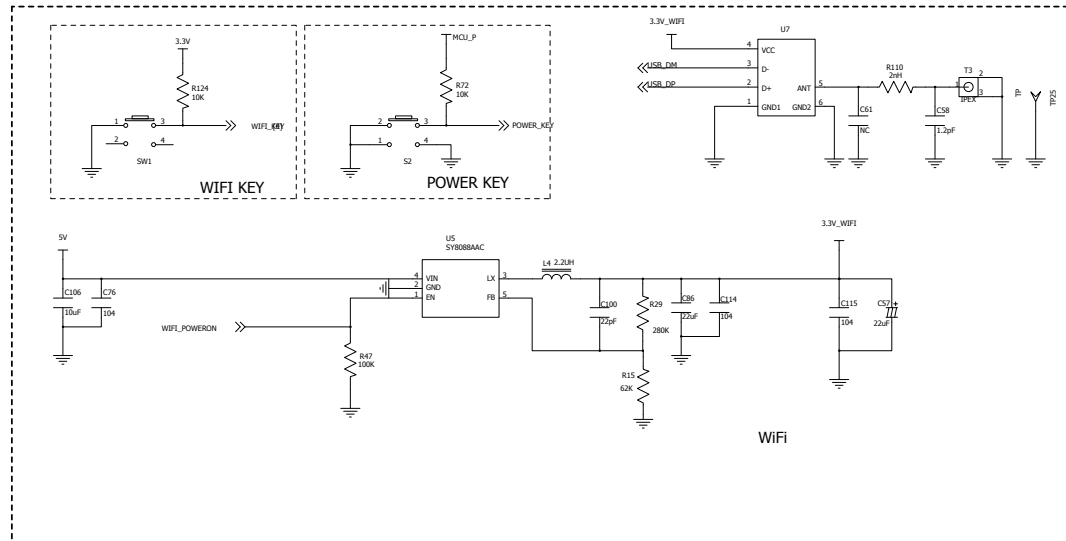


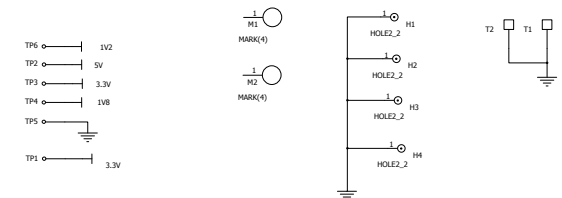
Power



LED



WiFi



Goscam Electronic CO.,LTD

DOC NO: T5800HAV

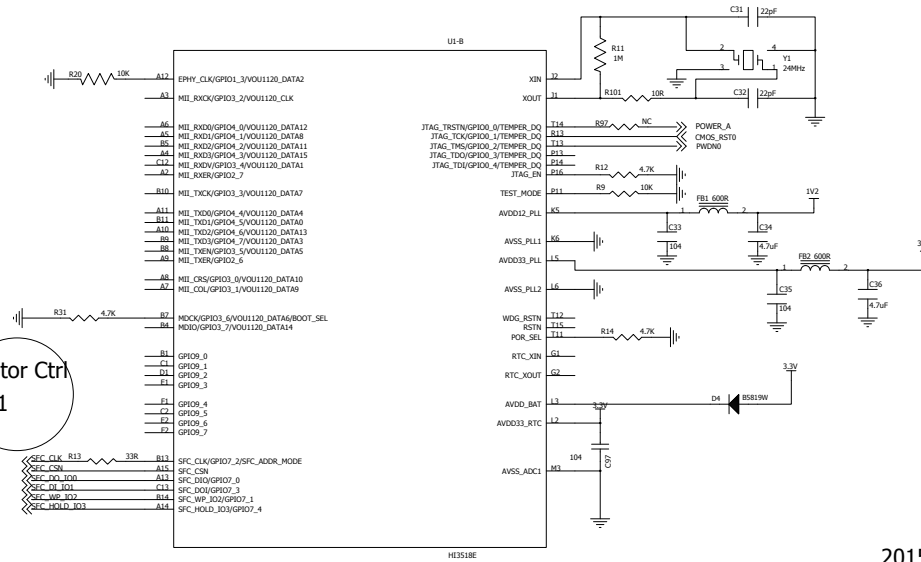
REV: VERSION:

TITLE: T5800HAV MAIN BOARD CIRCUIT

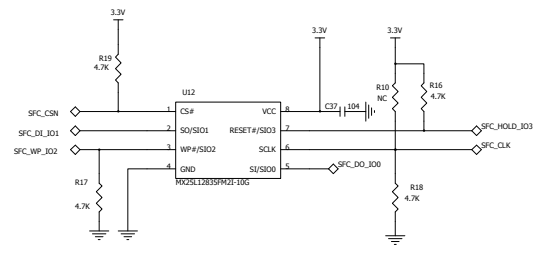
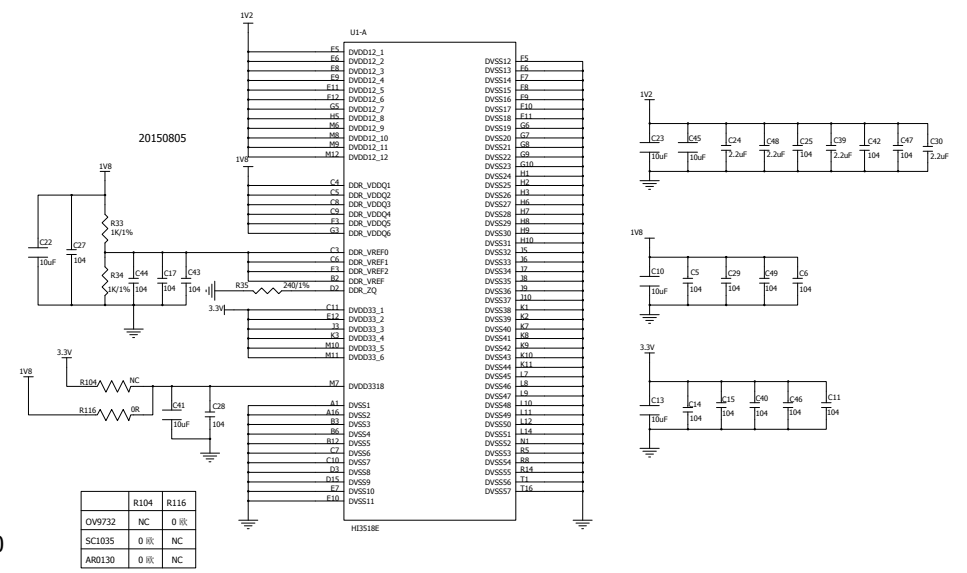
EC: 2016/09/04

Back from SPI Flash

Delect_Motor_Ctrl
20160901



20150120



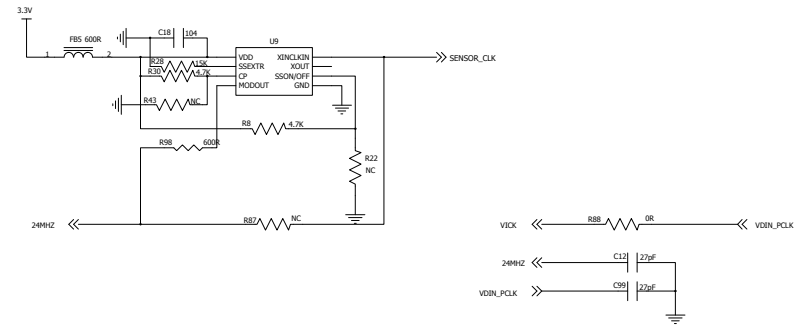
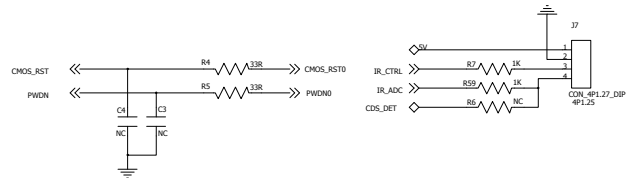
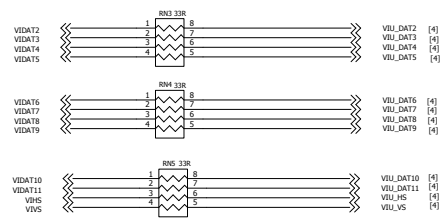
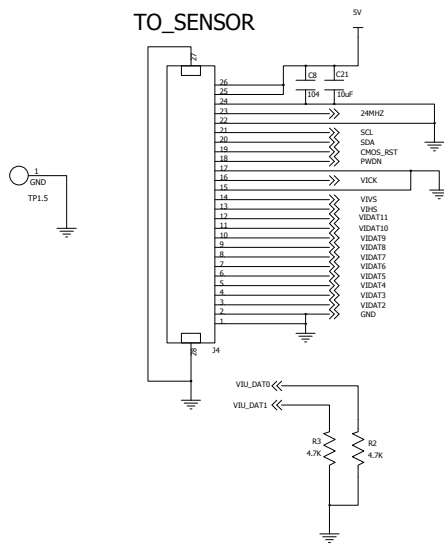
	SFC_ADDR_MODE
0	3 Byte mode
1	4 Byte mode

The configuration of SFC_ADDR_MODE is related to the type of the SPI FLASH.

	R104	R116
OV9732	NC	0 Ω
SC1035	0 Ω	NC
AR0130	0 Ω	NC

Goscam Electronic CO.,LTD

DOC NO: T5800HAV
 REV: VERSION:
 TITLE: T5800HAV MAIN BOARD CIRCUIT
 EC: 2016/09/04



Goscam Electronic CO.,LTD

DOC NO: T5800HAV

REV: VERSION:

TITLE: T5800HAV MAIN BOARD CIRCUIT

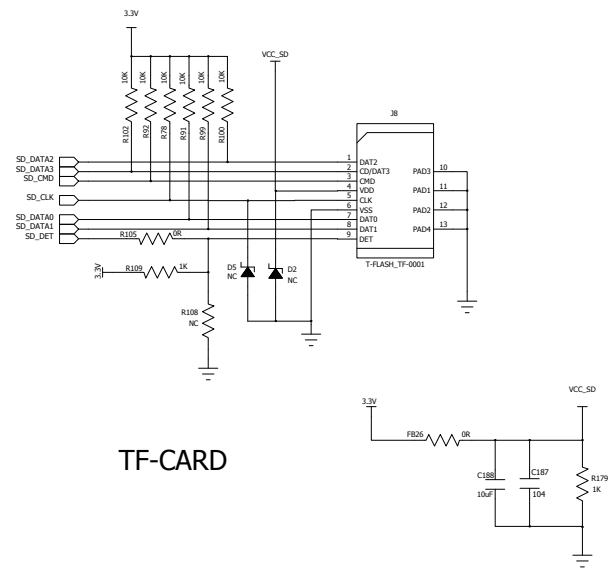
EC: 2016/09/04

VIDEO

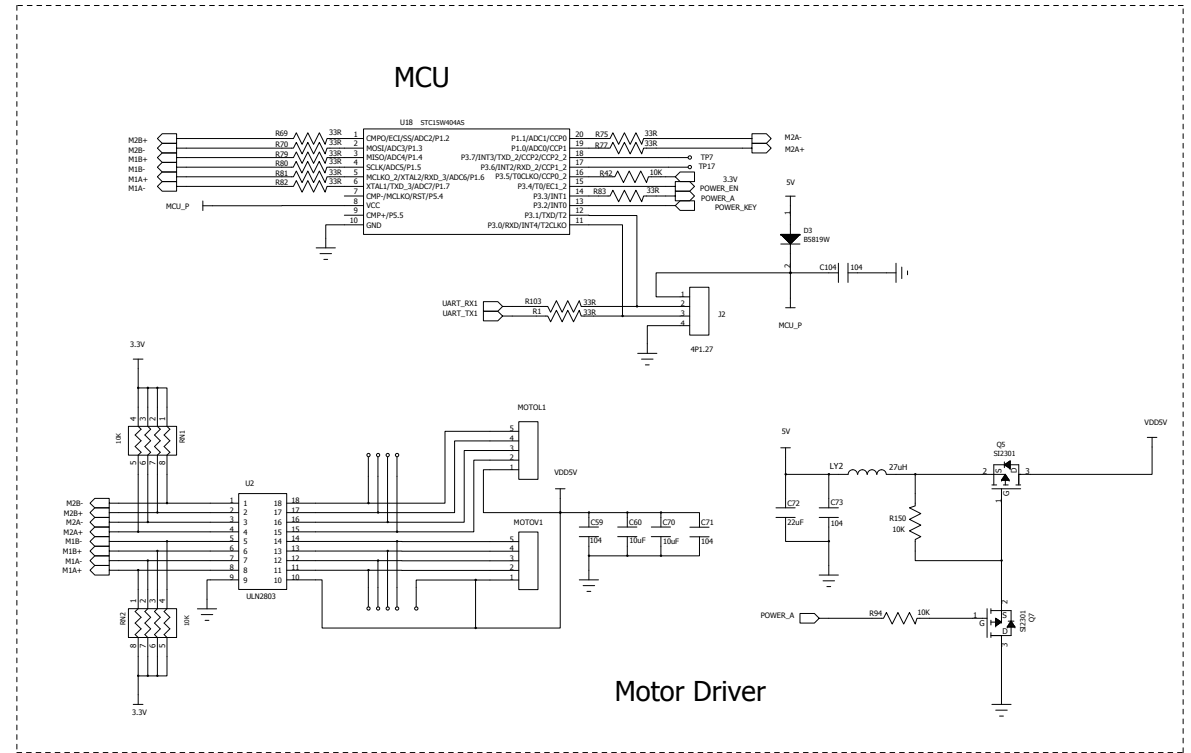
4 of 5

FOR ITEM DATA SEE PRINTED REPORT

DEV



TF-CARD



Motor Driver

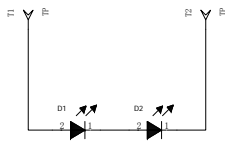
Goscam Electronic CO.,LTD

DOC NO: T5800HAV

REV: VERSION:

TITLE: T5800HAV MAIN BOARD CIRCUIT

EC: 2016/09/04



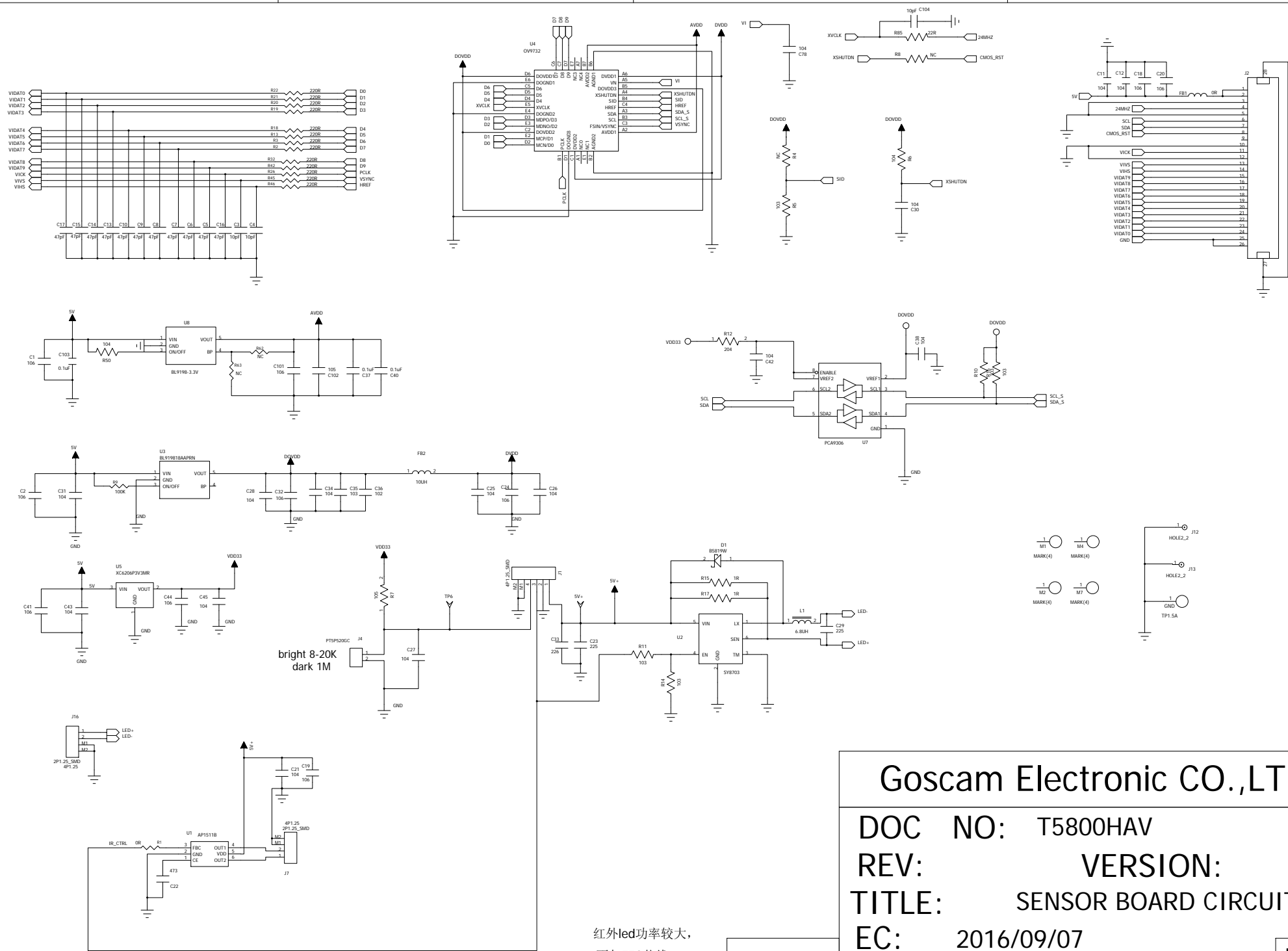
Goscam Electronic CO.,LTD

DOC NO: T5800HAV

REV: VERSION:

TITLE: LED BOARD CIRCUIT

EC: 2016/08/22



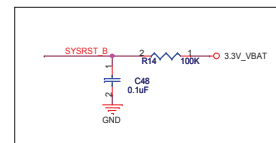
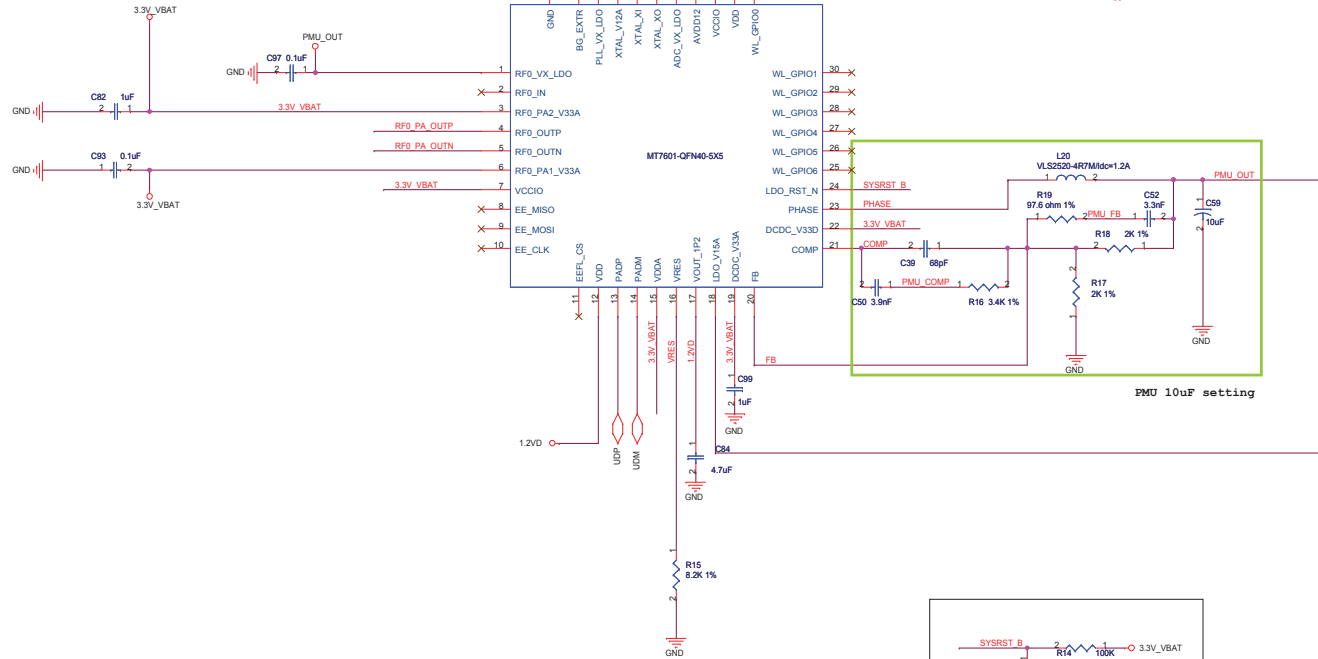
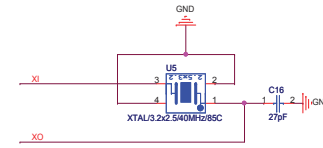
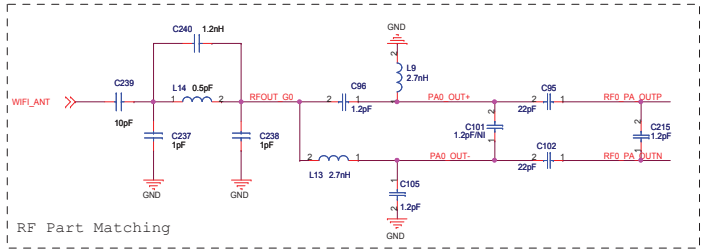
红外led功率较大，
不与FFC共线

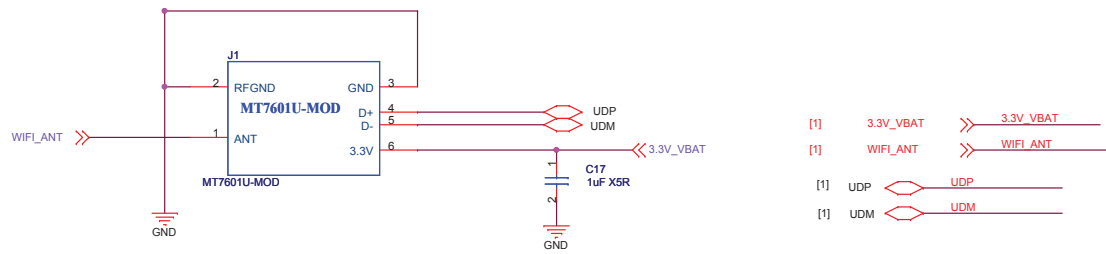
Goscam Electronic CO.,LTD

DOC NO: T5800HAV
 REV: VERSION:
 TITLE: SENSOR BOARD CIRCUIT
 EC: 2016/09/07

FOR ITEM DATA SEE PRINTED REPORT

DEV





- [1] 3.3V_VBAT >> 3.3V_VBAT
- [1] WIFI_ANT >> WIFI_ANT
- [1] UDP << UDP
- [1] UDM << UDM

Title			MOD Module		
Size	Document Number				Rev
A3	MT7601U MOD Module				v2.0
Date:	Wednesday, January 16, 2013	Sheet	2	of	5