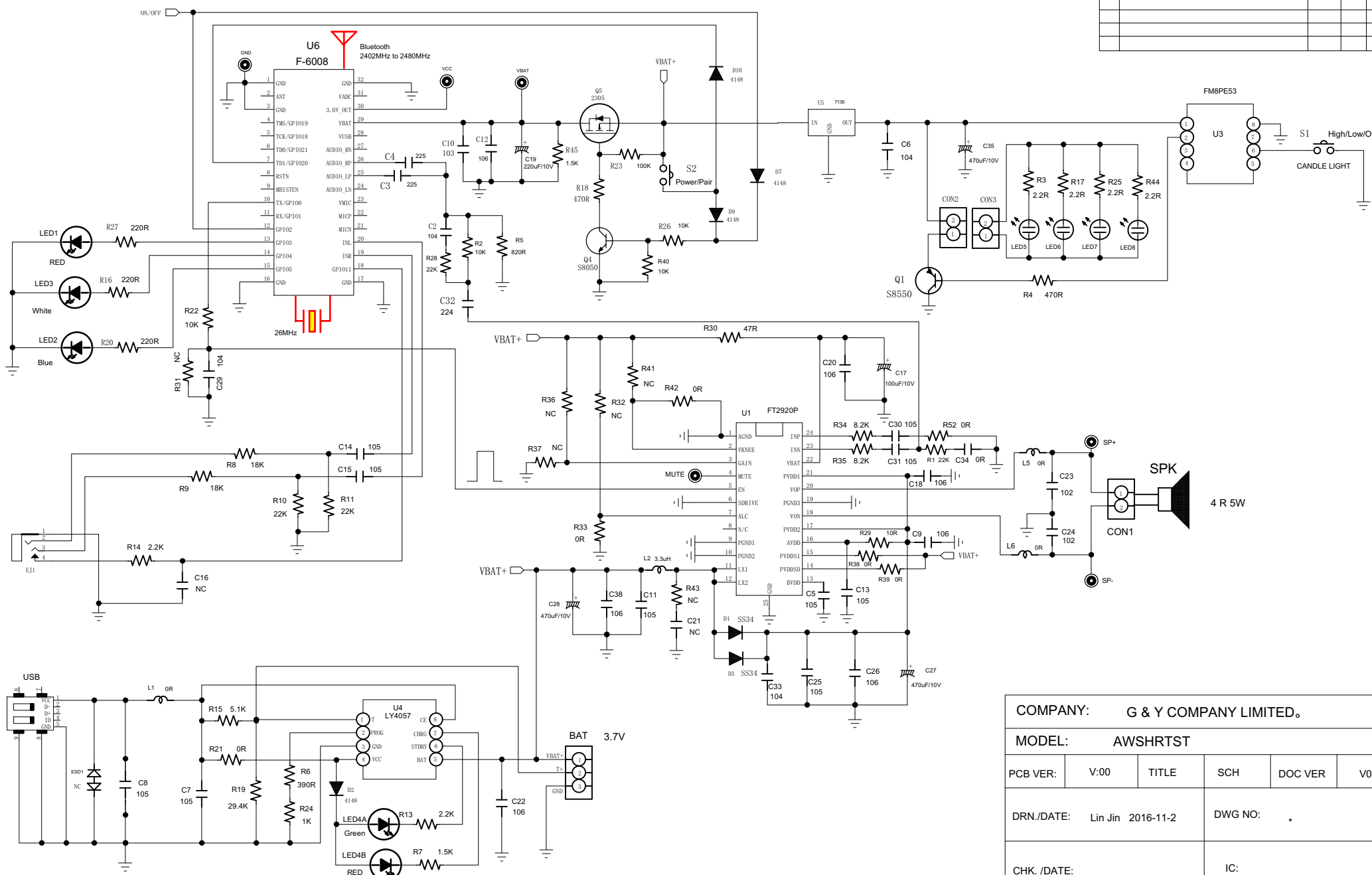


REV.	MODIFICATION	DATE:	CHK:	APP:
1				



COMPANY: G & Y COMPANY LIMITED.					
MODEL: AWSHRTST					
PCB VER:	V:00	TITLE	SCH	DOC VER	V00
DRN./DATE: Lin Jin 2016-11-2			DWG NO: *		
CHK. /DATE:			IC:		
APP. /DATE:			LCD:		
<input type="checkbox"/> TO FILE			SHEET OF: 1/1		

D

D

C

C

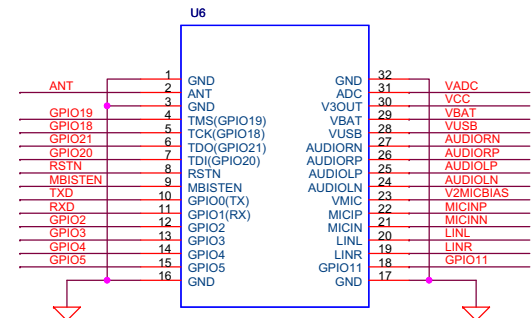
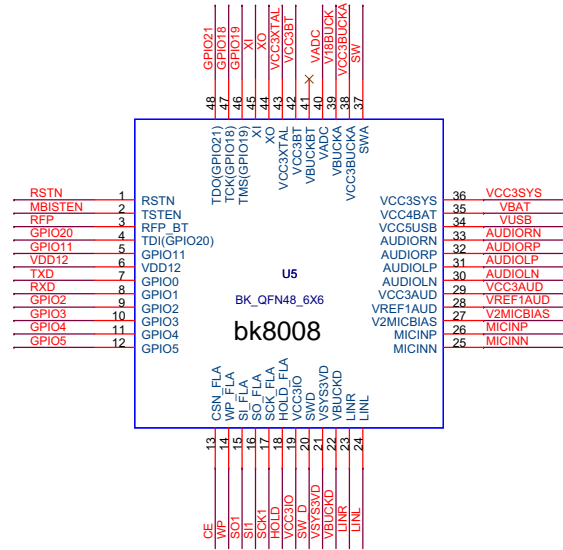
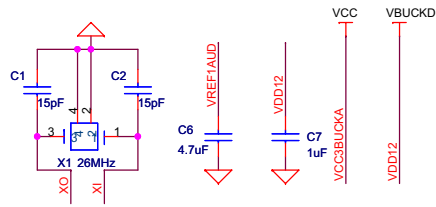
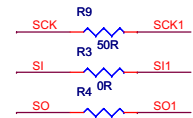
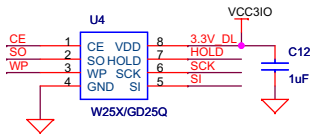
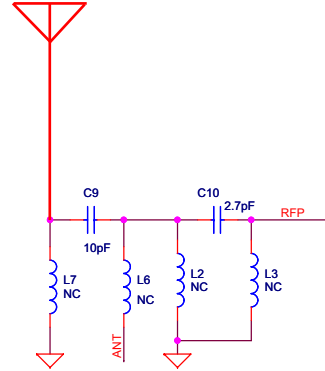
B

B

A

A

Bluetooth  
2402MHz to 2480MHz



F-6008

