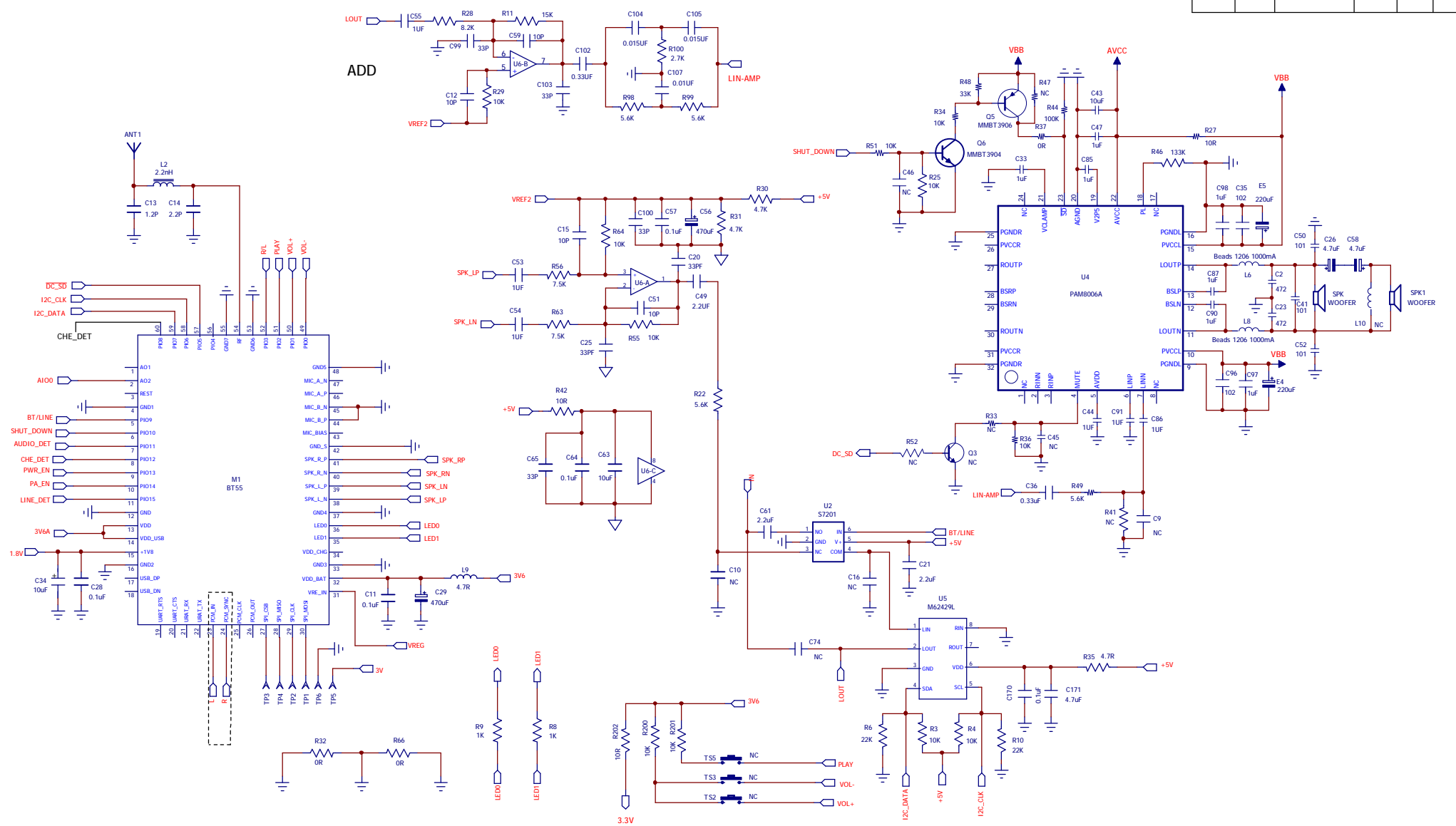
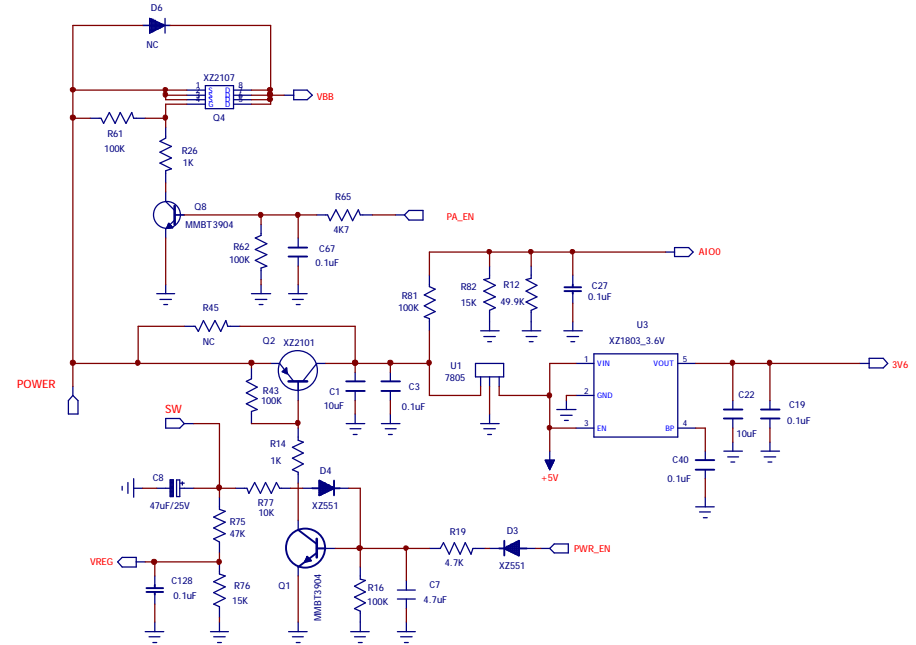
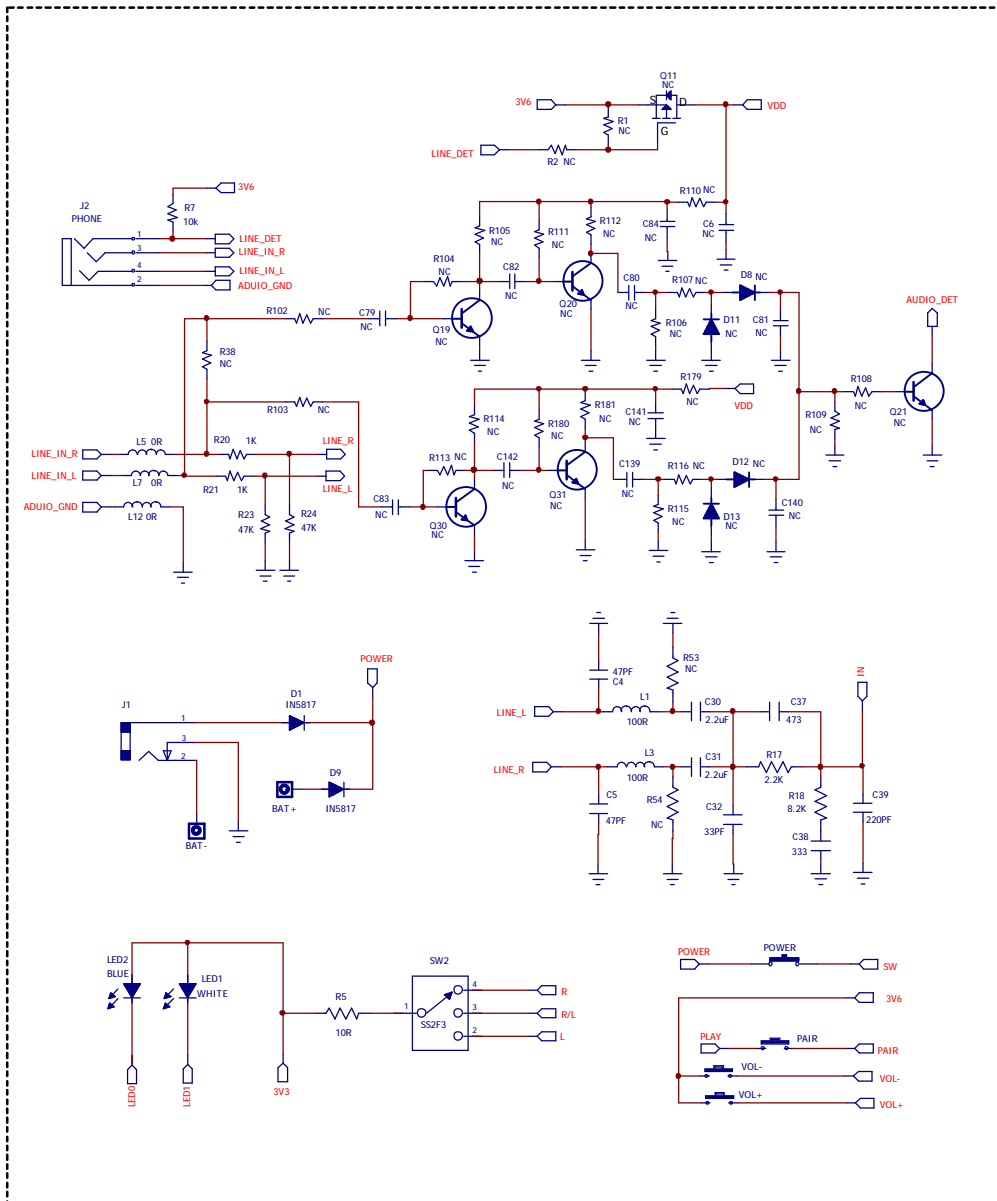


REVISION RECORD						
REVISION	ECN NO.	DESCRIPTION	PART NO.	CHG BY	APPR BY	DATE



TITLE: SCHEMATIC OF AWSEE2	
MATERIAL/THICKNESS:	MODEL : AWSEE2
FILE NAME:	PART NO:
DRAWING BY:	DATE:
CHECKED BY:	DATE:
APPROVED BY:	DATE:
AAI Acoustic Arc International Ltd	

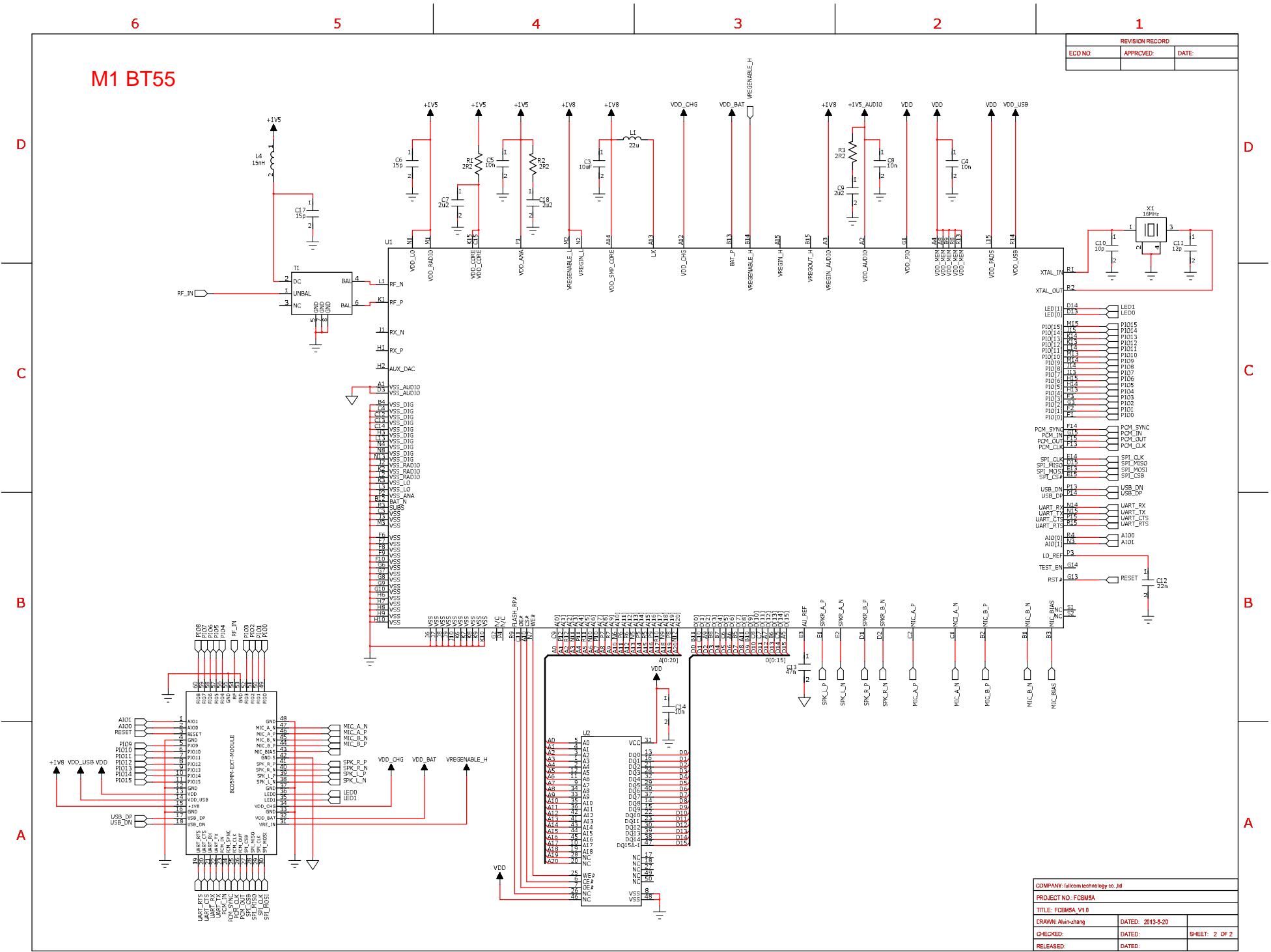
REVISION RECORD						
REVISION	ECN NO.	DESCRIPTION	PART NO.	CHG BY	APPR. BY	DATE



TITLE: SCHEMATIC OF AWSEE2	
MATERIAL/THICKNESS:	MODEL : AWSEE2
FILE NAME:	PART NO:
DRAWING BY:	DATE:
CHECKED BY:	DATE:
APPROVED BY:	DATE:
AAI Acoustic Arc International Ltd	

M1 BT55

REVISION RECORD		
EDD NO.	APPROVED:	DATE



COMPANY: fullcom technology co., Ltd		
PROJECT NO: FCBM5A		
TITLE: FCBM5A_V1.0		
DRAWN: Akin-zhang	DATED: 2013-5-20	
CHECKED:	DATED:	SHEET: 2 OF 2
RELEASED:	DATED:	