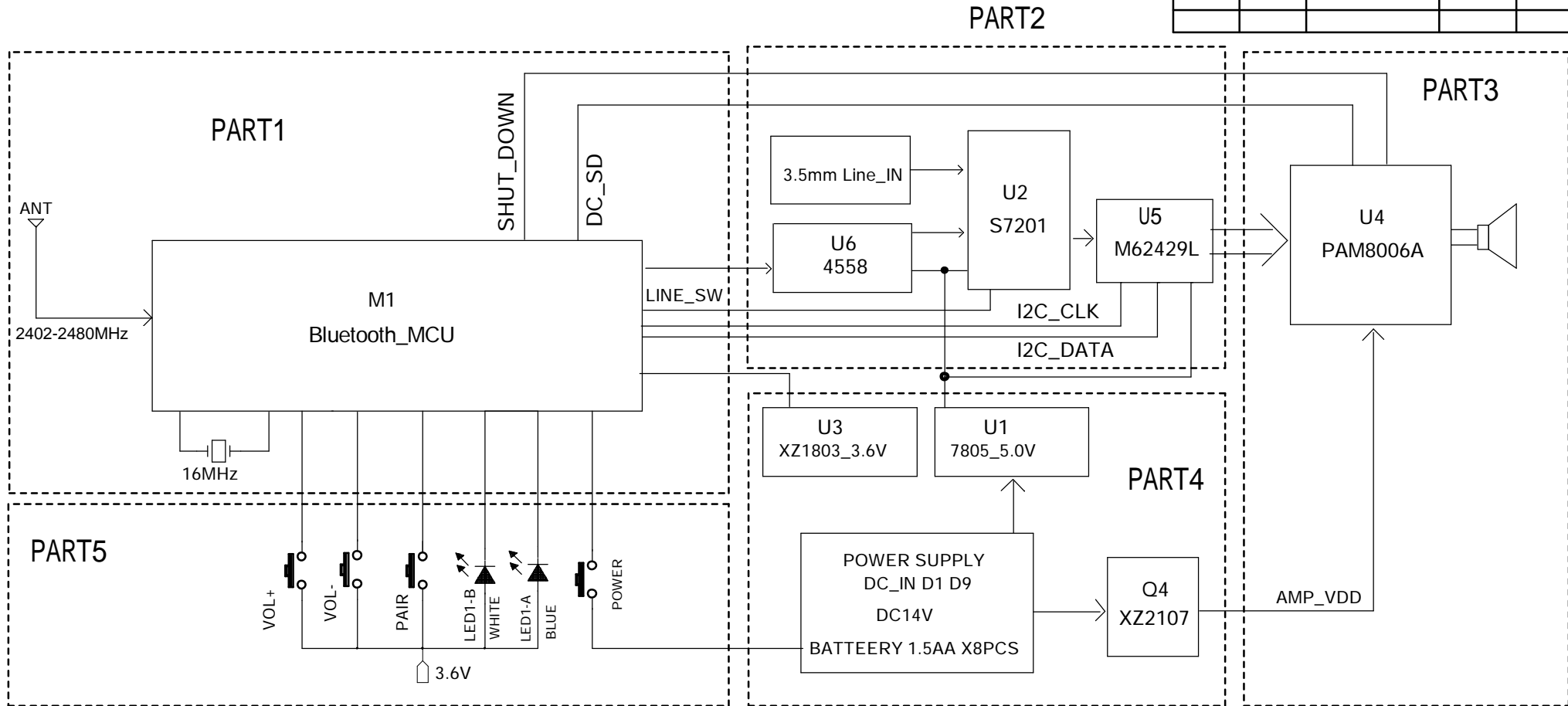


BLOCK DIAGRAM OF AWSEE2

REVISION RECORD					
REVISION	ECN NO	DESCRIPTION	PART NO	CHG.BY	DATE



FUNCTIONAL DESCRIPTION

- 1.PART1: M1 MCU_SOC Contains RF Preamplifier, mixing, IF amplifier, Demodulation
- 2.PART2: Line Input And U6 Bluetooth Input U2 Switch Function U5 Volume Control
- 3.PART3: U4 PAM8006A AUDIO AMPLIFIER IC
- 4.PART4: DC BATTERY INPUT POWER SUPPLY AMP_VDD U1,3 Manostat 5.0V_3.3V
- 5.PART5: LED1 KEY OPERATING And Working instructions LED

TITLE: BLOCK DIAGRAM OF AWSEE2		
MATERIAL/THICKNESS:		MODEL: AWSEE2
FILE NAME:		PART NO:
DRAWN BY:	DATE:	REV: A0
CHECKED BY:	DATE:	SHEET 1 OF 1
APPROVED BY:	DATE:	DWG.NO: AAH-E-BL-A-0304
AAI Acoustic Arc International Ltd.		

The Block Diagram (M1 BT55)

