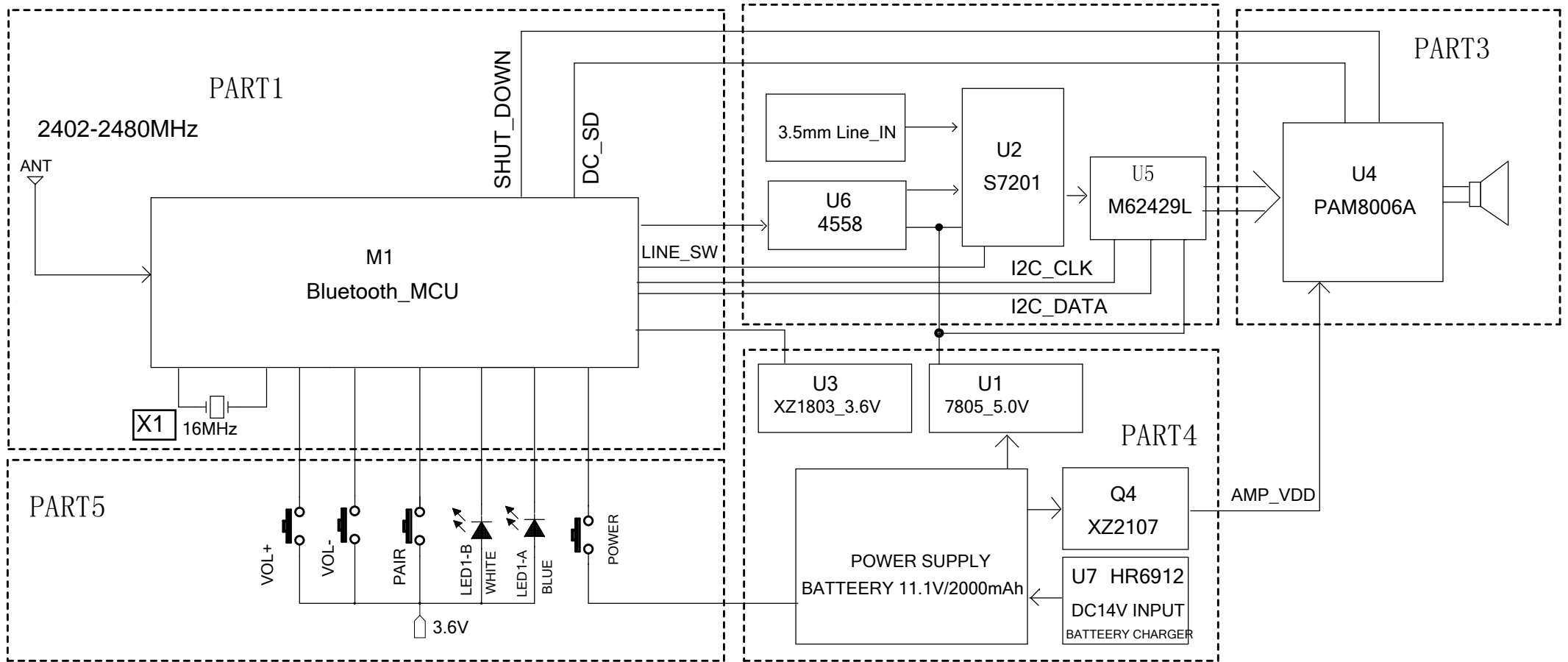


BLOCK DIAGRAM OF BS1450

REVISION RECORD					
REVISION	ECN NO	DESCRIPTION	PART NO	CHG.BY	DATE



FUNCTIONAL DESCRIPTION

- 1.PART1: M1 MCU_SOC Contains RF Preamplifier, mixing, IF amplifier, Demodulation
- 2.PART2: Line Input And U6 Bluetooth Input U2 Switch Function U5 Volume Control
- 3.PART3: U4 PAM8006A AUDIO AMPLIFIER IC
- 4.PART4: BATTERY CHARGER & BATTERY SUPPLY AMP_VDD U1,3 Manostat 5.0V_3.3V
- 5.PART5: LED1 KEY OPERATING And Working instructions LED

TITLE: BLOCK DIAGRAM OF BS1450		
MATERIAL/THICKNESS:		MODEL: BS1450
FILE NAME:		PART NO:
DRAWN BY: LiuDongHua	DATE: 3 Dec 2014	REV: A0
CHECKED BY:	DATE:	SHEET 1 OF 1
APPROVED BY:	DATE:	DWG.NO: AA-E-BL-A-0318
AAI Acoustic Arc International Ltd.		

The Block Diagram

