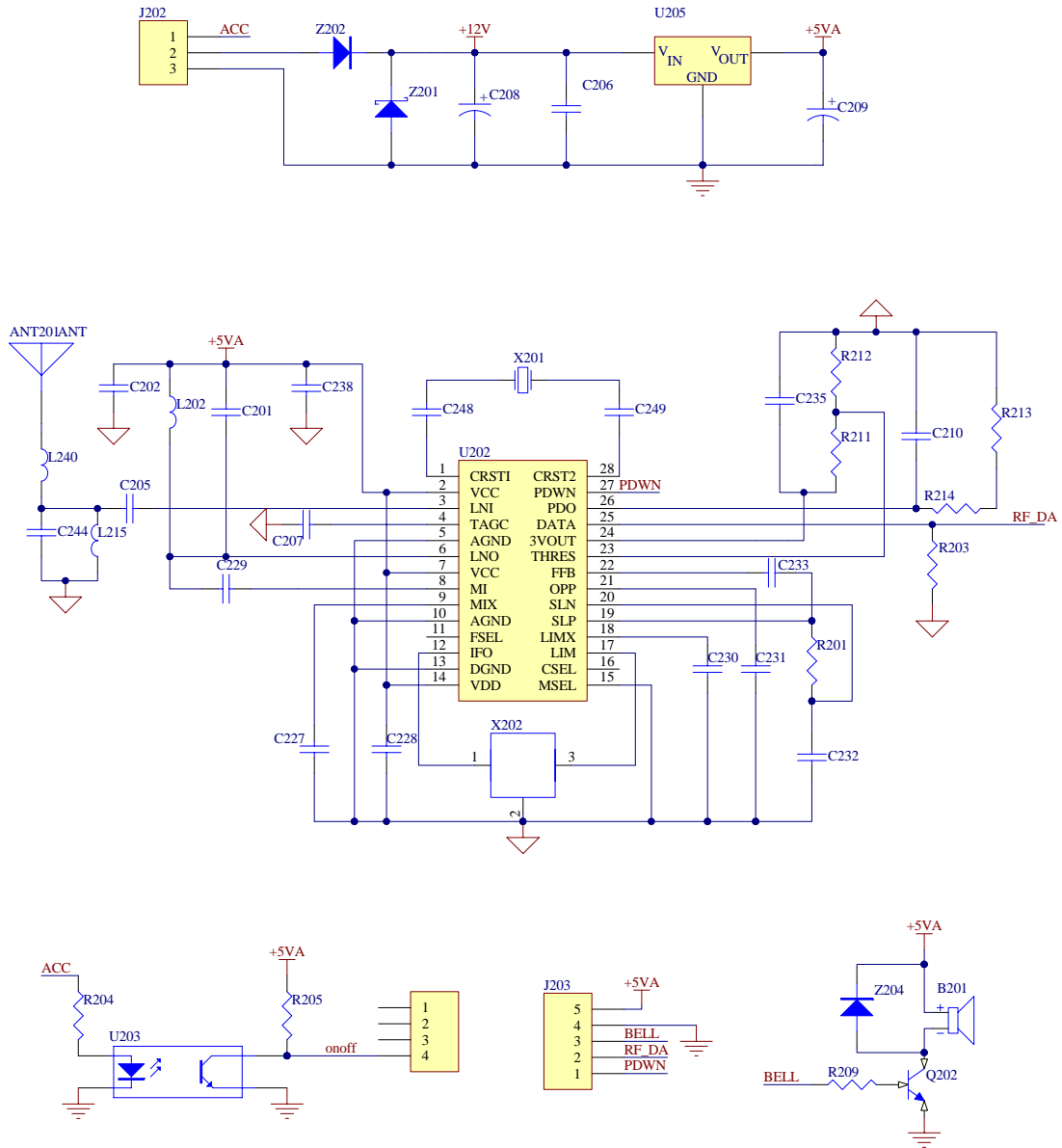


(a) Schematic Diagram of the PCB1



(b) Schematic Diagram of the PCB2

\*: J302 of the PCB1 is connected to the J203 of the PCB2;