
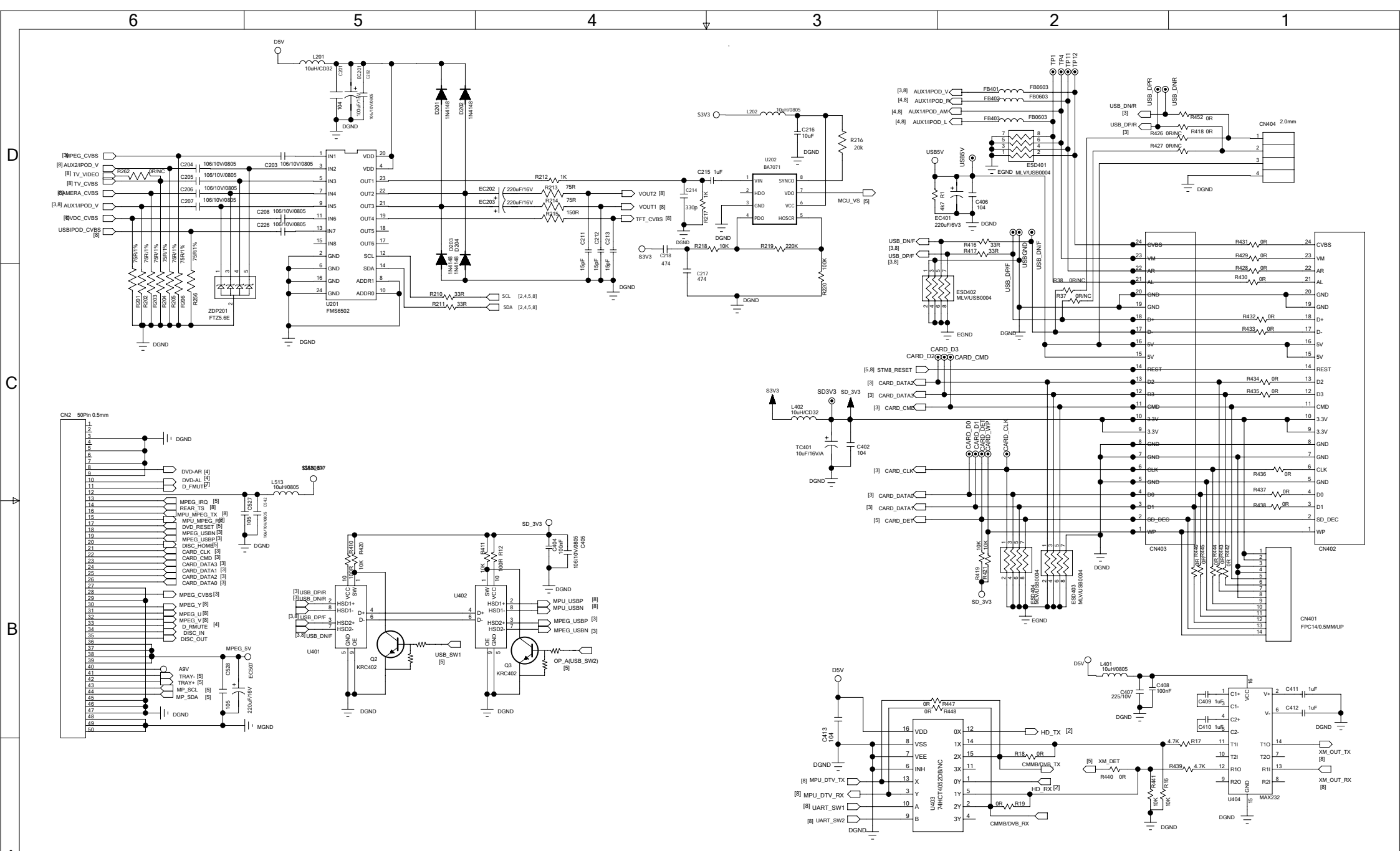



MODEL NO	CE6904 - KB			 <b>Foryou General Electronics Co., Ltd.</b>			
DESCRIPTION	KeyBoard		SHEET: 1/1		SCH REVISION: V00	PCB REVISION: V00	
CODE NO	CE6904_123010002134			DRAWN BY	CHECKED BY	TECHNICS BY	APPROVED BY





MODEL NO	CE6904 - MB			 Foryou General Electronics Co., Ltd.
DESCRIPTION	UART_SD_USB/VIDEO			
CODE NO:CE6902MB-123015020495	SHEET: 3 / 8	SCH REVISION:V02	PCB REVISION:V02	
	DRAWN BY	CHECKED BY	TECHNICS BY	APPROVED BY

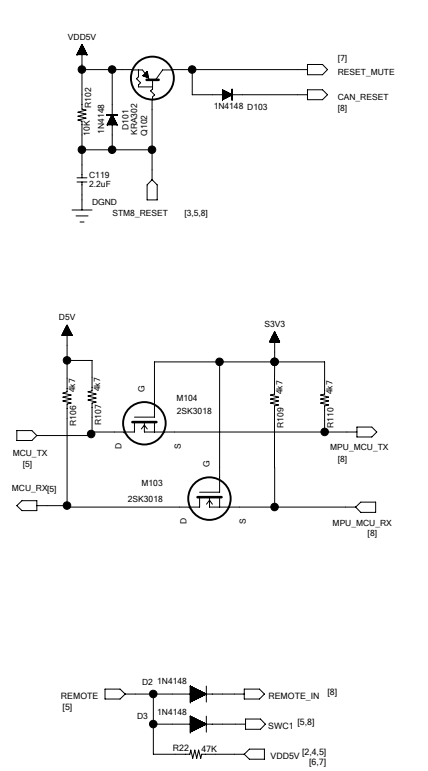
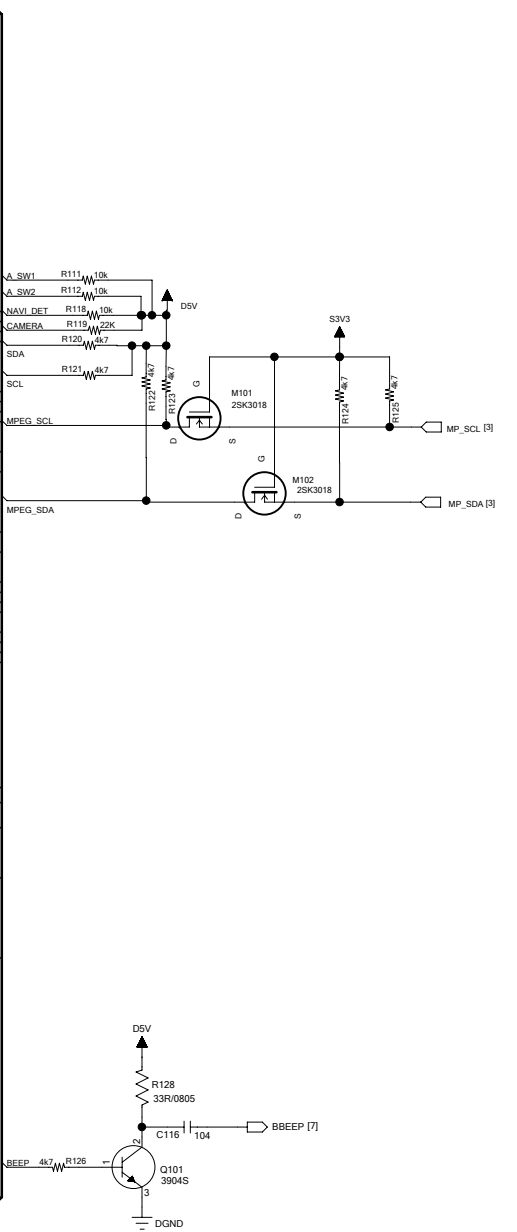
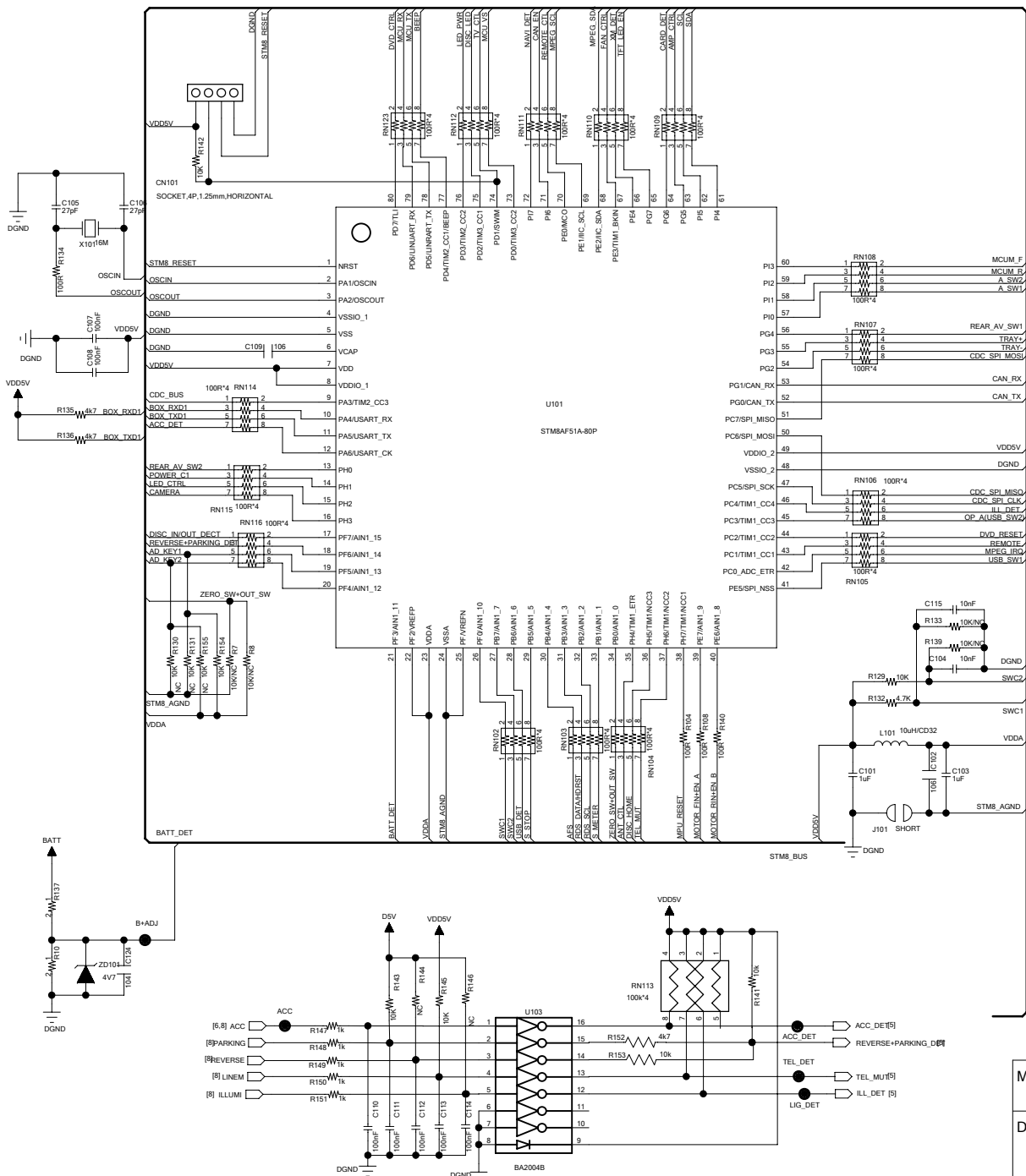


D

C

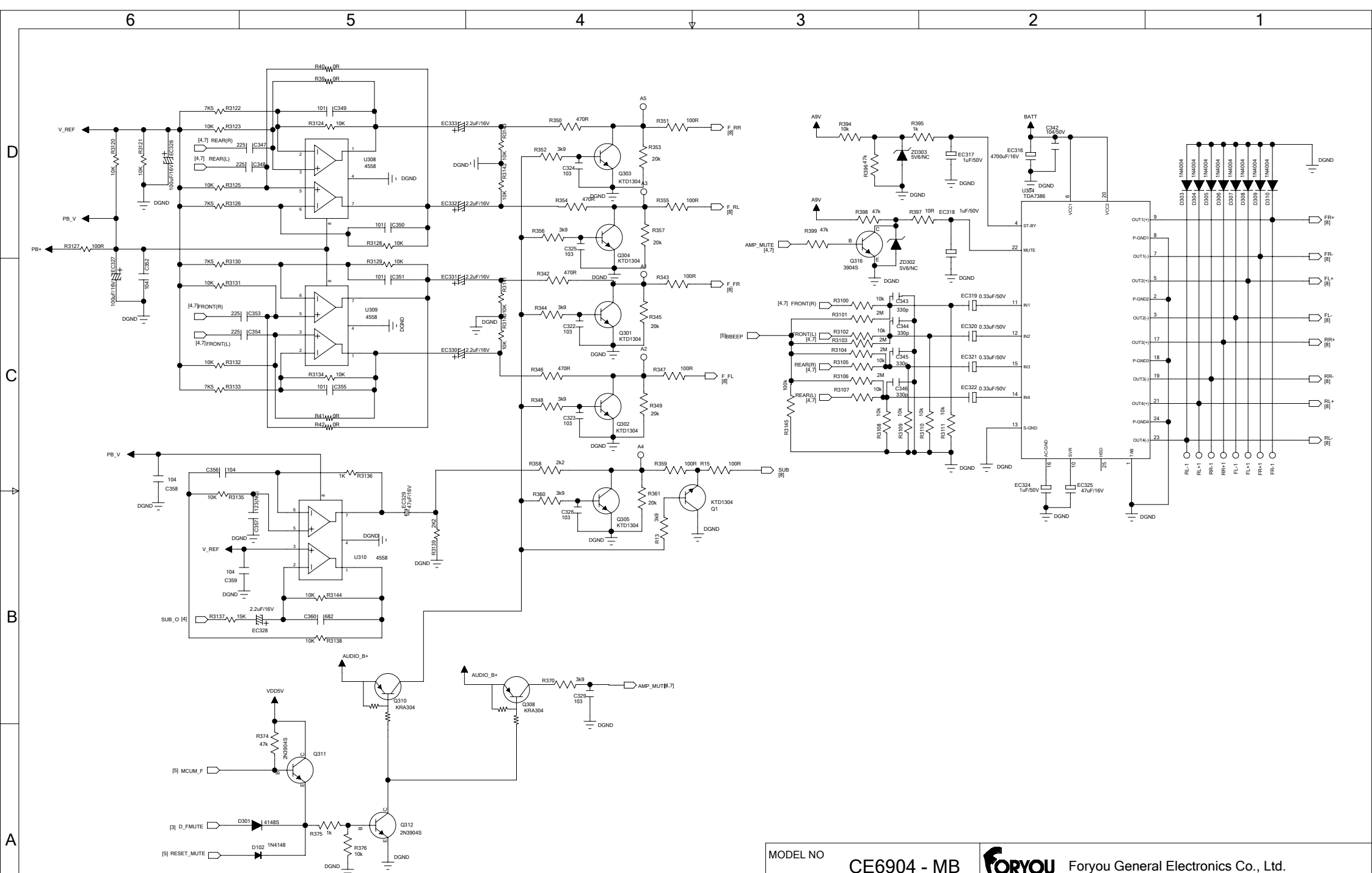
B

A

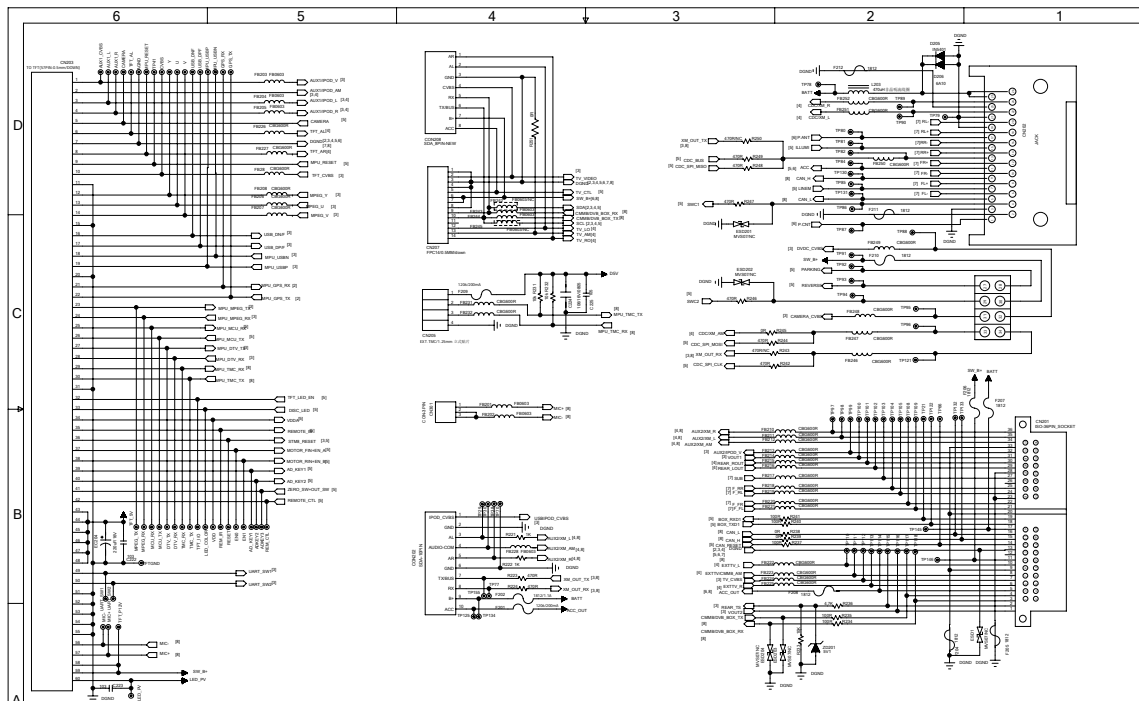



MODEL NO	CE6904 - MB			Foryou General Electronics Co., Ltd.
DESCRIPTION	MCU			
DRAWN BY	SHEET: 5 / 8	SCH REVISION:V02	PCB REVISION:V02	
	CHECKED BY	TECHNICS BY	APPROVED BY	
CODE NO:CE6902MB-123015020495				





MODEL NO	CE6904 - MB			FORYOU Foryou General Electronics Co., Ltd.		
DESCRIPTION	SHEET: 7 / 8		SCH REVISION:V02		PCB REVISION:V02	
	DRAWN BY		CHECKED BY		TECHNICS BY	
CODE NO:CE6902MB-123015020495						

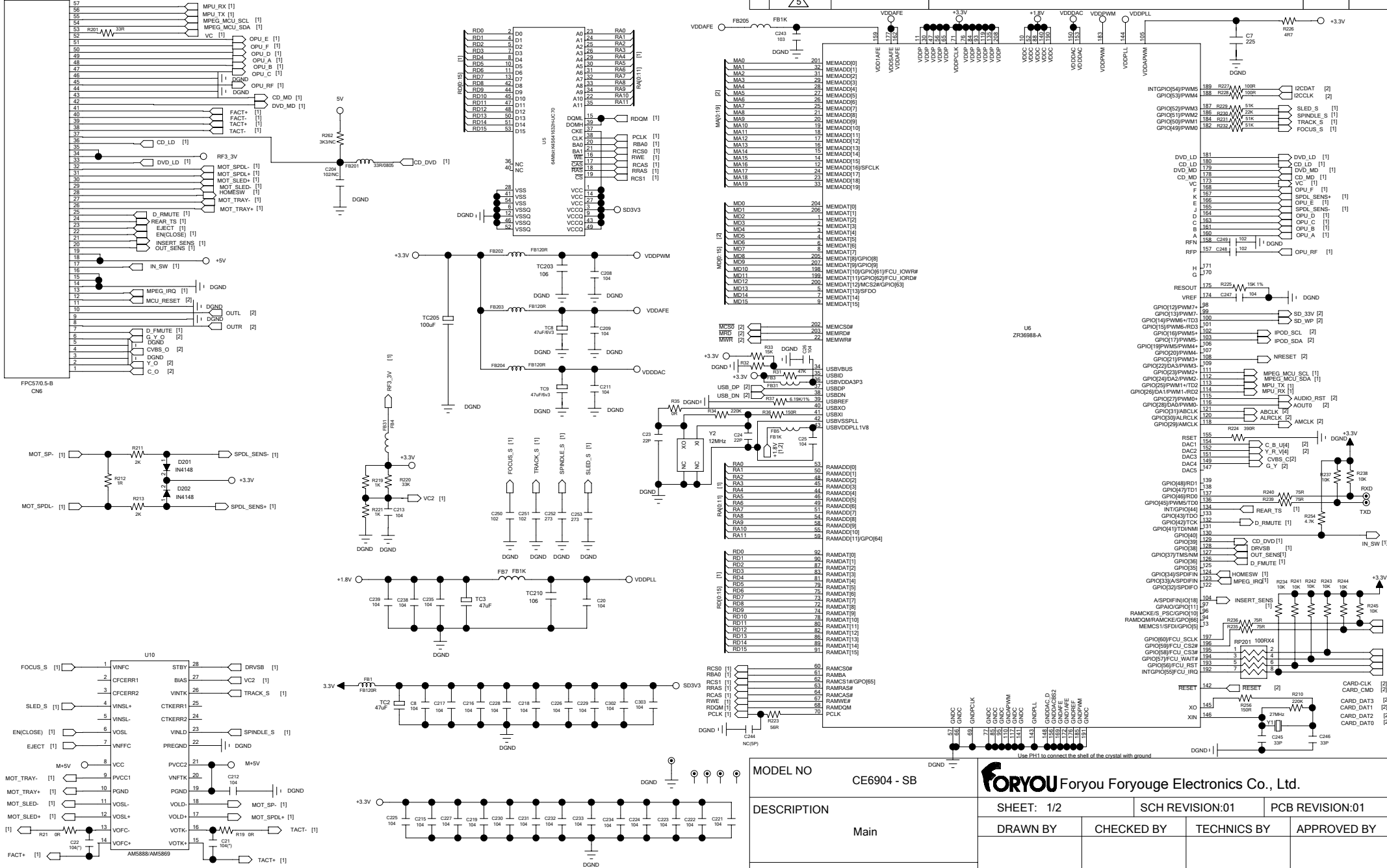


MODEL NO	CE6904 - MB	 Foryou General Electronics Co., Ltd.		
DESCRIPTION	INTERFACE	SHEET: 8 / 8	SCH REVISION: V02	PCB REVISION: V02
CODE NO: CE6902MB-123015020495		DRAWN BY	CHECKED BY	TECHNICS BY
				APPROVED BY



MARKS	REF NO	DESCRIPTION	SGN	APP
1				
2				
3				
4				
5				

CHANGE



MODEL NO	CE6904 - SB	FORYOU Foryou Foryouge Electronics Co., Ltd.	
DESCRIPTION	Main	SHEET: 1/2	SCH REVISION:01
		PCB REVISION:01	
		DRAWN BY	CHECKED BY
		TECHNICS BY	APPROVED BY
CODE NO:	CE6902SB-123015000494		

6

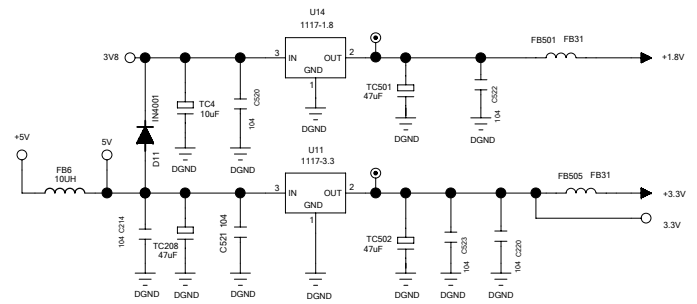
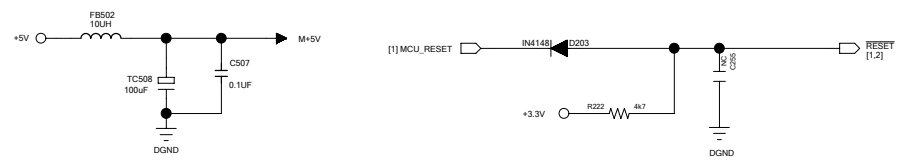
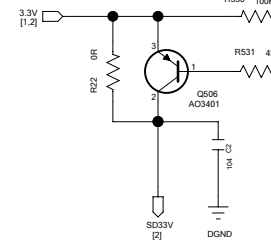
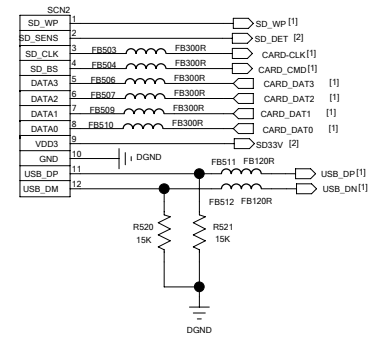
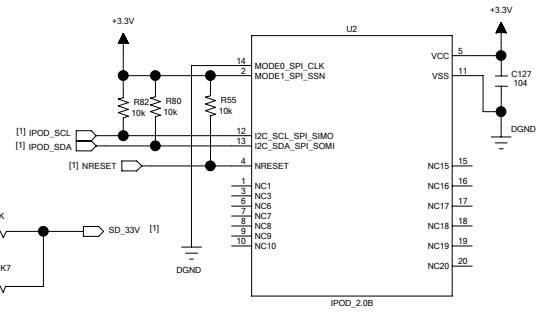
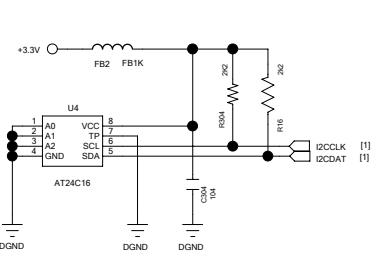
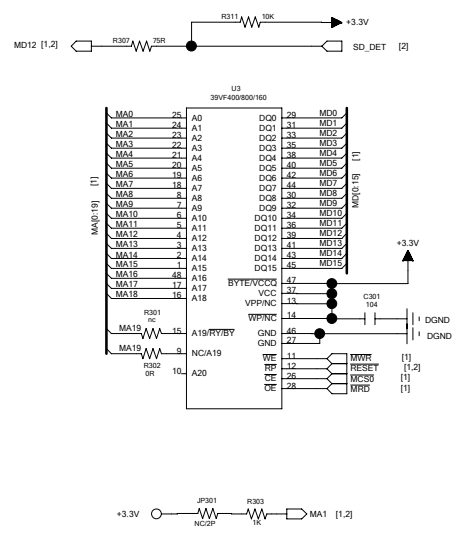
5

4

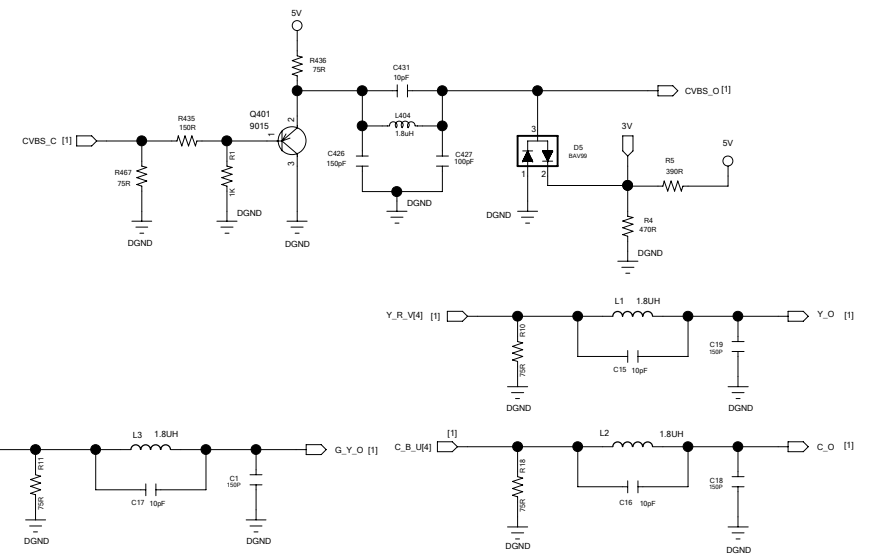
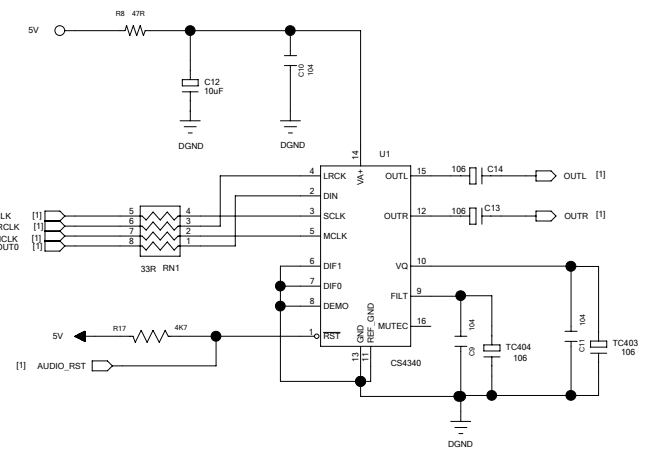
3

2

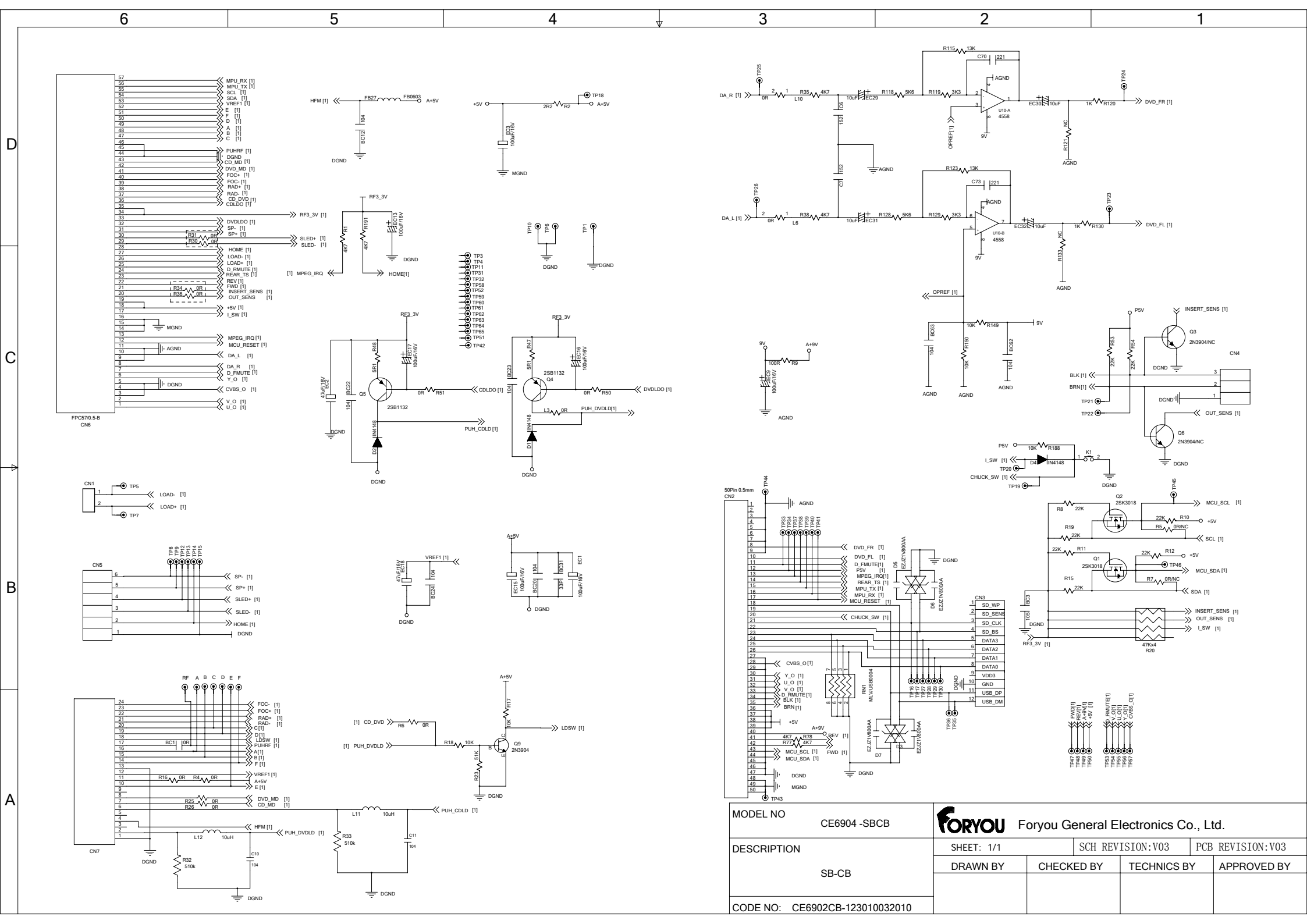
1



CHANGE	MARKS	REF NO	DESCRIPTION	SGN	APP
1					
2					
3					
4					
5					



MODEL NO	CE6904 - SB				
DESCRIPTION	AV out/POWER				
CODE NO	CE6902SB-123015000494	SHEET: 2 / 2	SCH REVISION:01	PCB REVISION:01	
		DRAWN BY	CHECKED BY	TECHNICS BY	APPROVED BY



MODEL NO	CE6904-SBCB
DESCRIPTION	SB-CB
CODE NO:	CE6902CB-123010032010

<b>FORYOU</b> Foryou General Electronics Co., Ltd.			
SHEET: 1/1	SCH REVISION:V03	PCB REVISION:V03	
DRAWN BY	CHECKED BY	TECHNICS BY	APPROVED BY