

MODEL NO	VM9224BT			Foryou General Electronics Co., Ltd.			
DESCRIPTION	Power/Con.			SHEET: 2 / 5	SCH REVISION: V02	PCB REVISION: V02	
CODE NO	123010002122			DRAWN BY	CHECKED BY	TECHNICS BY	APPROVED BY
				HWJ			

6

5

4

3

2

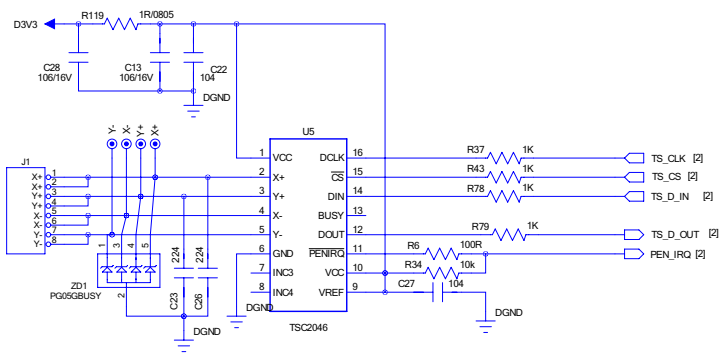
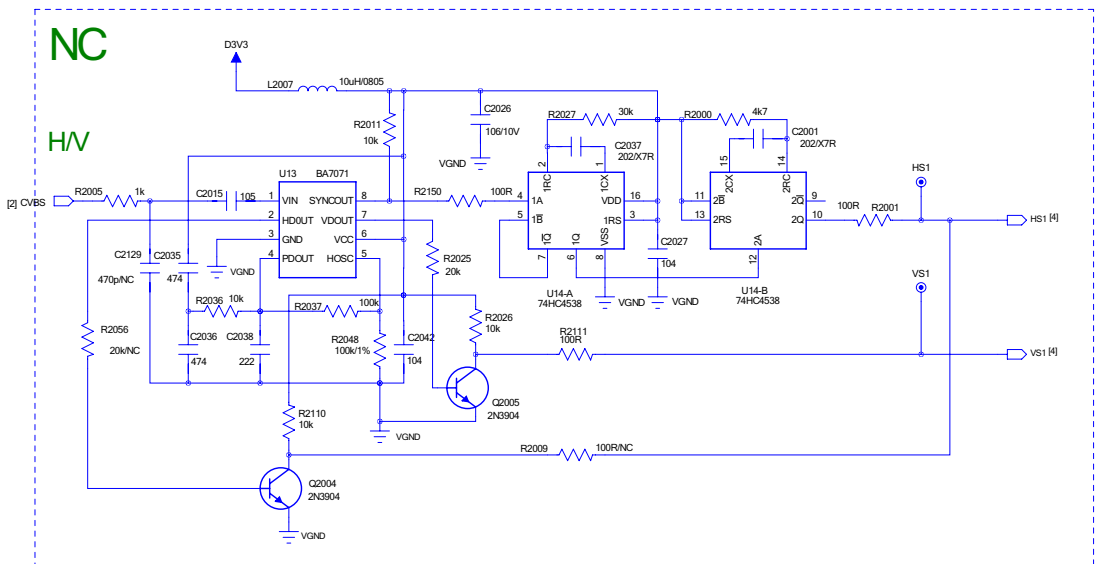
1

D

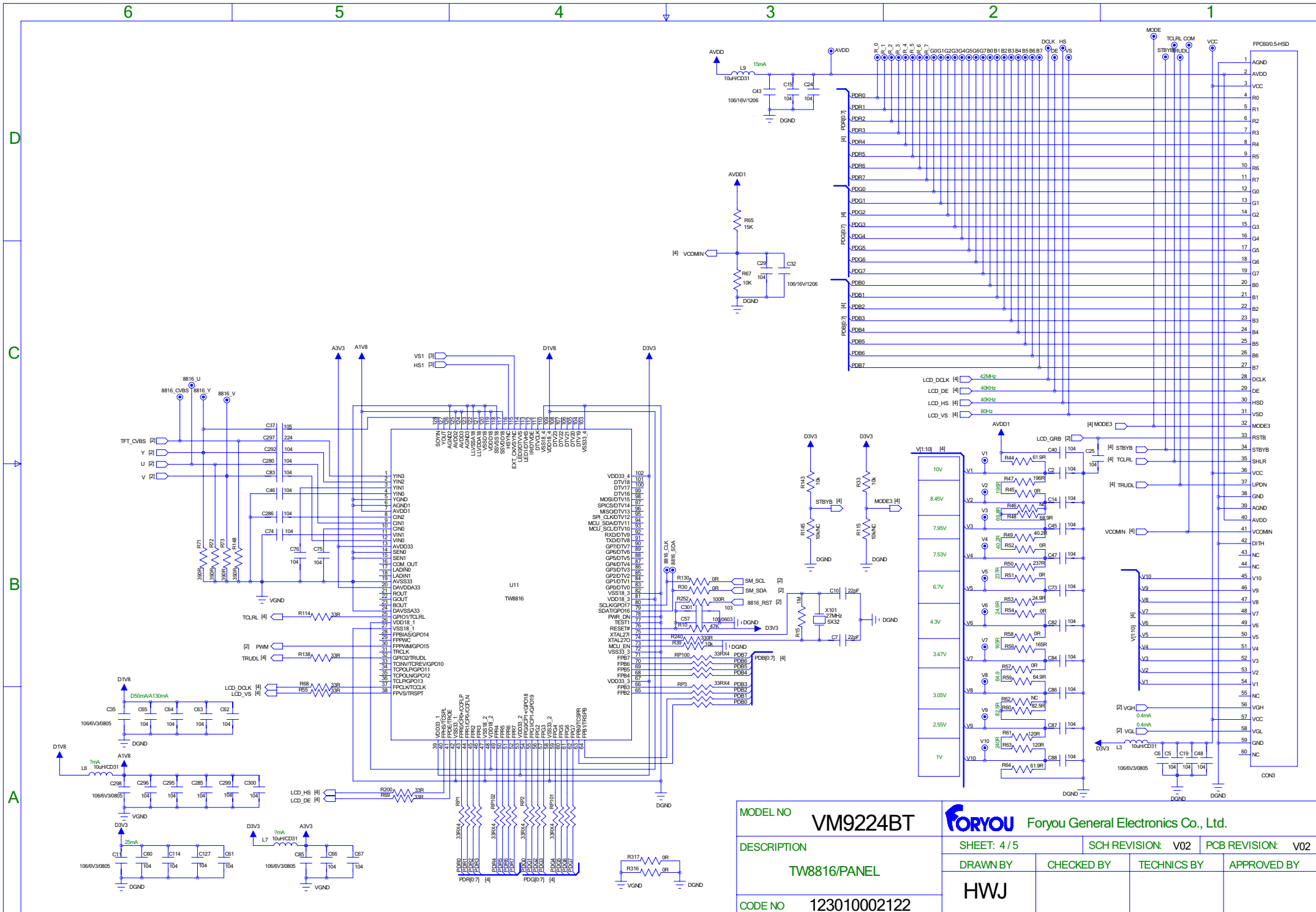
C

B

A



MODEL NO	VM9224BT			<b>FORYOU</b> Foryou General Electronics Co., Ltd.			
DESCRIPTION	SHEET: 3/ 5		SCH REVISION: V02		PCB REVISION: V02		
	TOUCH		DRAWN BY	CHECKED BY	TECHNICS BY	APPROVED BY	
CODE NO	123010002122		HWJ				



MODEL NO VM9224BT

DESCRIPTION TW8816/PANEL

CODE NO 123010002122

**FORYOU** Foryou General Electronics Co., Ltd.

SHEET: 4 / 5

SCH REVISION: V02 PCB REVISION: V02

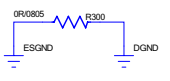
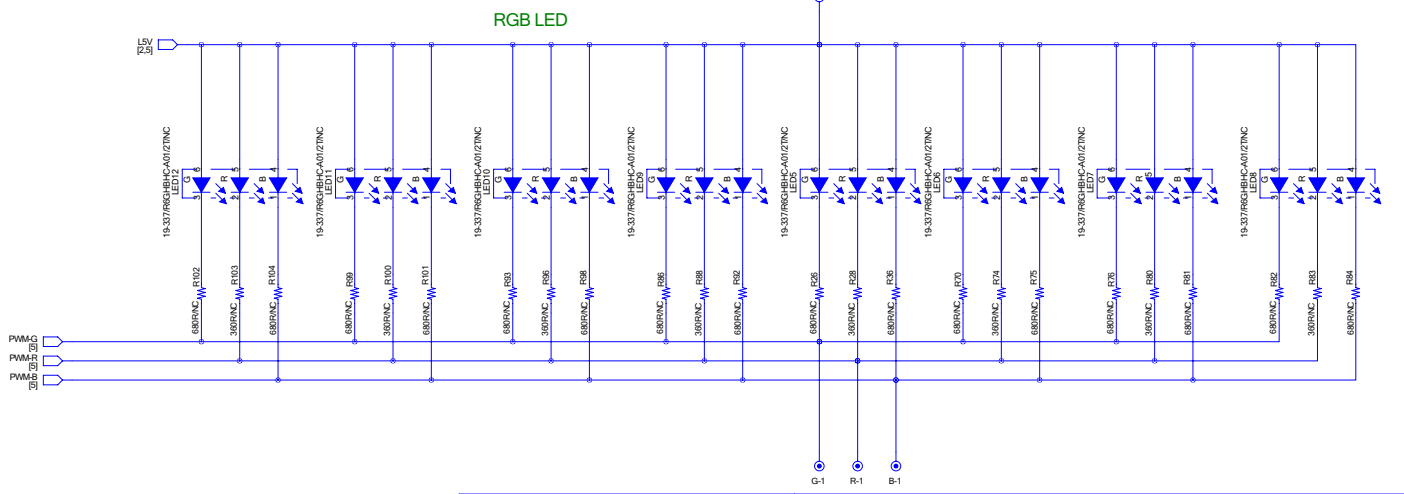
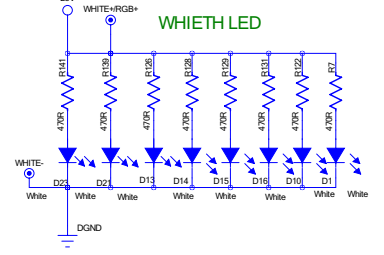
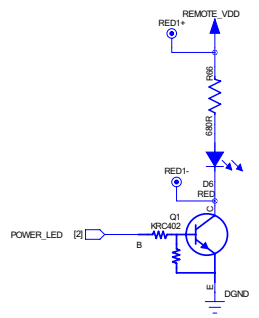
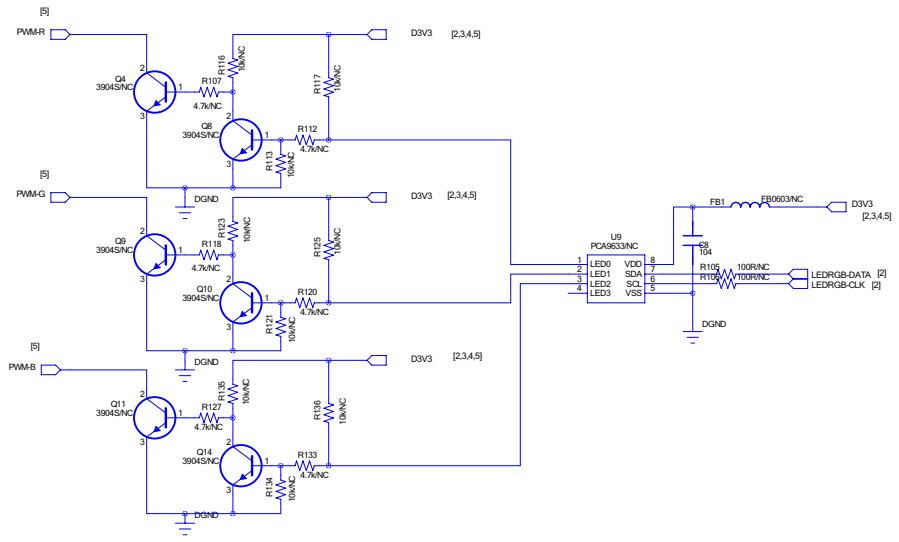
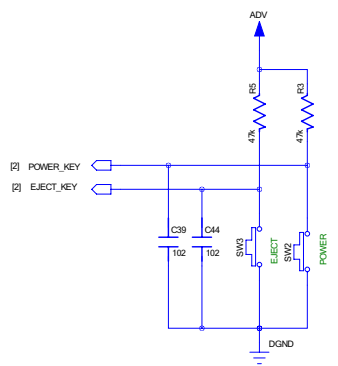
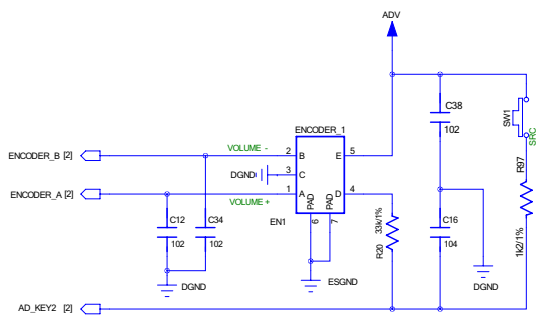
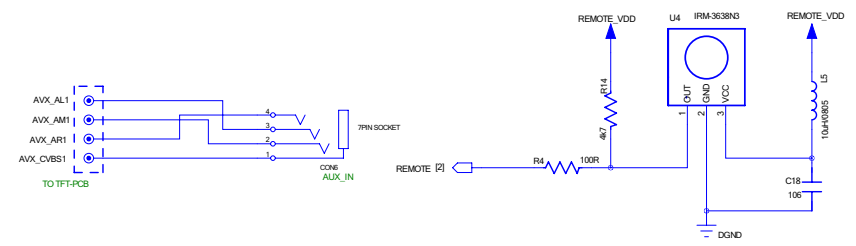
DRAWN BY


CHECKED BY

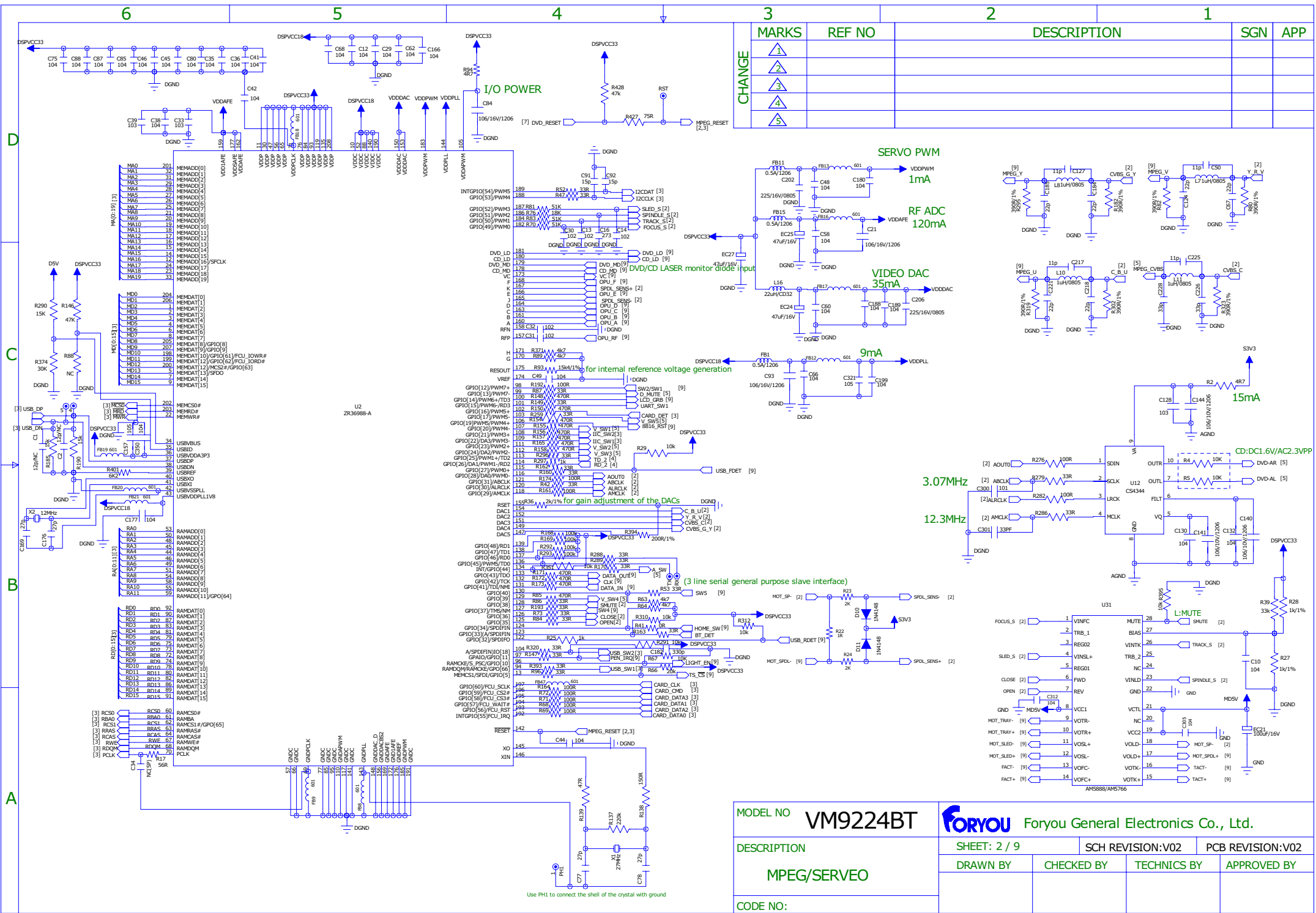
TECHNICS BY

APPROVED BY

HWJ

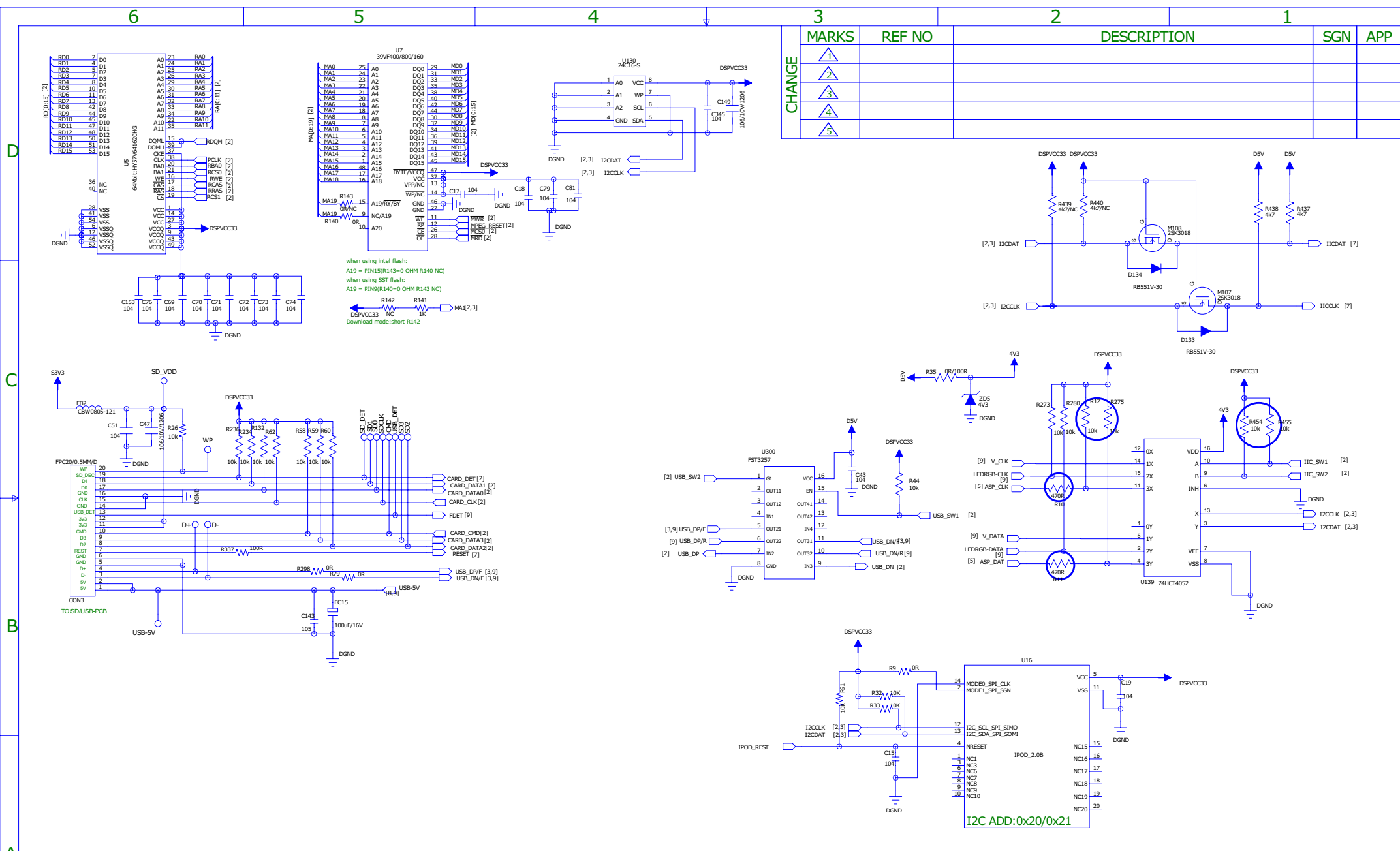


MODEL NO	VM9224BT			 <b>Foryou</b> General Electronics Co., Ltd.
DESCRIPTION	KEY/AUX			
	SHEET: /	SCH REVISION: V02	PCB REVISION: V02	
	DRAWN BY	CHECKED BY	TECHNICS BY	APPROVED BY
	HWJ			
CODE NO	123010002122			

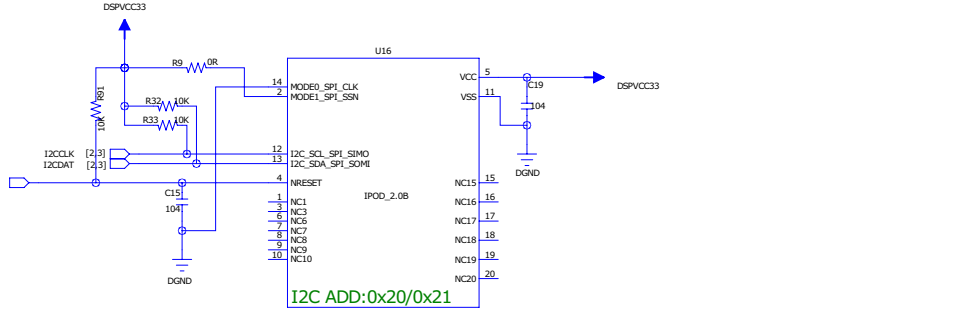
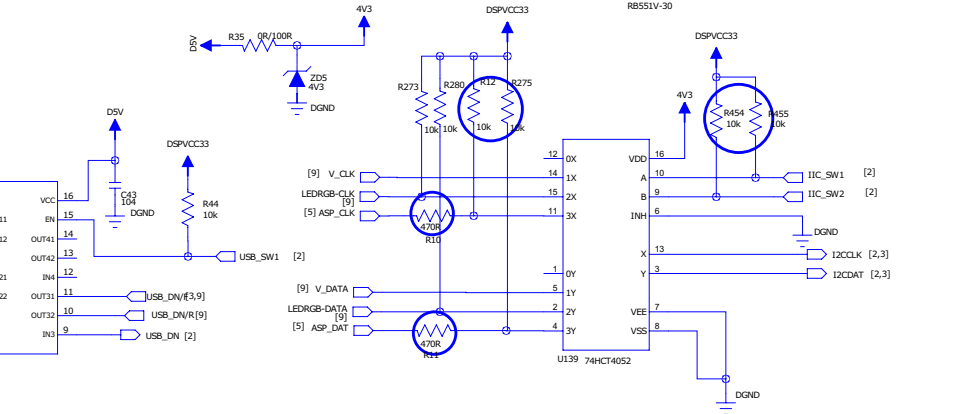
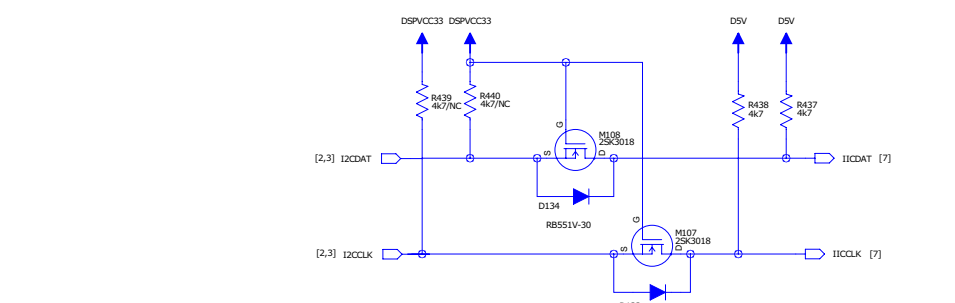


MODEL NO	<b>VM9224BT</b>
DESCRIPTION	<b>MPEG/SERVO</b>
CODE NO:	

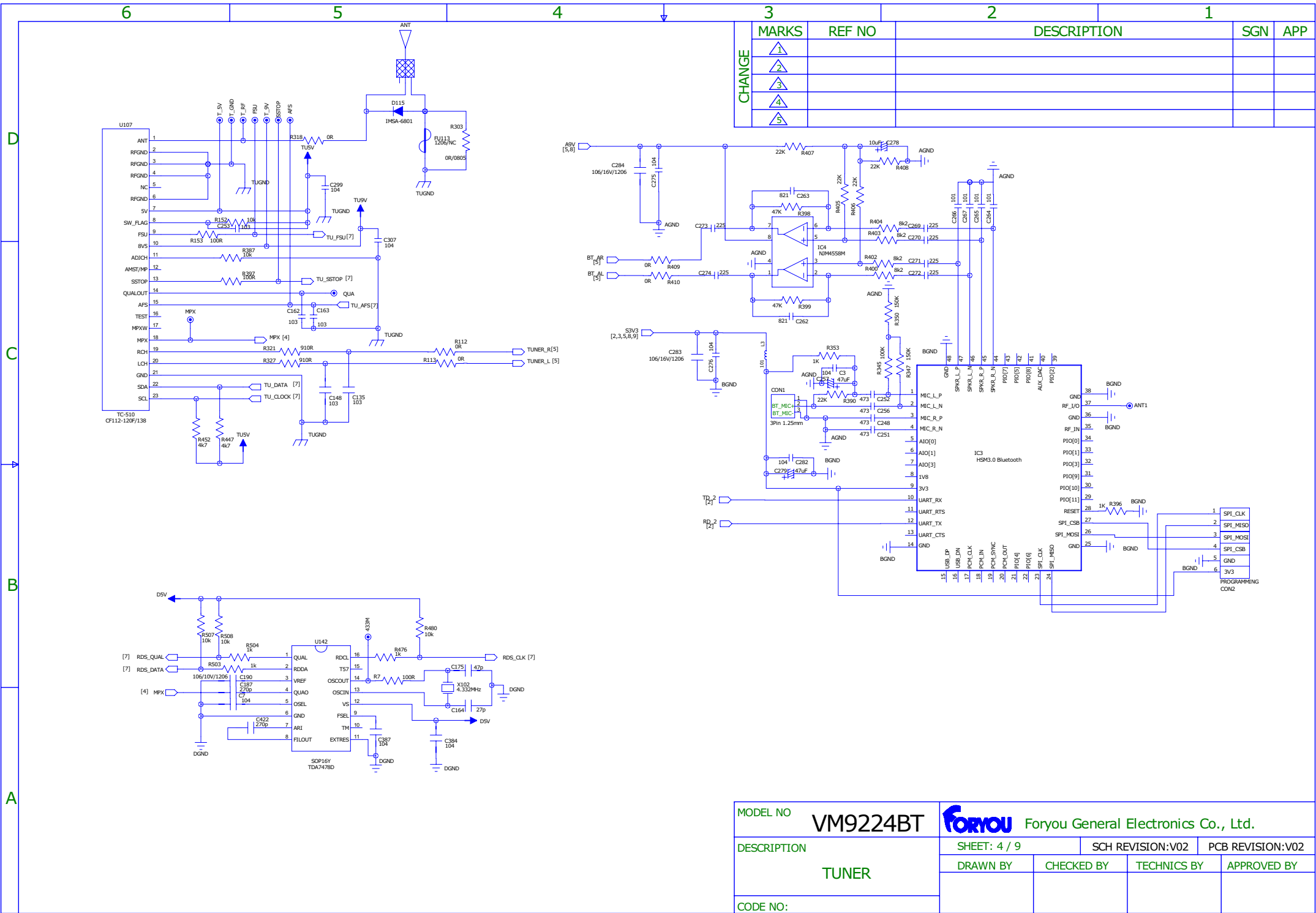
<b>Foryou</b> Foryou General Electronics Co., Ltd.	
SHEET: 2 / 9	SCH REVISION: V02
PCB REVISION: V02	
DRAWN BY	CHECKED BY
TECHNICS BY	APPROVED BY



MARKS	REF NO	DESCRIPTION	SGN	APP
1				
2				
3				
4				
5				

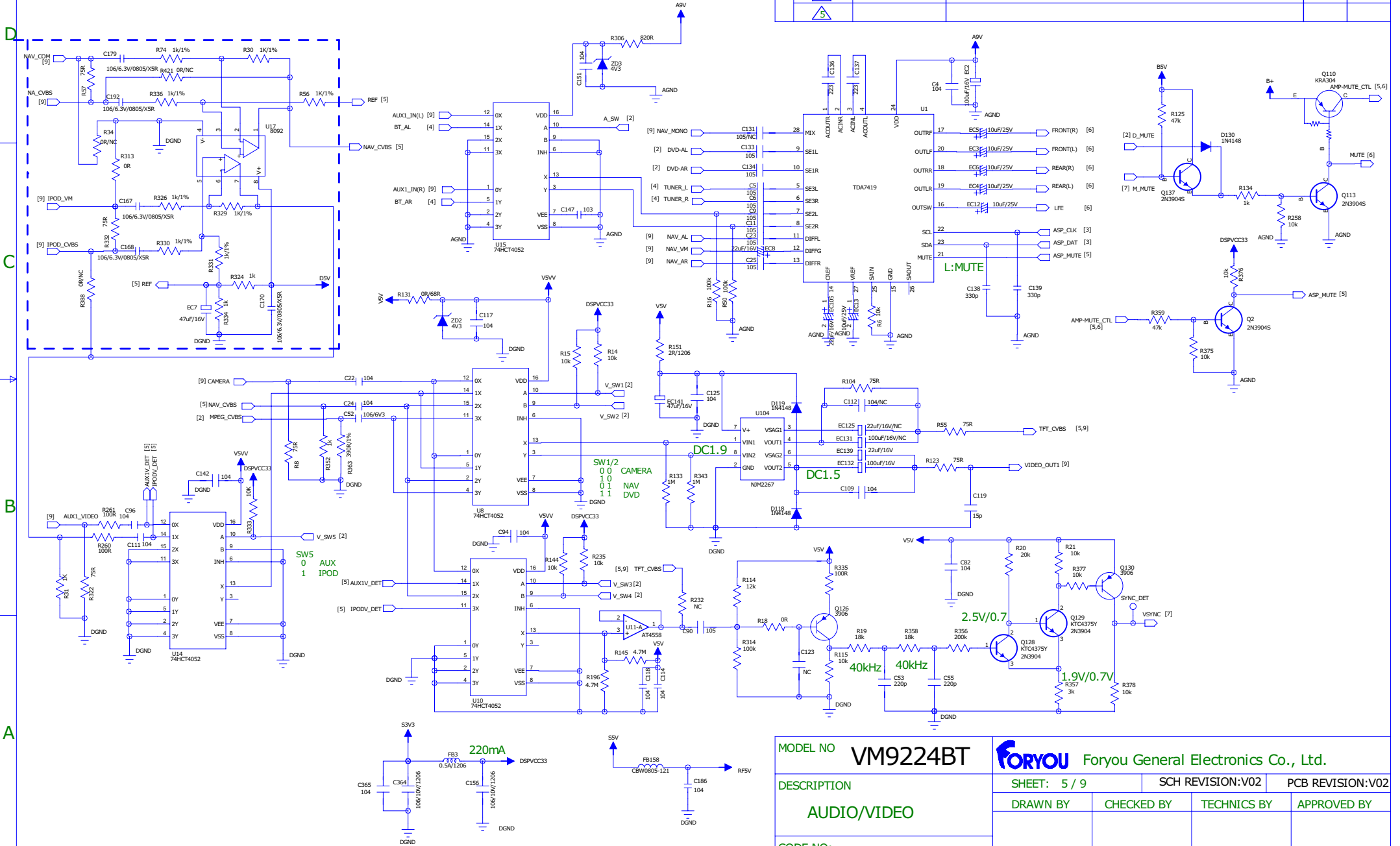



MODEL NO	VM9224BT			FORYOU Foryou General Electronics Co., Ltd.		
DESCRIPTION	MEMORY		SHEET: 3 / 9	SCH REVISION:V02	PCB REVISION:V02	
CODE NO:	DRAWN BY	CHECKED BY	TECHNICS BY	APPROVED BY		



MODEL NO	VM9224BT		Foryou Foryou General Electronics Co., Ltd.	
DESCRIPTION	TUNER		SHEET: 4 / 9	SCH REVISION:V02
CODE NO:	DRAWN BY	CHECKED BY	TECHNICS BY	APPROVED BY

MARKS	REF NO	DESCRIPTION	SGN	APP	
					CHANGE
1					
2					
3					
4					
5					

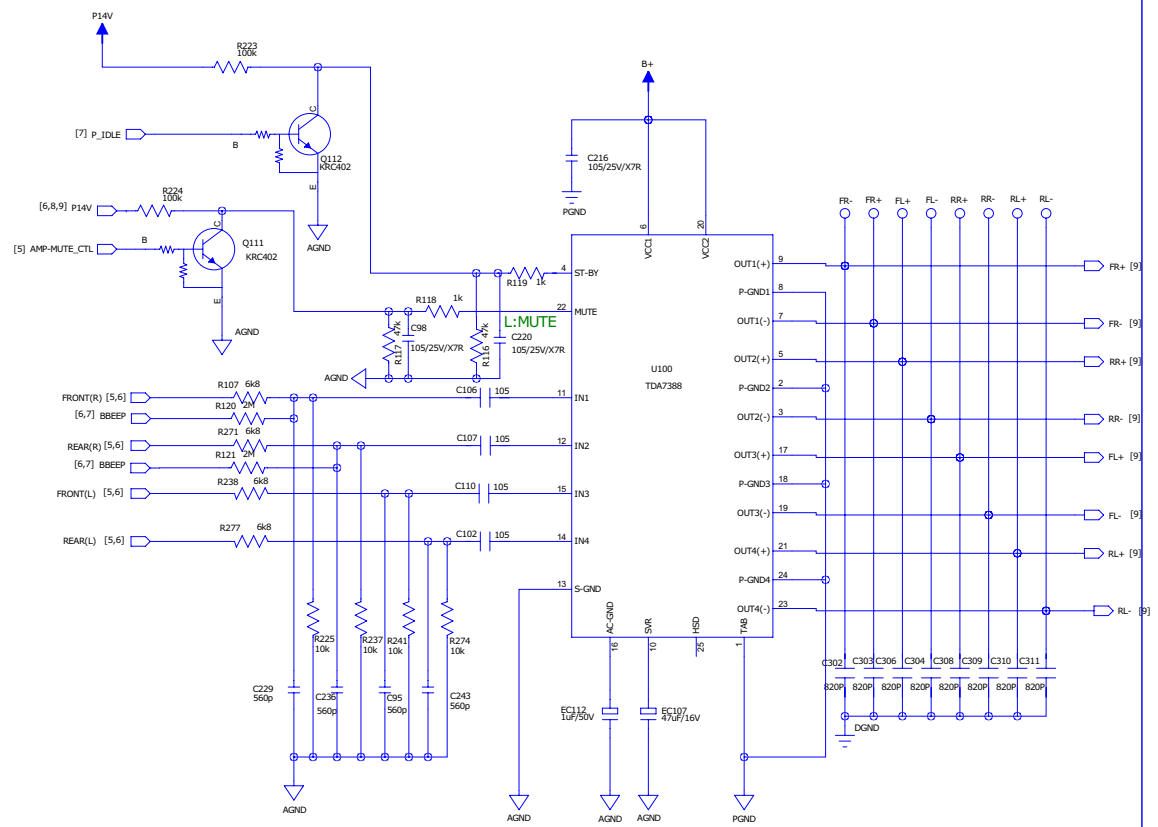
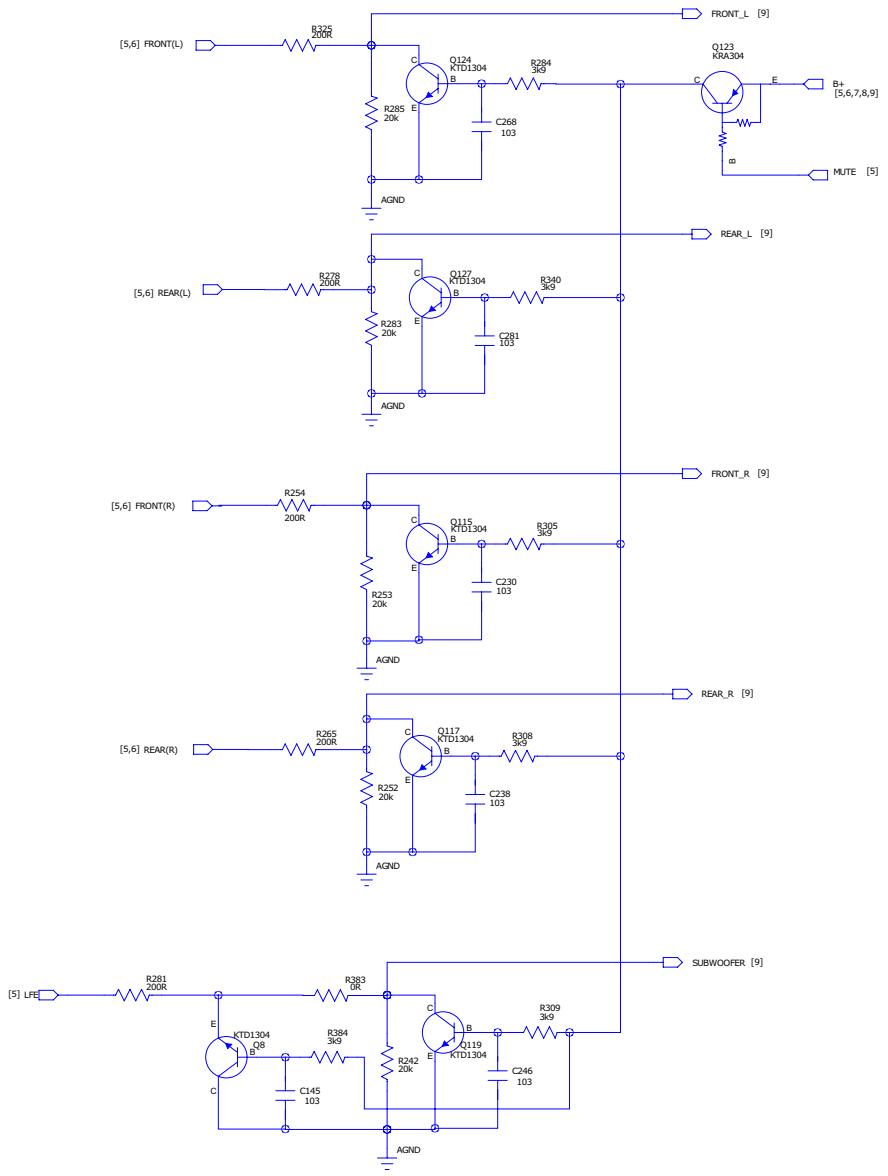


MODEL NO	VM9224BT			 <b>Foryou General Electronics Co., Ltd.</b>	
DESCRIPTION	AUDIO/VIDEO		SHEET: 5 / 9	SCH REVISION:V02	PCB REVISION:V02
CODE NO:	DRAWN BY	CHECKED BY	TECHNICS BY	APPROVED BY	



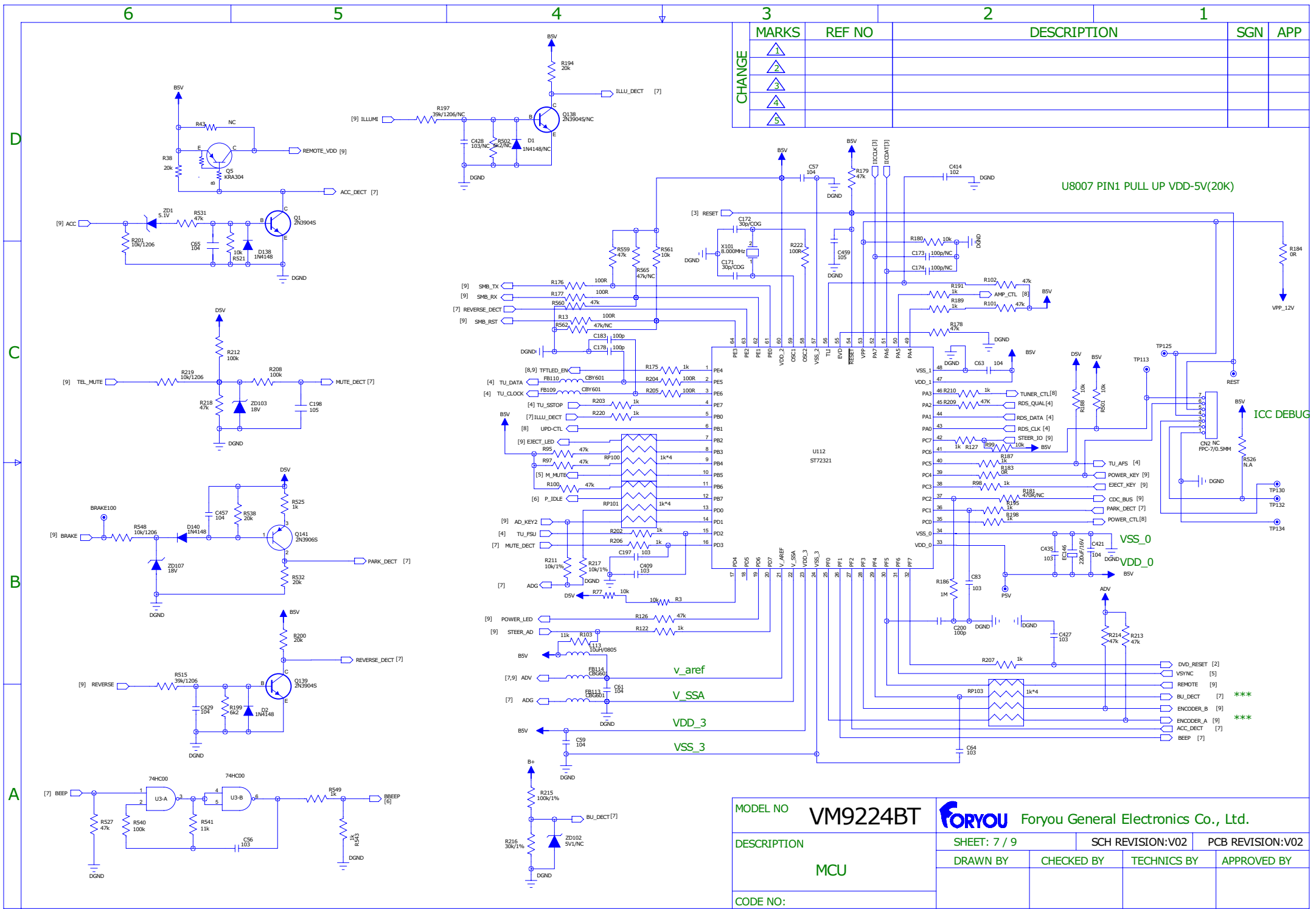
6 5 4 3 2 1

CHANGE	MARKS	REF NO	DESCRIPTION	SGN	APP
	1				
	2				
	3				
	4				
5					



D  
C  
B  
A

MODEL NO	VM9224BT			Foryou General Electronics Co., Ltd.	
DESCRIPTION	SHEET: 6 / 9		SCH REVISION:V02	PCB REVISION:V02	
	DRAWN BY	CHECKED BY	TECHNICS BY	APPROVED BY	
CODE NO:					



CHANGE	MARKS	REF NO	DESCRIPTION	SGN	APP
	1				
	2				
	3				
	4				
	5				

MODEL NO	VM9224BT			<b>Foryou General Electronics Co., Ltd.</b>		
DESCRIPTION	MCU		SHEET: 7 / 9	SCH REVISION: V02	PCB REVISION: V02	
CODE NO:			DRAWN BY	CHECKED BY	TECHNICS BY	APPROVED BY

6 5 4 3 2 1

MARKS	REF NO	DESCRIPTION	SGN	APP
1				
2				
3				
4				
5				

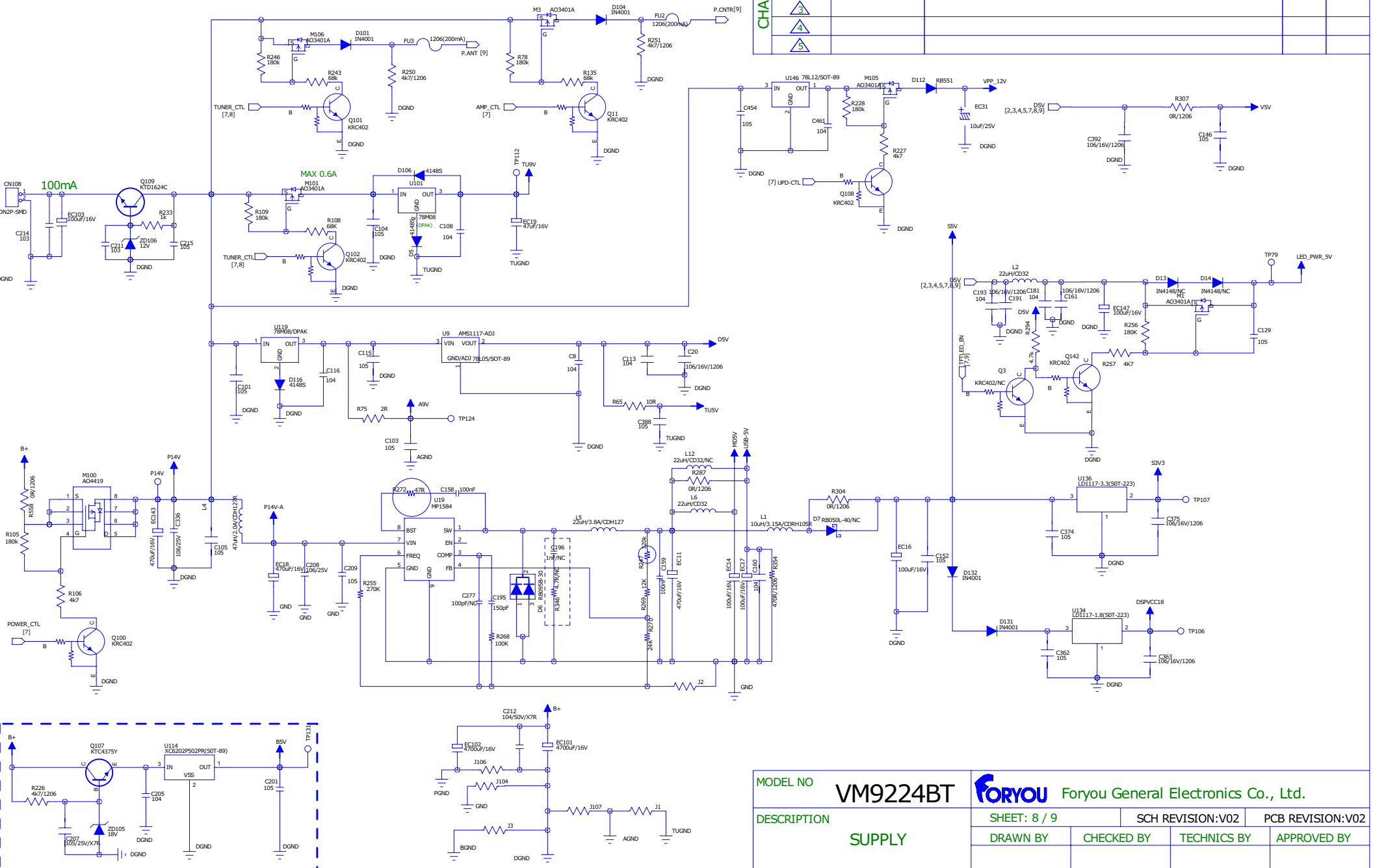
CHANGE


D

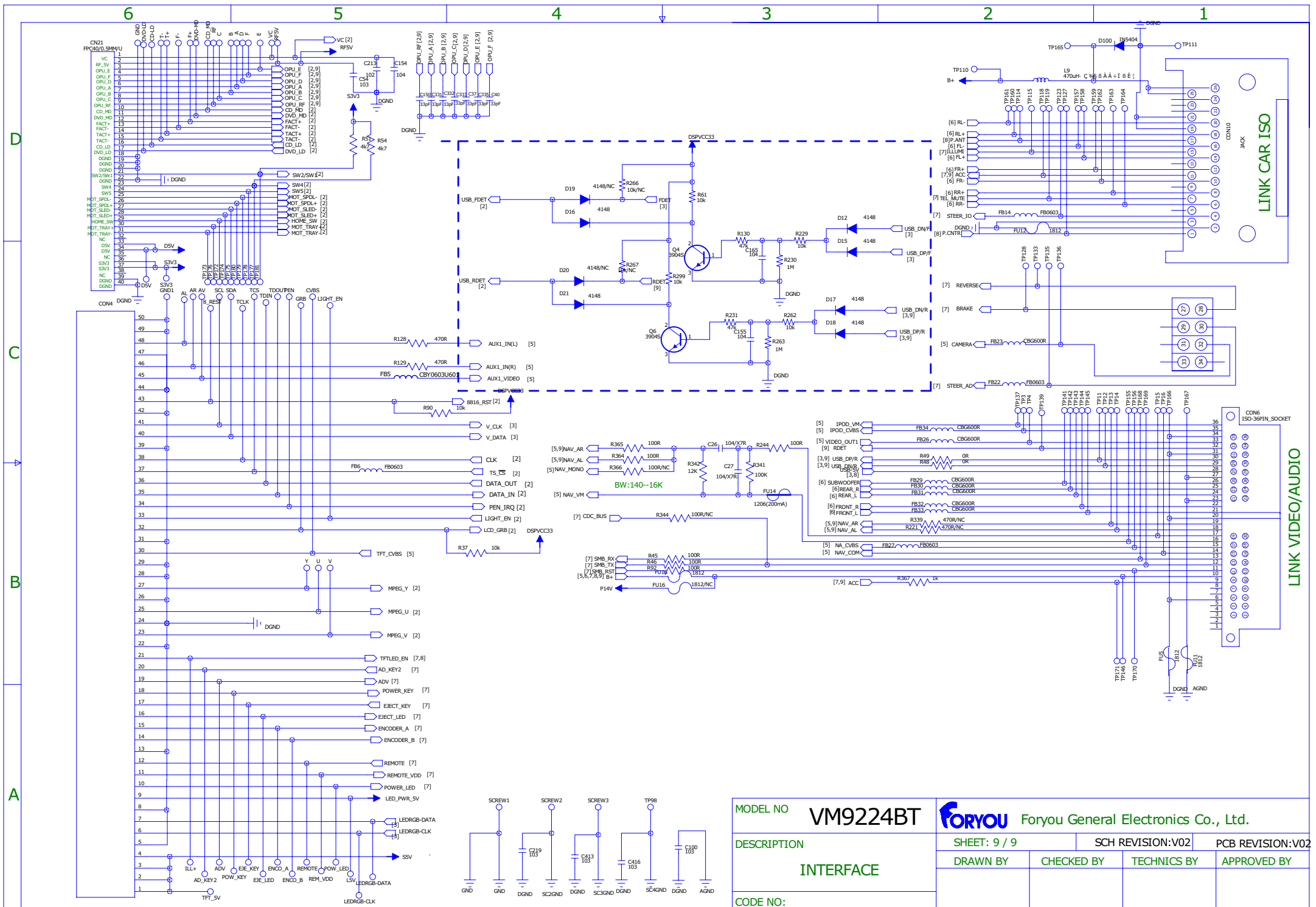
C

B

A



MODEL NO	VM9224BT	 <b>Foryou General Electronics Co., Ltd.</b>			
DESCRIPTION	SUPPLY	SHEET: 8 / 9	SCH REVISION:V02	PCB REVISION:V02	
CODE NO:		DRAWN BY	CHECKED BY	TECHNICS BY	APPROVED BY



MODEL NO	VM9224BT			Foryou General Electronics Co., Ltd.
DESCRIPTION	INTERFACE			
CODE NO:		SHEET: 9 / 9	SCH REVISION:V02	PCB REVISION:V02
		DRAWN BY	CHECKED BY	TECHNICS BY
				APPROVED BY

6

5

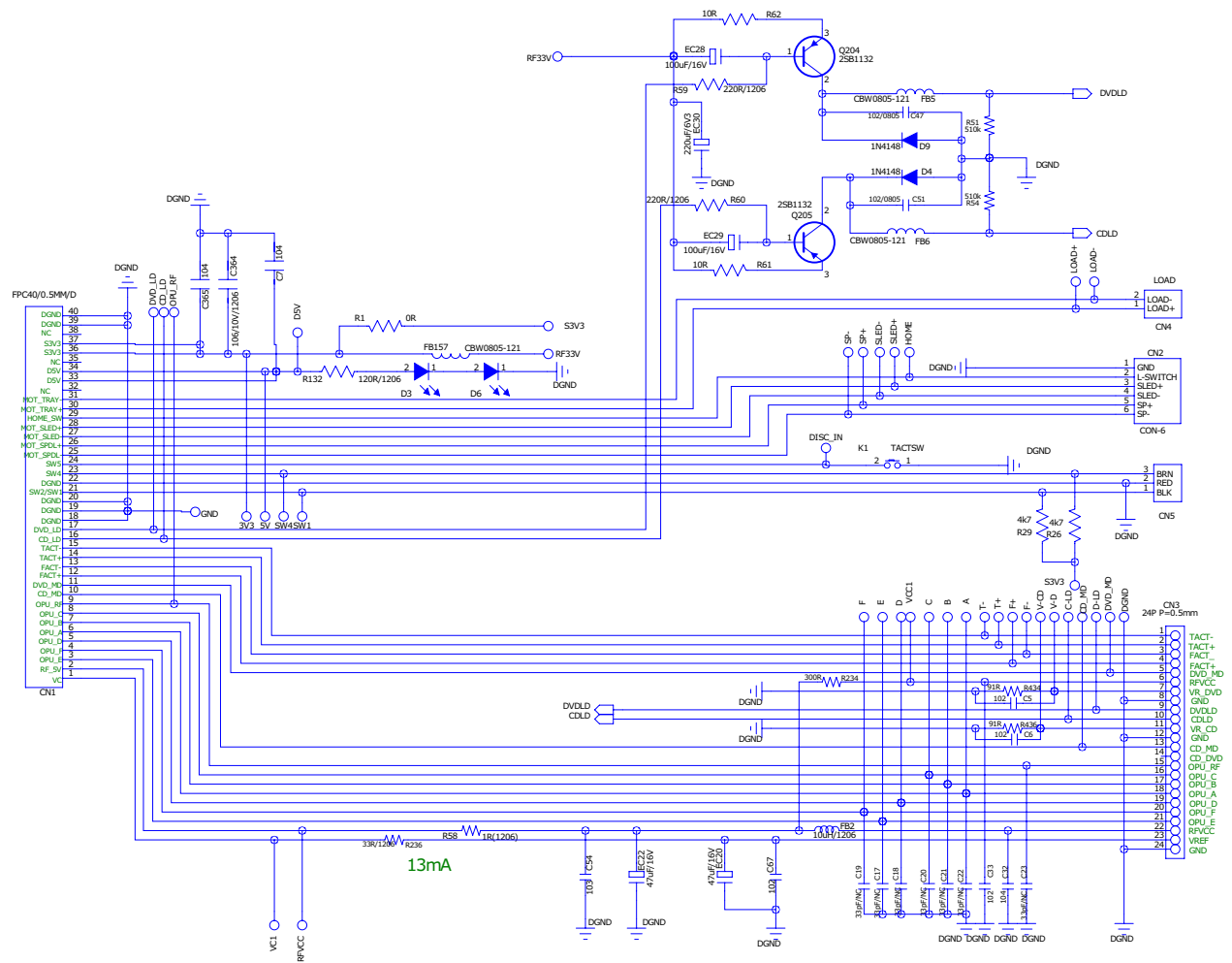
4

3

2

1

CHANGE	MARKS	REF NO	DESCRIPTION	SGN	APP
	1				
	2				
	3				
	4				
5					



D

C

B

A

MODEL NO	VM9224BT			FORYOU Foryou General Electronics Co., Ltd.	
DESCRIPTION	INTERFACE		SHEET: 2 / 2	SCN:V00	PCB:V00
CODE NO:	123010001546		DRAWN BY	CHECKED BY	TECHNICS BY
			LvBo		APPROVED BY