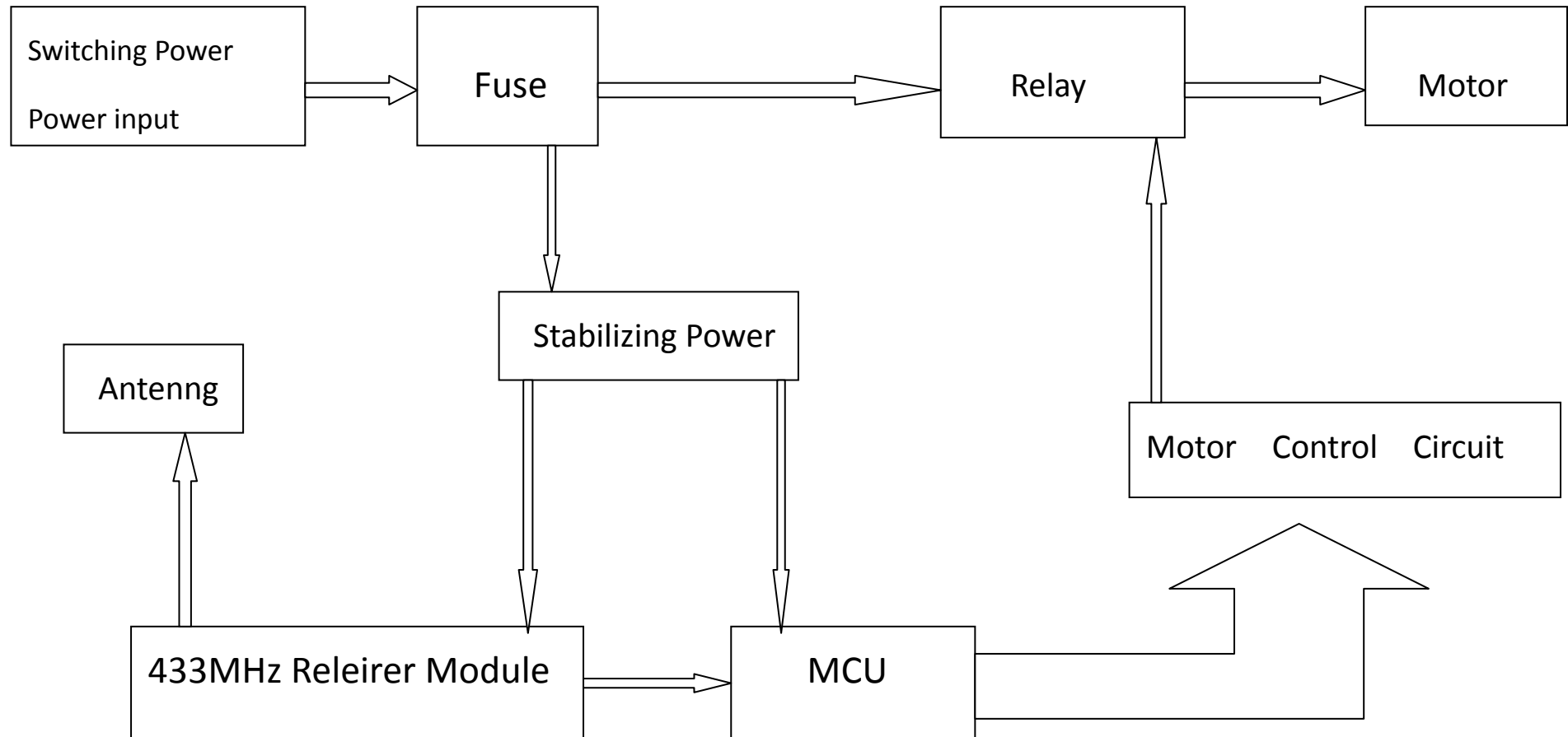


BLOCK DIAGRAM RECEIVER CONTROL PCB



BLOCK DIAGRAM REMOTE CONTROL

