

L A Z B O Y[®]

Comfort. It's what we do.

Touch Sensitive Remote Control

Model LZ6220

16 Function Universal Remote Control
With Touch Sensitive Keypad

Installation Guide

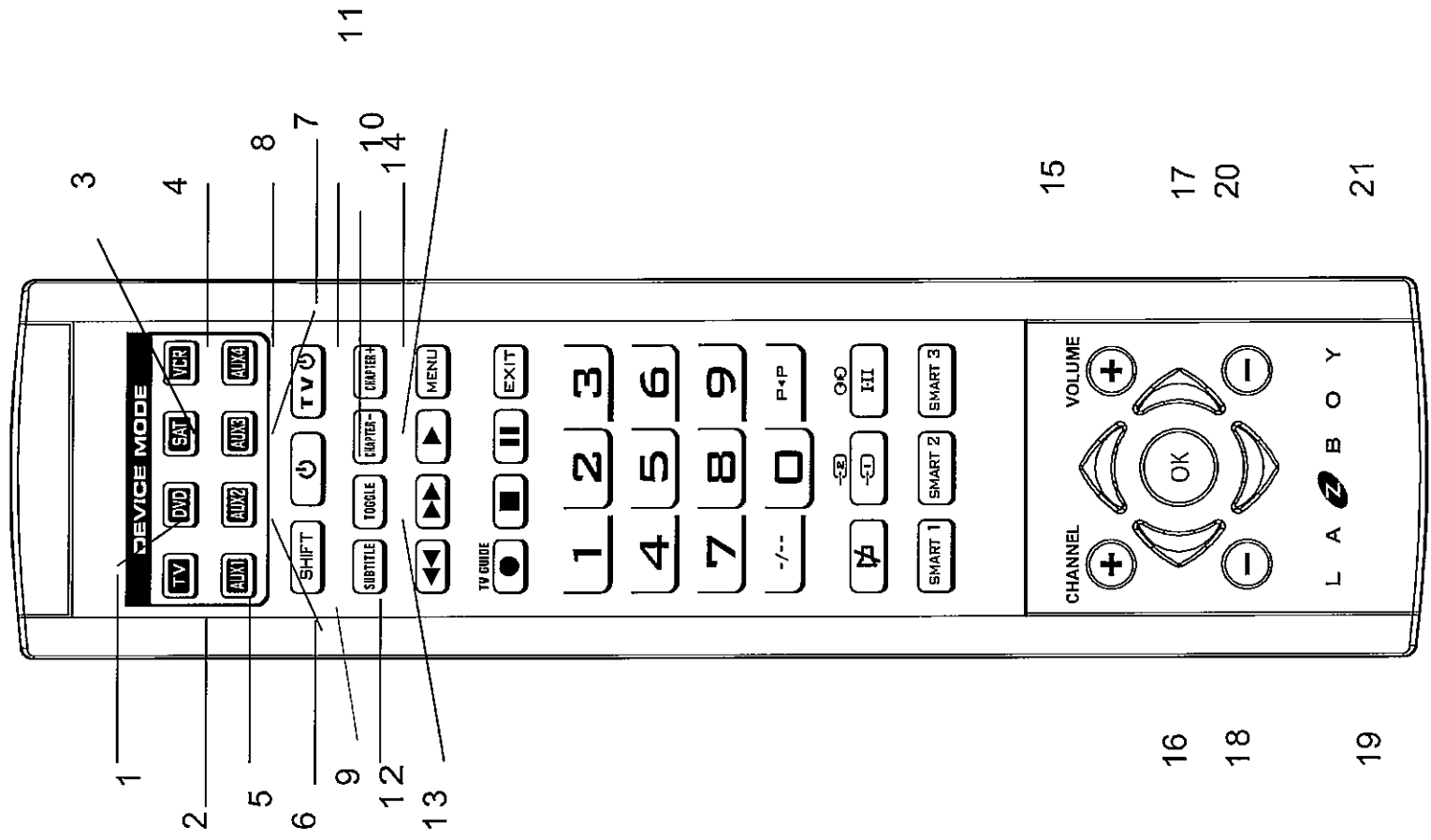
Remotec
MODEL LZ6220
Released for
<input type="checkbox"/> PRELIMINARY INFORMATION
<input type="checkbox"/> QUOTATION ONLY
<input type="checkbox"/> MOCK UP ONLY
<input type="checkbox"/> HARD/SOFT TOOLING
<input type="checkbox"/> TOOL MODIFICATION
<input type="checkbox"/> TECHNICAL MANUAL
<input type="checkbox"/> MANUFACTORY
<input type="checkbox"/> PRINTING
<input checked="" type="checkbox"/> MARKETING TEL
Prepared by <i>Jim G</i>
Date: <i>Aug 19, 08</i>
Approved by <i>[Signature]</i>
Date: <i>Aug 19, 08</i>

This device complies with Part 15 of the FCC Rules. Operation is subject to the following two conditions:

- (1) this device may not cause harmful interference, and
- (2) this device must accept any interference received, including interference that may cause undesired operation.

Modifications not expressly approved by the manufacturer could void the user's authority to operate the equipment under FCC rules.

PRODUCT DIAGRAM



KEY FUNCTION DESCRIPTIONS

- 1 TV- Programs your TV. Also programs one auxiliary device using the shift key
- 2 DVD- Programs your DVD Player. Also programs one auxiliary device using the shift key
- 3 SAT- Programs your satellite receiver. Also programs one auxiliary device using the shift key
- 4 VCR- Programs your VCR. Also programs one auxiliary device using the shift key
- 5 AUX 1- Programs one auxiliary device. Programs one additional auxiliary device using the shift key.
- 6 AUX 2- Programs one auxiliary device. Programs one additional auxiliary device using the shift key.
- 7 AUX 3- Programs one auxiliary device. Programs one additional auxiliary device using the shift key.
- 8 AUX 4- Programs one auxiliary device. Programs one additional auxiliary device using the shift key.
- 9 Shift- Allows you to program auxiliary devices 1-8. Also allows you to program a 2nd tier of components into the TV, DVD, SAT and VCR keys as well as into Auxiliary 1-8 keys. Can also allow you to access secondary functions of certain devices.
- 10 Power Key- Turns devices for remotes current mode on or off
- 11 TV Power Key- Turns TV power on or off once your TV has been programmed
- 12 Subtitle Key- Allow you access to the subtitle feature of your DVD player or closed caption feature of your SAT or CABLE.
- 13 Toggle- Allows access to the toggle function from PIP back to normal picture
- 14 Chapter- Scrolls backward thru chapters when in DVD mode or tracks when in CD mode
- 15 Chapter +- - Scrolls forward thru chapters when in DVD mode or tracks when in CD mode
- 16 ←←- Rewind when in VCR mode. Scan back when in DVD, CD & DVR mode
- 17 →→- Fast forward when in VCR mode. Scan forward when in DVD, CD & DVR mode
- 18 →- Access the play feature when in VCR, DVD, DVR or CD mode
- 19 Menu- Brings up the menu screen
- 20 TV Guide- Brings up the guide screen when in SAT or cable mode. Access the record function when in VCR & DVR mode
- 21 □ Stop Key when in VCR, DVD, CD & DVR mode
- 22 `` Pause when in VCR, DVD, CD and DVR mode
- 23 Exit- Exits on screen menu's and guides and returns you to the previous on screen selection
- 24 -/--
- 25 PIP - Picture in Picture. This allows you to access the picture in picture feature of your TV.
- 26 Mute Key- Allows you to turn the volume on or off when in TV mode
- 27 →□- Channel return. Allows you to return to the previously selected channel in TV, Sat, or cable mode
- 28 I-II

- 29 Smart 1, Smart 2, Smart 3- Allows you to program a sequence of steps such as turn on your TV, turn on your DVD player, turn on your home theater receiver, press play on your DVD player to watch a movie. All in sequence. Each smart key can program up to 20 steps
- 30 Channel +/- Changes the channels forward when in TV, DVR, Satellite or Cable mode.
- 31 Channel - Changes the channels backward when in TV, DVR, Satellite or Cable mode.
- 32 Volume + Increase the volume of the device. Normally used in TV mode
- 33 Volume - Decreases the volume of the device. Normally used in TV mode.
- 34 OK- Allow access to the OK function when scrolling thru menus & guides
- 35 Δ- Scrolls up thru menus and guides
- 36 Scrolls down thru menus and guides
- 37 Scrolls right thru menus and guides
- 38 Scrolls left thru menus and guides

Congratulations on the purchase of your La-Z-Boy Universal Remote Control, a state of the art product which integrates several infra-red devices to deliver complete AV control at the tip of your fingers.

Before operating your remote please read through this manual carefully and save it for future reference.

This package contains the following:

- One LZ6220 Touch Sensitive Remote Control
- One Installation Guide
- One Quick Reference Guide
- One Infra-red Device Code List
- A blank device sticker (To be placed underneath the docking charger)
- One LZ100 Charging Cradle
- One Nickel Metal Hydride Battery Pack
- One Power Adaptor
- One USB Cable

La-Z-Boy has evolved throughout their 75 year history to become America's Number 1 furniture brand.

The new line of La-Z-Boy Universal Remote Controls represents the perfect marriage of relaxation, comfort, ease of use, quality and convenience when watching television in your favorite La-Z-boy!

The La-Z-Boy Difference:

- Bilingual Consumer hotline available 24 hours/day, 7 days/week
- Easy to follow quick reference guide
- Comfortable rubber grips
- Built in find feature...Never lose your remote again
- On-line programming with on-line tutorial
- Rechargeable batteries
- Charging cradle/Docking station

Table of Contents

- Product Diagram/Key Function Descriptions Page 2 - 4
- Introduction/Package Contents Page 5
- Specifications Page 5
- Getting Started Page 7
- Battery Installation & Information Page 8
- How to set up your La-z-boy remote Page 9 - 20
 - By code entry
 - By code search
 - By PC setup
- Maintenance Page
- Troubleshooting Page
- Warranty Page

GETTING STARTED

A few helpful hints on terms used in this manual.

LR: La-Z-Boy Universal Remote Control

LED: The red indicator light that flashes with an infra-red command to your equipment. (This is not necessary)

Backlighting: The blue backlighting on the cap sense inlay / keypad of your La-z-boy remote. Backlighting turns on each time a key is pressed and will turn off 8 seconds after the last key is released.

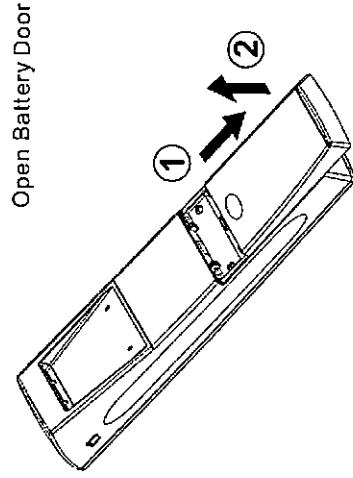
Battery Low: If the upper 4 device red LED indicators flash 4 times and turn off after activating any command, it shows that the battery level is low. You must recharge the battery pack by placing your remote into the charging stand. The upper 4 device red LED indicators will display in a moving pattern from left to right.

Note: When replacing battery pack you have approximately 5 mins before your programmed codes are lost. All factory program codes will remain in memory permanently.

Shift: The shift key allows you to access a second tier of components with your remote. Please follow the instructions in this manual. A red LED backlight will indicate components 1-8. A green LED backlight will indicate components 9-16 programmed into the 2nd tier with the shift key.

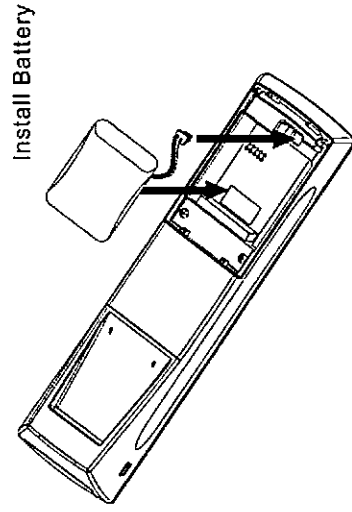
1. HOW TO INSTALL BATTERIES

- When removing the battery pack, take off the battery case cover, then pull up the ribbon stretched inside the battery case to take out the rechargeable battery pack from the battery case.



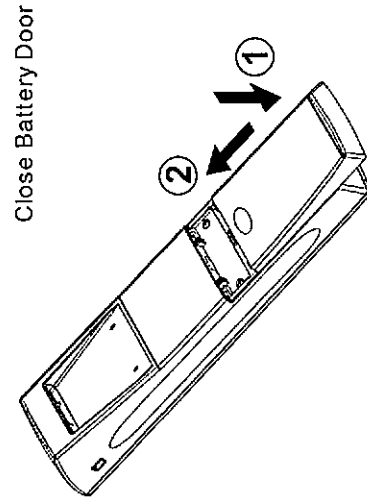
CAUTION ON BATTERY

- Be sure to use only the rechargeable nickel metal-hydride (NI-MH) battery pack that is supplied with the remote controller.
- When loading, be sure to properly attach the rechargeable battery cable connector to the remote controller socket.
- Be sure to properly dispose of the rechargeable battery pack in accordance with the guidelines (regulations) for your local area.



REPLACING THE BATTERIES

The batteries in the Remote controller are Nickel Metal Hydride (Ni-MH) batteries. It is advised to change the batteries when the operation of the Remote controller becomes unreliable. If you want to order new batteries, please contact your xxxx authorized dealer or xxxx customer service.



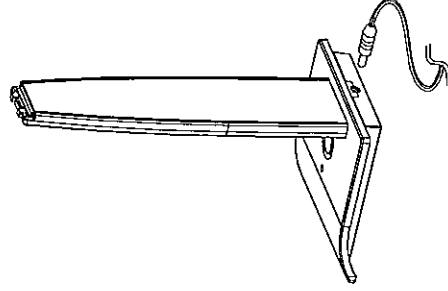
Warning:

Replace the batteries only with original batteries; otherwise the guarantee is no longer valid and hazardous situations could occur.

1.1 How to charge batteries

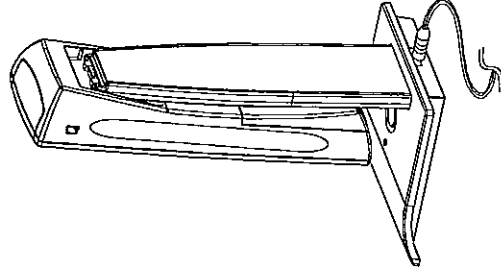
When it is first unpacked, the supplied battery pack is not fully charged. Be sure to fully charge it before usage.

Connect with A/C Adaptor



Connect the AC adapter to the charging terminal

Resting on the Dock



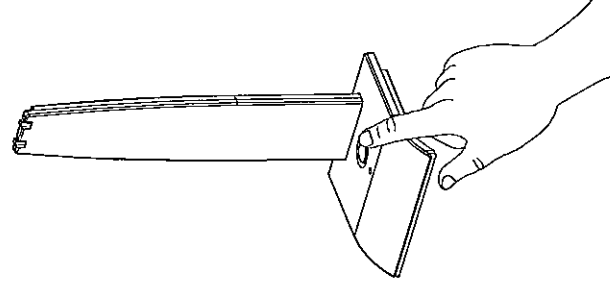
Put the remote unit on the docking charger

NOTES:

- When charging the remote controller, be sure to always use the supplied AC adapter.
- Do not try to charge devices other than the remote controller with the supplied AC adapter. This could damage the AC adapter or the connected device.

1.2 How to find the remote

Pressing the Find Button



- Press finding key on charging dock. Indicator will flash.
- The URC will beep in a special tone.
- Sound will off when pressing any key on URC or timeout.
- Indicator on charging dock will off when pressing finding key again or timeout.

Set up

1. Keypad sensitivity- Your LR features a touch sensitive keypad. You can adjust the sensitivity of this keypad by following the steps below.

Note:

Do not set the sensitivity too high for the keypad or the keys may respond too easily to mistaken touches.

1.1. Hold down “CH+” and “VOL-” keys on the remote simultaneously for 2 seconds until you hear two beep sounds. Upper four device mode keys (TV, DVD, SAT, VCR) will light up.

1.2. Press “OK” key. One device mode indicator will flash indicating factory preset sensitivity level (AUX1 or level 5).

Different indicator light means different sensitivity.

Indicator	TV	DVD	SAT	VCR	AUX 1	AUX 2	AUX 3	AUX 4
Sensitivity	Low	*	*	*	*	*	*	High

1.3. Press “ ” key to increase sensitivity.

1.4. Press “ ” key to decrease sensitivity.

1.5. Press “OK” key to confirm. All device mode keys will turn off except selected device mode key if successful.

Note

If no key is pressed for more than 8 seconds, the device mode indicators will flash **six times** and the setup sensitivity mode will exit automatically.

3. HOW TO SET UP YOUR LA-Z-BOY REMOTE (LR)

By entering Device Code

You may setup your La-Z-Boy Remote (LR) by the following code entering instructions.

1. Turn on your device (e.g. TV).
2. Refer to the LR Infra Red DEVICE CODE LIST; look up the 4-digit Device Code which corresponds to the brand of your A/V equipment. If there are more than one Device Code listed under your brand, try from the first code.
3. Press a desired Device Mode Key (e.g. TV). The red device mode key will light up.
4. Hold down “ **CHANNEL+** ” and “ **VOLUME-** ” on the LR simultaneously for 2 seconds until the red upper 4 device mode keys light up (TV, DVD, SAT, VCR). The lower clear function keys will also be lit and you will hear 2 beep tones.
5. Use the number keys 0-9 to enter your 4-digit Device Code. All device mode keys will flash twice and turn off except the selected device if successful.

Then try the function keys (e.g. TV) on the LR. If your device (e.g. TV) responds to your activated function correctly, you have entered the right Device Code. Otherwise, repeat the above setup with the next available Device Code until your device (e.g. TV) responds to your activated function, and most keys work correctly.

* Simply repeat the above procedures to enter the Device Codes for your VCR, SAT, DVD and other Devices. (Remember to press a correct Device Mode Key in step 2 above). For set up of Auxiliary devices (AUX 1-8) press “shift” followed by the desired device key (AUX 1-8) then follow steps 4-5 above.

Note:

When programming AUX 1-8 devices, the device key backlight will be green

Suggestion:

– If you cannot find a correct Device Code for your equipment, refer to the section that follows: How To Set Up The LR– By Searching Through the Library.

– For future reference it is recommended to make a note of your Device Codes in the space provided on the back label after setting up your LR correctly.

By Searching Through the Library

If you cannot identify a correct Device Code for your equipment from the Device Code list, you may search through the code library:-

1. Turn on your device manually (e.g. TV).
2. Press a desired Device Mode Key (e.g. TV). The red device mode key will light up.
3. Hold down “**CHANNEL+**” and “**VOLUME-**” on the LR together simultaneously for 2 seconds until the 4 upper device keys light up. (TV, DVD, SAT, VCR) The lower clear function keys will also be lit up. You will hear 2 beep tones.
4. Enter a corresponding Search Code from following table. The indicator should go out immediately.

DEVICE TYPE:	TV	VCR/DVR /LASER DISC	SAT	CABLE/ DVR+ CABLE COMBOS	DVD/DVD-R/ DVR+DVD COMBOS	AUDIO	CD	HOME THEATER
SEARCH CODE:	0001	0002	0003	0004	0005	0006	0007	0008

5. (e.g. press TV device mode key, then press “**CHANNEL+**” and “**VOLUME-**”, and enter The TV Search Code 0001.) All device mode keys will flash twice and turn off except the selected device if successful.
6. Press the same desired device mode key again as in step 2 above. (e.g. TV)
7. Hold down “**CHANNEL+**” and “**VOLUME-**” together simultaneously again for 2 seconds until the 4 upper device keys light up (TV, DVD, SAT, VCR) the lower clear function keys will also be lit up. You will hear 2 beep tones.
8. Aim the LR at your device (e.g. TV); press the “**⊕**” (power) key repeatedly every 1-2 seconds until the device has been turned off. The red LED indicator will blink once each time you press the “**⊕**” (power) key to indicate your remote is scrolling thru the code library. Once your device has been turned off, immediately press the same

device mode key (e.g. TV) to lock in the search code and the red upper 4 device mode keys will flash 3 times and your programmed device mode key should remain lit.

* Simply repeat the above setup procedures to search the Device Code for your VCR, SAT, DVD and other Devices. (Remember to press a correct Device Mode Key and correct Search Code in step 2-5 above)

* For set up of Auxiliary devices (AUX 1-8) press “shift” followed by the desired device key (AUX 1-8) then follow steps 3-7 above.

Note:

When programming AUX 1-8 devices the device key backlight will be green.

The search process can take several minutes due to the number of codes stored in the library.

You cannot search through the code library for DVR devices. This code must be entered manually from the device code list.

Important: During set up mode, the red upper 4 device mode keys will blink twice and the set up procedure will be terminated if any of the following conditions occur;

- No key has been pressed for more than 8 seconds
- An invalid code number has been entered
- An invalid key (not a numeric key) has been pressed

You can press smart 1, smart 2 or smart 3 to exit the search mode at any time. The 4 upper device mode keys will flash 6 times to indicate your remote has exited the search procedure.

Important:

When searching through the Library for some older devices, if the power on/off function of your device is not infra-red controlled – you need to follow steps 2 to 6 above and start searching:

- Press “ ϕ ” (power) key and another important function key alternately until your device responds to the expected function, press the same device mode key (e.g. TV) to lock in the code.
Press “ ϕ ” (power) key & “**Channel +**” alternately, or;
Press “ ϕ ” (power) key & “**1**” alternately.

Note:

- Each time you press the “ ϕ ” (power) key, the LR will skip to the next code and send out a POWER signal trying to turn off your device.
If you failed to stop pressing “ ϕ ” (power) key in time when your device has been turned off, turn on your device again immediately. Before the indicator 4 red upper device mode key light (A) out, press on the LR to skip backward. Repeat the step 7 above and lock in the code.
- If the 4 upper device mode keys flash 6 times after you pressed the “ ϕ ” (power) key, you are already at the last code of the library.
- Besides device keys, “ ϕ ” (power) key and (A) (MUTE) key, all keys can be operated if the remote has entered search mode.

4. HOW TO SET UP YOUR LA-Z-BOY REMOTE (LR) (Learning Commands)

Your LR is equipped with learning capability. This allows you to “teach” you LR certain function from your original equipment remote. Please follow the steps below.

- 4.1. Press the desired device mode key (e.g. TV).
- 4.2. Hold down “CH+” and “VOL-” keys on the remote simultaneously for 2 seconds until you hear two beep sounds. Upper four device mode keys (TV, DVD, SAT, VCR) will light up. Hard key backlight is on.
- 4.3. Enter “0”, “0”, “0”, “0” Learning code. Upper four device mode keys indicator (TV, DVD, SAT, VCR) flash once and then stay lit continuously. The remote is now ready to learn commands.
4.4. Place the remote and your device remote on a flat surface, aimed at each other 1-3 inches apart.
- 4.5. Press a desired key once and release on the original equipment remote which you want to learn the command. The upper 4 device mode indicators will flash once and stay lit continuously.
- 4.6. Press and keep holding the key on your original equipment remote which you want to learn for a few seconds.

- 4.7. When the device mode indicators flash twice and then keep on, the command has been learned successfully and you can release the key on your original equipment device remote. If the device mode indicators flash **six times**, it shows an error in learning process. Adjust the position of both remotes and repeat from step 4.5 again.
- 4.8. Repeat from step 4.5 to learn other key functions, or press the same device mode key on step 4.1 (e.g. TV) to terminate the learning mode, the upper 4 device mode indicators will flash **twice** and then all device mode indicators turn off except the selected device mode key.

Note:

- On step 4.5 if no key is selected for more than 8 seconds, the upper 4 device mode indicators will flash **six times** then all device mode indicators turn off except selected device mode key and the learning mode will exit automatically.
 - On step 4.6, if no other remote signal is received for more than 8 seconds, device mode indicators flash **six times** and keep on, and you need to select a desired key again for learning as in step 4.5 on your LR.
 - Each function key will hold one command only, a new command to be learned will automatically erase and replace the previous one.
 - If the device mode indicators flash **three times** during the transference of signals, the maximum 100 commands memory bank is full, press the same device key again to resume normal operation.
 - You can erase all the learned commands in a single device to make room for any new signal by setup a new code to the other device (See Note for setup procedure).
 - Eight device mode keys (TV, DVD, SAT, VCR, AUX1, AUX2, AUX3 & AUX4), as well as the SHIFT, SMART 1, SMART 2 and SMART 3 keys cannot be used for learning functions.
-

5. HOW TO SET UP YOUR LA-Z-BOY REMOTE (LR) (Teaching a dual signal)

If you found a learn programmed key only works occasionally, your device remote may contain dual signals. Try the following steps to learn this command:

- 5.1. Follow the steps from 3.1 to 3.4.
- 5.2. Press a desired key once on your LR which you want to learn the command.
- 5.3. Press and keep holding the key on your original equipment remote which you want to learn for a few seconds.
- 5.4. When the upper 4 device mode indicators flash twice and then stay lit continuously keep on, the command has been learned successfully and you can release the key on your original equipment remote.
- 5.5. Press the same key on step 5.2 once on the remote again.
- 5.6. Press and keep holding the same key on your device remote on step 5.3 until the upper 4 device mode indicators flash twice and then stay lit continuously on, the dual signal command has been learned successfully.
- 5.7. Repeat from step 5.2 to learn another keys dual signal, or press the same device mode key on step 5.1 (e.g. TV) to terminate the learning mode, the upper 4 mode indicators will flash twice and then all device mode indicators turn off except selected device mode key.

Note:

- On step 5.2 or 5.5 if no key is selected for more than 8 seconds, the Upper 4 device mode indicators will flash **six times** then all device mode indicators turn off except selected device mode key and the learning mode will exit automatically.
 - On step 5.3 or 5.6, if no IR signal is received for more than 8 seconds, the upper 4 device mode indicators will flash **six times** and keep on, and you need to select a desired key again for learning as in step 5.2 or 5.5. **Operating the LR**
-

6. OPERATING THE LA-Z-BOY REMOTE (LR)

Normal Operation

- 6.1. Once you have setup up the LR for your AV equipment, it works like your original remote controls. To operate, just aim it at your equipment, press an appropriate device mode key and invoke the desired function by pressing a corresponding key on your LR. The keypad will illuminate and you will hear a beep tone as confirmation of key touch.
- 6.2. Use the shift button when attempting to access auxiliary devices (AUX 1-8) or when attempting to access secondary functions please refer to the Key Function Description.

SHIFT mode will be deactivated after the desired key is released.
- 6.3. If your LR is moved the built in touch sensitive keypad will illuminate.
- 6.4. The backlit keypad of the LR will be OFF if no key is pressed and no motion is detected for 8seconds.
- 6.5. Your LR controls up to 16 devices. Press each device key directly to select first 8 (e.g. TV, red device key indicator will light up). Press SHIFT key and then device key to select another 8 (from AUX 1-8, the green device key indicator will light up).

7. PUNCH THROUGH

You can activate certain functions like TV volume to be operated in other modes such as SAT. This is referred to as punch through. Please refer to the following procedure for activating this function.

7.1. To activate the Punch through Channel setting:

- 7.1.1. Hold down "CH+" and "VOL-" keys on the remote simultaneously for 2 seconds until you hear two beep sounds. Upper four device mode keys(TV, DVD, SAT, VCR) will illuminate. Lower function keys will also illuminate.
- 7.1.2. Enter "1", "1", "1", "0" Punch through code. Upper four device mode keys (TV, DVD, SAT, VCR) will flash once and then stay lit continuously.
- 7.1.3. Press desired device mode key. (e.g. TV)
- 7.1.4. Press "CH+" key.

- 7.1.5. Press desired channel code device mode key (e.g. AUX1).
- 7.1.6. Device mode upper 4 indicators will flash **twice** and setting Punch through mode will exit if the setting is activated.
- 7.1.7. Example: AUX1 channel code is set on TV mode.

- 7.2. To deactivate the Punch through Channel setting:**
 - 7.2.1. Hold down "CH+" and "VOL-" keys on the remote simultaneously for 2 seconds until you hear two beep tones. Upper four (TV, DVD, SAT, VCR) device mode keys will light up. Lower function key backlight.
 - 7.2.2. Enter "1", "1", "1", "1", "0" Punch through code. Upper four device mode keys (TV, DVD, SAT, VCR) will light up.
 - 7.2.3. Press desired device mode key. (e.g. TV)
 - 7.2.4. Press "CH-" key.
 - 7.2.5. Device mode indicators will flash **twice** and setting Punch through mode will exit if the setting is deactivated.
 - 7.2.6. Example: Punch through Channel is deactivated in TV device mode.

Note:

- If same device mode key is pressed **twice** during activate process (7.1), device mode indicators flash **six times**, the setting Punch through mode will exit and without change punch through status. Channel includes "CH+" and "CH-" key.
-

- 7.3. To activate the Punch through Volume setting:**
 - 7.3.1. Hold down "CH+" and "VOL-" keys on the remote simultaneously for 2 seconds until you hear two beep tones. Upper four device mode keys(TV, DVD, SAT, VCR) will light up. Lower function key back light.
 - 7.3.2. Enter "1", "1", "1", "1", "0" Punch through code. Upper four device mode key indicators (TV, DVD, SAT, VCR) flash once and then stay on continuously.
 - 7.3.3. Press desired device mode key. (e.g. TV)
 - 7.3.4. Press "VOL+" key.
 - 7.3.5. Press desired volume code device mode key (e.g. AUX1)
 - 7.3.6. Device mode indicators will flash **twice** and setting Punch through mode will exit if the setting is activated.
 - 7.3.7. Example: AUX1 volume code is set on TV mode.

7.4. To deactivate the Punch through Volume setting:

- 7.4.1. Hold down "CH+" and "VOL-" keys on the remote simultaneously for 2 seconds until two beep sound. Upper four device mode keys (TV, DVD, SAT, VCR) will light up.
Lower function key backlight.
- 7.4.2. Enter "1", "1", "1", "0" Punch through code. Upper four device mode keys indicator (TV, DVD, SAT, VCR) flash once and then keep on.
- 7.4.3. Press desired device mode key. (e.g. TV)
- 7.4.4. Press "VOL-" key.
- 7.4.5. Device mode indicators will flash **twice** and setting Punch through mode will exit if the setting is deactivated.
- 7.4.6. Example: Punch through volume is deactivated in TV device mode.

Note:

- Setting in punch through mode volume includes "VOL+", "VOL-" and "MUTE" key.
-